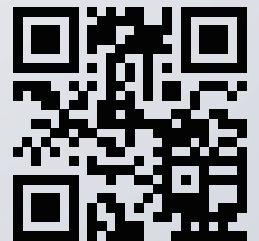
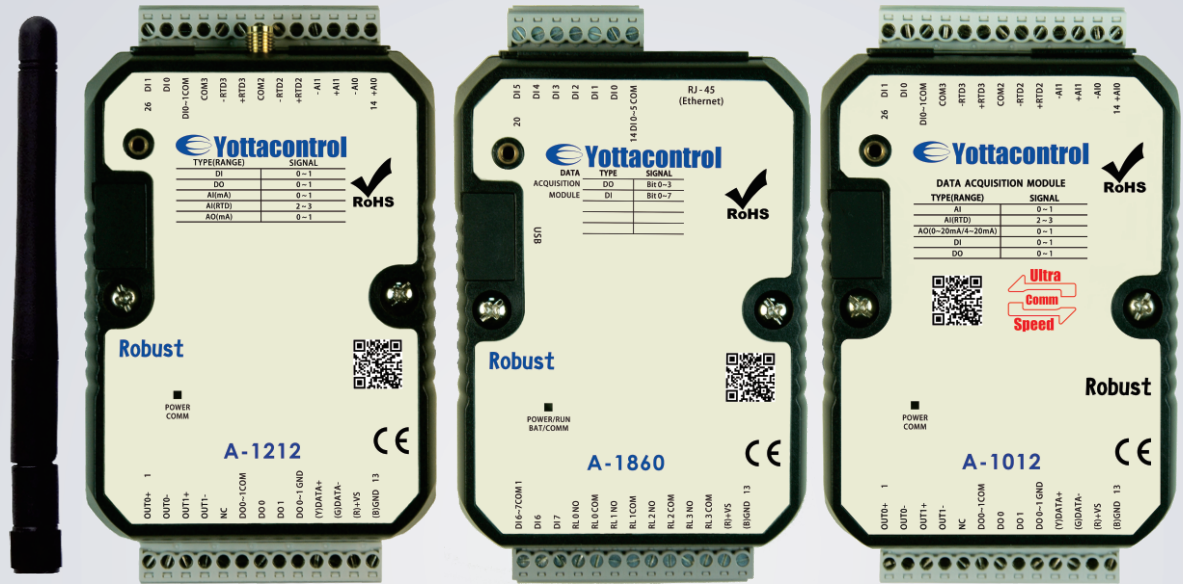


A Series Remote Modules

Catalogue • 2023. 03



WIFI/ETHERNET/RS-485 Remote Modules

eAutomation Solution

 Yottacontrol Co.

Remote Modules

WIFI Analog I/O Remote Modules

A-12x Series/A-3290



OVERVIEW

- ※ Analog Input 16-bit Resolution ,Burn-out Detection
- ※ Analog Output 12-bit Resolution
- ※ Support Analog Input/Output 0/4 ~20mA or 0~10V
- ※ Support PT-100 Or PT-1000 (2/3/4-wired)
- ※ Support J, K, T, E, R, S, B Thermocouple
- ※ Support 10K/6.8K/4.7K/3.3K/2.7K/2.252K/2.1K/2K/1.5K/1K Thermistor
- ※ WIFI Interface + RS-485 Interface + USB Interface
- ※ Hi-Speed RS-485 Interface (Max 921600bps)
- ※ Standard 2.4GHz IEEE 802.11 b/g (Wi-Fi)
- ※ Built-in Step Motor Driver, Connect Directly
- ※ Output Over Current Protection (OCP)
- ※ Output Over Thermal Protection (OTP)
- ※ Output Under Voltage Lockout (UVLO)
- ※ Support MODBUS TCP/IP, UDP/IP ,RTU ,ASCII
- ※ Able To Connect Wi-Fi AP, Internet Of Things (IOT), Industry 4.0
- ※ A-3290 Can Be Directly Connected To The Control Output, Without Any Controller
- ※ Free Monitor PC Software "YottaUtility"



For more information, please refer to www.yottacontrol.com

Type	A-1251 DI	A-1212 A-1213 ADIO	A-1219 A-1220 ADIO	A-1255/ A-1255S ADIO	A-1260 ADIO	A-1269 ADIO	A-3290 Wi-Fi Two-Way communicate Transmitter
Operation Voltage	10~30VDC/24VAC	10~30VDC/24VAC	10~30VDC/24VAC	10~30VDC/24VAC	10~30VDC/24VAC	10~30VDC/24VAC	AA Battery *2
Inputs	16*Isolation DI status low:<1VDC status high:>5~30VDC	2*Isolation DI status low:<1VDC status high:>5~30VDC	4*Isolation DI status low:<1VDC status high:>5~30VDC	8*Isolation DI status low:<1VDC status high:>5~30VDC	7*Isolation DI status low:<1VDC status high:>5~30VDC	---	7*Isolation DI
Outputs	---	2*(Transistor)	---	4*(Motor Driver) 4*(Source Driver)	4*(Power Relay)	8*(Power Relay)	---
Continuous Current	---	10-35VDC(1A)	---	8-60VDC(1.75A) /10-40VDC(1A)	250VAC(7A) /30VDC(7A)	250VAC(5A) /30VDC(5A)	---
Communication Baud Rate	2400~921600bps						WIFI b/g
Isolation	YES(5000VDC)						
Input Operating Frequency	10HZ						5HZ
Output Operating Frequency	Transistor:10HZ						---
Operation Temperature	-20 to +75 °C						-20 to +75 °C
Degree Of Protection	IP20						IP66
Installation	35 mm DIN rail or Flush mounting						---
Dimension (W x H x D mm)	76.4*118.2*38.5 mm						120*55*30 mm
Analog Inputs	---	4 (16-bit)	8 (16-bit)	---	4 (12-bit)	---	---
Analog Input Type	---	2*0/4~20mA 2*0/2~10V 2*PT-100/1000 (-200~+600°C)	0/4~20mA, J,K,T,E,R ,S,B,Thermistor (-270~+1800°C) 0/2~10V	---	4* 0~10V	---	---
Analog Outputs	---	2 (12-bit)	---	---	---	---	---
Analog Output Type	---	0/4 ~20mA	---	---	---	---	---
Input Impedance	---	Current: 100 Ω RTD : 10 MΩ	Current: 100 Ω Voltage : 10 MΩ	---	Voltage:10 MΩ	---	---
Analog Input / Output Accuracy	---	±0.1% / ±1%	±0.1% / ---	---	±1% / ---	---	---
Interface	WIFI + RS-485 + USB						WIFI + USB
Channel Independent Configuration	YES						---
Sampling Rate	AI/AO: 10sample/second(total) ; DI/DO:100sample/second(total)						---
CMR @ 50/60 Hz	120 dB						---
Span Drift	±50 ppm/°C						---
Zero Drift	±18 μV/°C						---
Temperature Ranges	(PT-100:-200~600°C) (PT-1000:-200~600°C) (J:-210~760°C) (K:-270~1370°C) (T:-270~400°C) (E:-270~1000°C) (R:0~1750°C) (S:0~1750°C) (B:0~1800°C) (Thermistor-10K-T2:0~100°C) (Thermistor-10K-T3:0~100°C) (Thermistor-6.8K:-10~100°C) (Thermistor-4.7K:-10~100°C) (Thermistor-3.3K:-20~100°C) (Thermistor-3K:-20~100°C) (Thermistor-2.7K:-20~100°C) (Thermistor-2.252K:-20~100°C) (Thermistor-2.1K:-30~100°C) (Thermistor-2K:-30~100°C) (Thermistor-1.5K:-40~100°C) (Thermistor-1K:-40~100°C)						

Sky blue background with white letters is the difference for the models in the same field.

Remote Modules

ETHERNET Analog I/O Remote Modules



A-18x Series

2

OVERVIEW

- ※ Analog Input 16-bit Resolution
- ※ Analog Output 12-bit Resolution
- ※ Support Analog Input/Output 0/4 ~20mA or 0-10V
- ※ Support PT-100 Or PT-1000 (2/3/4-wired)
- ※ Support J, K, T, E, R, S, B Thermocouple
- ※ Support 10K/6.8K/4.7K/3.3K/3K/2.7K/2.252K/2.1K/2K/1.5K/1K Thermistor
- ※ Burn-out Detection
- ※ Ethernet Interface + USB Interface
- ※ Supports 8 Independent Sockets Simultaneously
- ※ Remote Monitoring And Control With Mobile Devices
- ※ Built-in Step Motor Driver, Connect Directly
- ※ Output Over Current Protection (OCP)
- ※ Output Over Thermal Protection (OTP)
- ※ Output Under Voltage Lockout (UVLO)
- ※ Support MODBUS TCP/IP, MODBUS RTU
- ※ Flexible User-defined Modbus address
- ※ Support LAN 10/100 Mbps Communication Rate
- ※ Free Monitor PC Software "YottaUtility"



For more information, please refer to www.yottacontrol.com

Type	A-1851	A-1812	A-1819	A-1855/A-1855S	A-1860	A-1869
	DI	AIO	AIO	DIO	DIO	DIO
Operation Voltage	10~30VDC/24VAC	10~30VDC/24VAC	10~30VDC/24VAC	10~30VDC/24VAC	10~30VDC/24VAC	10~30VDC/24VAC
Inputs	16*Isolation DI status low:<1VDC status high:>5~30VDC	2*Isolation DI status low:<1VDC status high:>5~30VDC	---	8*Isolation DI status low:<1VDC status high:>5~30VDC	8*Isolation DI status low:<1VDC status high:>5~30VDC	---
Outputs	---	---	---	4*(Motor Driver/Source)	4*(Power Relay)	8*(Power Relay)
Continuous Current	---	---	---	8-60VDC(1.75A) /10-40VDC(1A)	250VAC(7A)/30VDC(7A)	250VAC(7A)/30VDC(7A)
Communication Baud Rate	10/100Mbps					
Isolation	YES(5000VDC)					
Input Operating Frequency	10HZ					
Output Operating Frequency	Transistor:10HZ					
Operation Temperature	-20 to +75 °C					
Degree Of Protection	IP20					
Installation	35 mm DIN rail or Flush mounting					
Dimension (W x H x D mm)	76.4*118.2*38.5 mm					
Analog Inputs	---	4 (16-bit)	8 (16-bit)	---	---	---
Analog Input Type	---	2* 0/4~20mA 2* PT-100/1000 (-200 ~ +600°C)	0/4~20mA, J, K, T, E, R , S, B, Thermistor (-270 ~ +1800°C)	---	---	---
Analog Outputs	---	2 (12-bit)	---	---	---	---
Analog Output Type	---	0/4 ~20mA	---	---	---	---
Input Impedance	---	Current: 100 Ω RTD : 10 MΩ	Current: 100 Ω Voltage : 10 MΩ	---	---	---
Analog Input /Output Accuracy	---	±0.1% / ±1%	±0.1% / ---	---	---	---
Interface	Ethernet + USB					
Channel Independent Configuration	YES					
Sampling Rate	AI/AO: 10sample/second(total) ; DI/DO:100sample/second(total)					
CMR @ 50/60 Hz	120 dB					
Span Drift	±50 ppm/°C					
Zero Drift	±18 μV/°C					
Temperature Ranges	(PT-100:-200~600°C) (PT-1000:-200~600°C) (J:-210~760°C) (K:-270~1370°C) (T:-270~400°C) (E:-270~1000°C) (R:0~1750°C) (S:0~1750°C) (B:0~1800°C) (Thermistor-10K-T2:0~100°C) (Thermistor-10K-T3:0~100°C) (Thermistor-6.8K:-10~100°C) (Thermistor-4.7K:-10~100°C) (Thermistor-3.3K:-20~100°C) (Thermistor-3K:-20~100°C) (Thermistor-2.7K:-20~100°C) (Thermistor-2.252K:-20~100°C) (Thermistor-2.1K:-30~100°C) (Thermistor-2K:-30~100°C) (Thermistor-1.5K:-40~100°C) (Thermistor-1K:-40~100°C)					

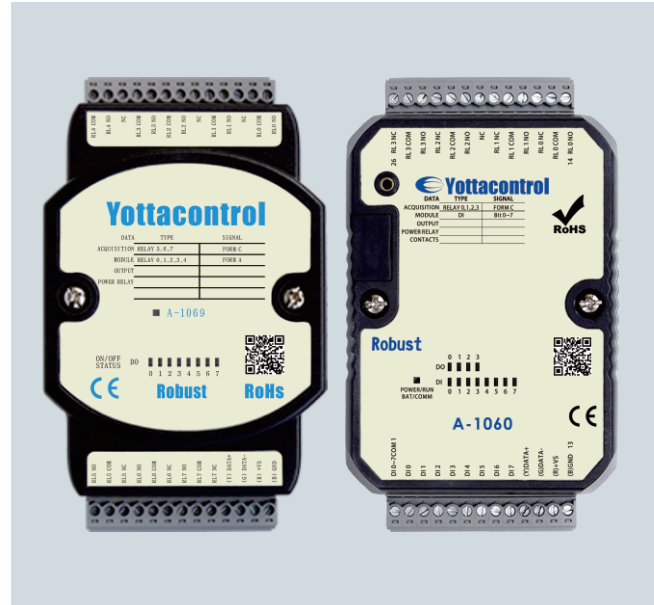
Remote Modules

RS-485 I/O Remote Modules

A-10x Series

OVERVIEW

- ※ Use for Yottacontrol Whole Series Controller
- ※ RS-485 Interface
- ※ Supports Modbus RTU / ASCII
- ※ LED Indicator
- ※ Operation Temperature -20~+75°C
- ※ Isolation Voltage: 5000 V DC
- ※ Surge , EFT And ESD Protection
- ※ Dual Watchdog Timer
- ※ Low Power Indicator
- ※ Operation Range: Up To 1200 Meters
- ※ Free Monitor PC Software "YottaUtility"



For more information, please refer to www.yottacontrol.com

Type	A-1057	A-1058	A-1068	A-1069	A-1051	A-1051+ (isolated RS485) DIO
Operation Voltage	10~30VDC/24VAC	10~30VDC/24VAC	10~30VDC/24VAC	10~30VDC/24VAC	10~30VDC/24VAC	10~30VDC/24VAC
Inputs	---	---	---	---	16*Isolation DI status low:<1VDC status high:>5~30VDC	16*Isolation DI status low:<1VDC status high:>5~30VDC
Outputs	12 (Souce Transistor)	12 (Sink Transistor)	8 (Signal Relay)	8 (Power Relay)	---	---
Continuous Current	10-35VDC(1A)	10-40VDC(200mA)	120VAC(0.5A)/30VDC(1A)	250VAC(5A)/30VDC(1A)	---	---
Communication Baud Rate	1200~115200bps					
Isolation	YES(5000VDC)					
Input Operating Frequency	10HZ					
Output Operating Frequency	Relay:10HZ / Transistor:10HZ					
Operation Temperature	-20 to +75 °C					
Degree Of Protection	IP20					
Installation	35 mm DIN rail or Flush mounting					
Dimension (W x H x D mm)	76.4*118.2*38.5 mm					

Type	A-1055	A-1055S	A-1060	A-1080 (Lighting Relay Controller)
Operation Voltage	10~30VDC/24VAC	10~30VDC/24VAC	10~30 VDC/24VAC	10~30 VDC/24VAC
Inputs	8*Isolation DI status low:<1VDC status high:>5~30VDC	8*Isolation DI status low:<1VDC status high:>5~30VDC	8*Isolation DI status low:<1VDC status high:>5~30VDC	
Outputs	8 (Sink Transistor)	8 (Souce Transistor)	4 (Power Relay)	8 (HID Relay)
Continuous Current	10-35VDC(200mA)	10-35VDC(1A)	250VAC(5A)/30VDC(5A)	
Communication Baud Rate	1200~115200bps			2400~921600bps
Isolation	YES(5000VDC)			YES(5000VDC)
Input Operating Frequency	10HZ			10HZ
Output Operating Frequency	Relay:10HZ/Transistor:10HZ			Function Key:8
Operation Temperature	-20 to +75°C			-20 to +75°C
Degree Of Protection	IP20			IP20
Installation	35mm DIN rail or Flush mounting			35mm DIN rail or Flush mounting
Dimension (W x H x D mm)	76.4*118.2*38.5 mm			76.4*118.2*38.5 mm

Remote Modules

RS-485 Analog I/O Remote Modules

A-10x Series

4

OVERVIEW

- ※ Analog Input 16-bit Resolution
- ※ Analog Output 12-bit Resolution
- ※ Support Analog Input/Output 0/4 ~20mA Or 0~10V
- ※ Support PT-100 Or PT-1000 (2/3/4-wired)
- ※ Support J, K, T, E, R, S, B Thermocouple
- ※ Support 10K/6.8K/4.7K/3.3K/3K/2.7K/2.252K/2.1K/2K/1.5K/1K Thermistor
- ※ Burn-out Detection
- ※ RS-485 Interface + USB Interface
- ※ Hi-Speed RS-485 Interface (Max 921600bps)
- ※ Supports Modbus RTU / ASCII
- ※ LED Indicator
- ※ Operation Temperature -20~+75°C
- ※ Isolation Voltage: 5000 V DC
- ※ Surge , EFT And ESD Protection
- ※ Dual Watchdog Timer
- ※ Low Power Indicator
- ※ Operation Range: Up To 1200 Meters
- ※ Free PC Software "YottaUtility "



For more information, please refer to www.yottacontrol.com

Type	A-1010 A-1010+ ADIO	A-1012 A-1012+ ADIO	A-1013 ADIO	A-1019 A-1019+ ADIO	A-1020 ADIO	A-1036+ AO	A-1038+ AO
Operation Voltage	10~30VDC/24VAC	10~30VDC/24VAC	10~30VDC/24VAC	10~30VDC/24VAC	10~30VDC/24VAC	10~30VDC/24VAC	10~30VDC/24VAC
Inputs	---	2*Isolation DI status low:<1VDC status high:>5~30VDC	2*Isolation DI status low:<1VDC status high:>5~30VDC	4*Isolation DI status low:<1VDC status high:>5~30VDC	4*Isolation DI status low:<1VDC status high:>5~30VDC	---	---
Outputs	4*(Transistor)	2*(Transistor)	2*(Transistor)	---	---	---	---
Continuous Current	10-40VDC(200mA)	10-35VDC(1A)	10-35VDC(1A)	---	---	---	---
Communication Baud Rate	2400~921600bps						
Isolation	YES(5000VDC)						
Input Operating Frequency	10HZ						
Output Operating Frequency	Transistor:10HZ						
Operation Temperature	-20 to +75 °C						
Degree Of Protection	IP20						
Installation	35 mm DIN rail or Flush mounting						
Dimension (W x H x D mm)	76.4*118.2*38.5 mm						
Analog Inputs	8 (10-bit)	4 (16-bit)	4 (16-bit)	8 (16-bit)	8(16-bit)	---	---
Analog Input Type	0~10V	2*0/4~20mA isolated 2*PT-100/1000 (-200~+600°C)	2*0/2~10V 2*PT-100/1000 (-200~+600°C)	0/4~20mA isolated J,K,T,E ,R,S,B Thermistor (-270~+1800°C)	0/2~10V	---	---
Analog Outputs	2(10-bit)	2(12-bit)	2(12-bit)	---	---	6(12-bit)	8(12-bit)
Analog Output Type	0~10V	0/4~20mA	0/2~10V	---	---	0/4~20mA	0/2~10V
Input Impedance	Voltage:10 MΩ	Current:100Ω RTD: 10MΩ	Current:100Ω RTD: 10MΩ	Current:100Ω Voltage: 10MΩ	---	---	---
Analog Input / Output Accuracy	±1%/±1%	±0.1%/±1%	±0.1%/±1%	±0.1%/ ---	±0.1%/ ---	±0.1%/ ---	±0.1%/ ---
Interface	RS-485 (isolataed)	RS-485 (isolataed) +USB	RS-485+USB	RS-485 (isolataed) +USB	RS-485+USB	RS-485 (isolataed)	RS-485 (isolataed)
Channel Independent Configuration	YES						
Sampling Rate	AI/AO: 10sample/second(total) ; DI/DO:100sample/second(total)						
CMR @ 50/60 Hz	120 dB						
Span Drift	±50 ppm/°C						
Zero Drift	±18 μV/°C						
Temperature Ranges	(PT-100:-200~600°C) (PT-1000:-200~600°C) (J:-210~760°C) (K:-270~1370°C) (T:-270~400°C) (E:-270~1000°C) (R:0~1750°C) (S:0~1750°C) (B:0~1800°C) (Thermistor-10K-T2:0~100°C) (Thermistor-10K-T3:0~100°C) (Thermistor-6.8K:-10~100°C) (Thermistor-4.7K:-10~100°C) (Thermistor-3.3K:-20~100°C) (Thermistor-3K:-20~100°C) (Thermistor-2.7K:-20~100°C) (Thermistor-2.252K:-20~100°C) (Thermistor-2.1K:-30~100°C) (Thermistor-2K:-30~100°C) (Thermistor-1.5K:-40~100°C) (Thermistor-1K:-40~100°C)						

Sky blue background with white letters is the difference for the models in the same field.

Remote Modules

RS-485 I/O Remote Modules

A-1080 Lighting Relay Controller

OVERVIEW

- ※ Can Be Used In Building Lighting, Street Lighting, Hotel Lighting, To Measure Up Better Energy Control
- ※ N + 1 Wiring Lighting Output Control
- ※ Manual Control Switch At Each Point And Long Distance Remote Control From The Control Room
- ※ LED Status Indicator
- ※ Can Be Installed With DIN And Secured With Screw
- ※ The Module Can Use AC-24V To Supply Electricity To Reduce The Cost
- ※ Can Be Omitted Lighting Electrical Engineering Part Of The Secondary Circuit Transformation
- ※ Use For Yottacontrol Whole Series Controller
- ※ RS-485 Interface
- ※ Supports Modbus RTU / ASCII
- ※ Operation Temperature -20~+75°C
- ※ Isolation Voltage: 5000 V DC
- ※ Surge , EFT And ESD Protection
- ※ Dual Watchdog Timer
- ※ Low Power Indicator
- ※ Operation Range: Up To 1200 Meters
- ※ Free Monitor PC Software "Yotta Utility"



For More Information, Please Refer To

www.yottacontrol.com

Type	A-1080 (Lighting Relay Controller)
Operation Voltage	10-30VDC/24VAC
Outputs(Isolation)	8
Communication Baud Rate	2400-921600bps
Isolation	Yes(5000VDC)
Output Operating Frequency	10HZ
Operation Temperature	-20 to +75 °C
Degree Of Protection	IP20
Function Key	8
Installation	35 mm DIN Rail or Flush Mounting
Dimension (W x H x D mm)	76.4*118.2*39 mm

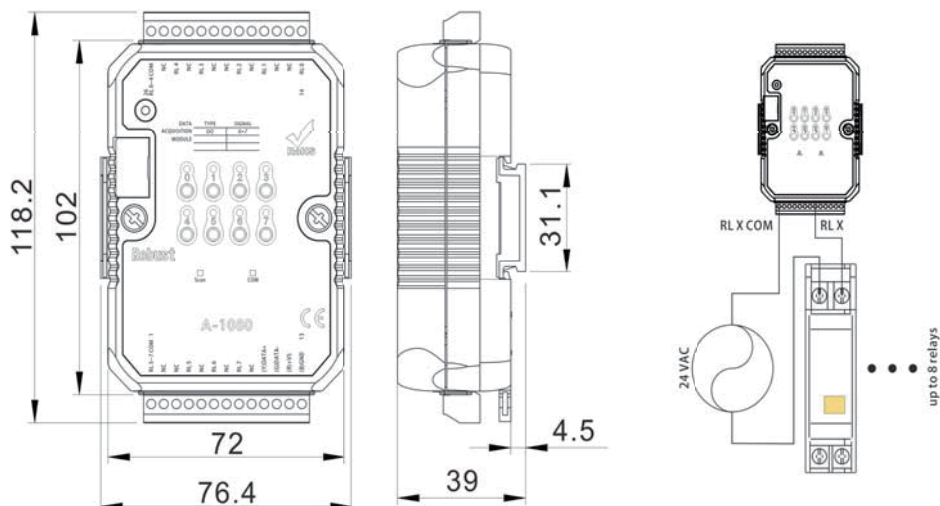
Address Mapping

Supported Modbus Code: 01/02/05/15

Address :00017~00024

0~7 Digital Output Value

Dimension & Wiring Diagrams



Monitoring and Database Software

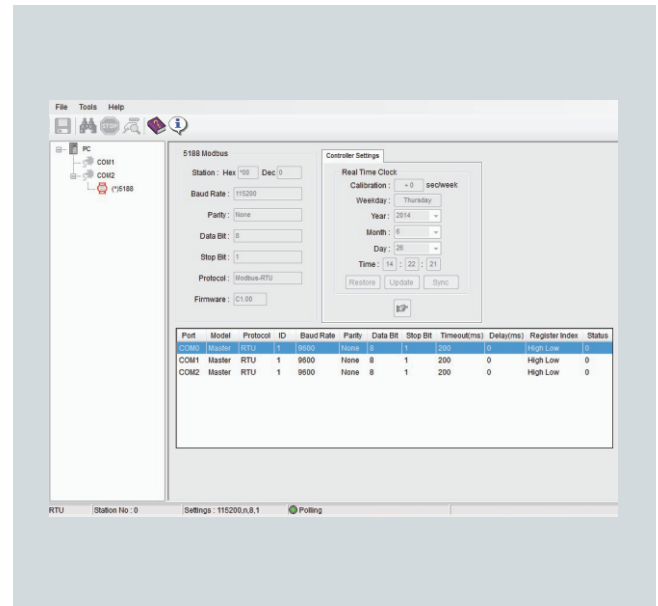
DCS Monitoring and Database Software

YottaUtility

6

OVERVIEW

- ※ Monitor & Database Function
- ※ Use For Yottacontrol Whole Series Controller And TS-48 Time Switch
- ※ Windows98/ME/2000/XP/Vista/7/8/10
- ※ Quick Setup Distributed Device Parameter & Monitoring
- ※ Can Monitor DCS Program & Parameters
- ※ Can Monitor PLC Program & Parameters
- ※ Monitor & Database Can Use For SCADA
- ※ Real-Time Monitoring, Warning Setup
- ※ Monitor Hundreds Controllers & Distributed Devices
- ※ Component Name Comment
- ※ Easy Logical Program Function
- ※ Time Switch Series Edit
- ※ Multi Communicate Parameter Function
- ※ Support MODBUS TCP-IP/UDP-IP/RTU/ASCII
- ※ Quick Setup Controller RTC Parameter



For more information, please refer to
www.yottacontrol.com

APPLICATIONS

ELECTRONIC EQUIPMENT

- SORTING MACHINE
- LOADER & UNLOADER
- PACKAGING MACHINE
- DETECTOR
- CUTTING MACHINE
- LAMINATOR
- COATING MACHINE
- LAPPING MACHINE
- FEEDING SYSTEM
- PRECISION MACHINERY

ELECTROMECHANICAL EQUIPMENT

- SPRAYING MACHINE
- EVAPORATION
- MACERATOR
- CALENDER MACHINE
- FLUSHING MACHINE
- ELECTROPLATING MACHINE
- WELDING MACHINE
- PRESS MACHINE
- CUTTING MACHINE
- BENDING MACHINE
- BOBBIN MACHINE
- BURN-IN EQUIPMENT
- DIE CASTER
- HEATING PROCESSING

FOOD & BEVERAGE

- PACKAGING MACHINE
- SEAL-CAPPING MACHINE
- LABELLING MACHINE
- FORMING MACHINE
- BLENDER EQUIPMENT
- CASING MACHINE
- FILLING MACHINE
- DRYER EQUIPMENT
- WEIGHT SEPARATOR
- CAPPING MACHINE
- INJECTION MACHINE
- TEMPERATURE-CONTROL

Ordering Information

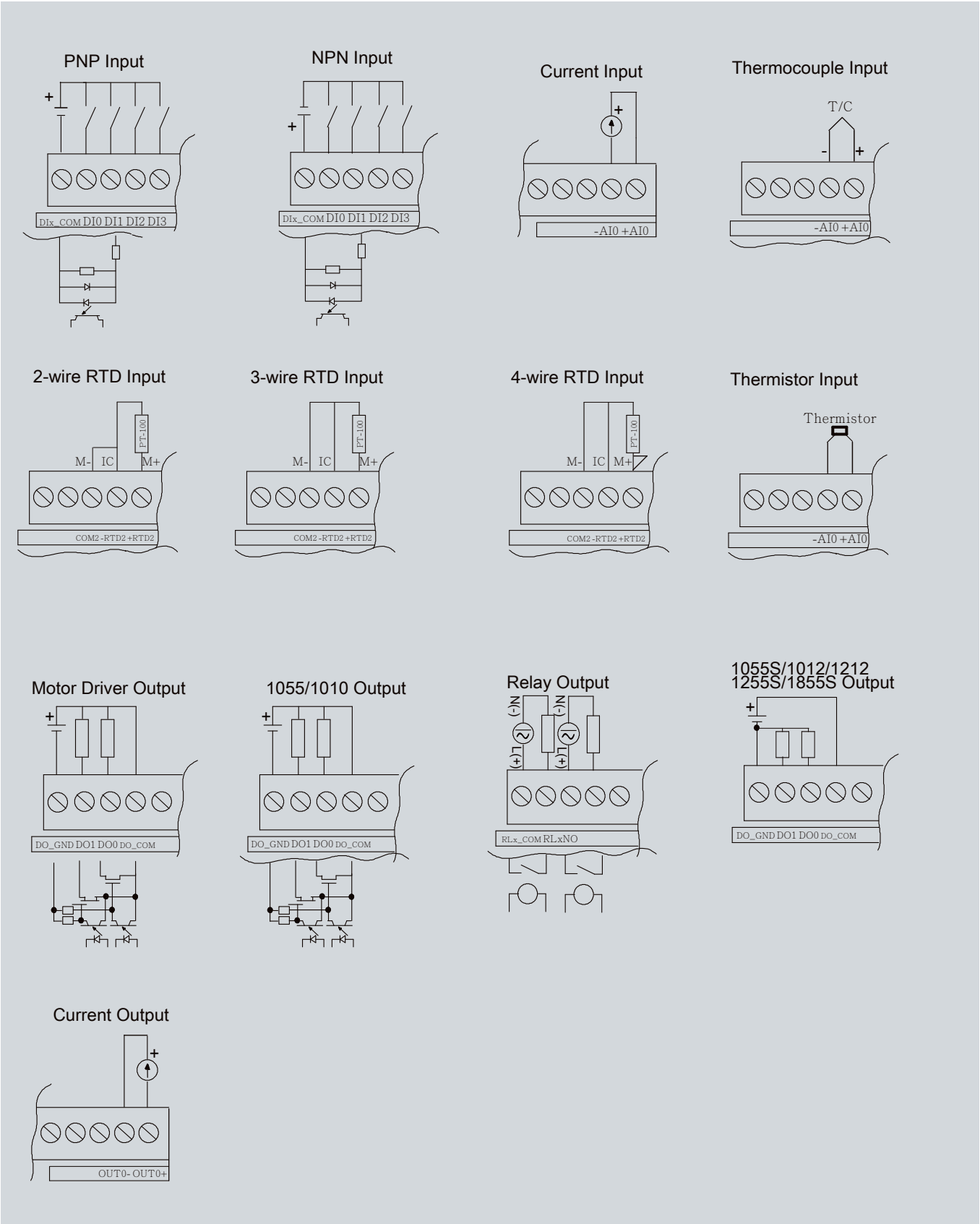
Yottacontrol Remote Modules

WIFI Remote Modules		
1212	WIFI ADIO Remote Modules,4AI(0~20/4~20mA + PT-100/1000),2AO(0~20/4~20mA),2DI,2DO(Source Output),WIFI*1,RS-485*1,USB*1	A-1212
1213	WIFI ADIO Remote Modules,4AI(0/2~10V + PT-100/1000),2AO(0/2~10V),2DI,2DO(Source Output),WIFI*1,RS-485*1,USB	A-1213
1219	WIFI ADIO Remote Modules,8AI(0~20/4~20mA,J,K,T,E,R,S,B,Thermistor),4DI,WIFI*1,RS-485*1,USB*1	A-1219
1251	WIFI DI Remote Modules,16DI,WIFI*1,RS-485*1,USB*1	A-1251
1255	WIFI ADIO Remote Modules,8DI/4DO/4AI(0~10V),Motor Driver Output,WIFI*1,RS-485*1,USB*1	A-1255
1260	WIFI ADIO Remote Modules,7DI/4DO/4AI(0~10V),Power Relay Output,WIFI*1,RS-485*1,USB*1	A-1260
1269	WIFI ADIO Remote Modules,8DO/4AI(0~10V),Power Relay Output,WIFI*1,RS-485*1,USB*1	A-1269
1255S	WIFI ADIO Remote Modules,8DI/4DO/4AI(0~10V),Source Output,WIFI*1,RS-485*1,USB*1	A-1255S
ETHERNET Remote Modules		
1812	ETHERNET ADIO Remote Modules,4AI(0~20/4~20mA + PT-100/1000),2AO(0~20/4~20mA),2DI,ETHERNET*1,USB*1	A-1812
1819	ETHERNET ADIO Remote Modules,8AI(0~20/4~20mA,J,K,T,E,R,S,B,Thermistor),ETHERNET*1,USB*1	A-1819
1851	ETHERNET DI Remote Modules,16DI,ETHERNET*1,USB*1	A-1851
1855	ETHERNET DIO Remote Modules,8DI/4DO,Motor Driver Output,ETHERNET*1,USB*1	A-1855
1860	ETHERNET DIO Remote Modules,8DI/4DO,Power Relay Output,ETHERNET*1,USB*1	A-1860
1869	ETHERNET DIO Remote Modules,8DO,Power Relay Output,ETHERNET*1,USB*1	A-1869
1855S	ETHERNET DIO Remote Modules,8DI/4DO,Source Driver Output,ETHERNET*1,USB*1	A-1855S
RS-485 Remote Modules		
1057	DO Remote Modules , LED indicator , DC Power Supply , 12DO , Source Output , RS-485*1	A-1057
1058	DO Remote Modules , LED indicator , DC Power Supply , 12DO , Sink Output , RS-485*1	A-1058
1068	DO Remote Modules , LED indicator , DC Power Supply , 8DO , Signal Relay Output , RS-485*1	A-1068
1069	DO Remote Modules , LED indicator , DC Power Supply , 8DO , Power Relay Output , RS-485*1	A-1069
1051+	DI Remote Modules , LED indicator , DC Power Supply , 16DI , RS-485*1(isolated)	A-1051+
1051	DI Remote Modules , LED indicator , DC Power Supply , 16DI , RS-485*1	A-1051
1055	DIO Remote Modules , LED indicator , DC Power Supply , 8DI/8DO , Sink Output , RS-485*1	A-1055
1055S	DIO Remote Modules , LED indicator , DC Power Supply , 8DI/8DO , Source Output , RS-485*1	A-1055S
1060	DIO Remote Modules , LED indicator , DC Power Supply , 8DI/4DO , Power Relay Output , RS-485*1	A-1060
1010+	ADIO Remote Modules , LED indicator , DC Power Supply , 8AI(0~10V) , 2AO(0~10V) , 4DO(Sink Output) , RS-485*1(isolated)	A-1010+
1010	ADIO Remote Modules , LED indicator , DC Power Supply , 8AI(0~10V) , 2AO(0~10V) , 4DO(Sink Output) , RS-485*1	A-1010
1012+	ADIO Remote Modules , LED indicator , DC Power Supply , 4AI(0/4~20mA+PT100/1000) , 2AO(0/4~20mA) , 2DI , 2DO(source) , RS-485*1(isolated)	A-1012+
1012	ADIO Remote Modules , LED indicator , DC Power Supply , 4AI(0/4~20mA+PT100/1000) , 2AO(0/4~20mA) , 2DI , 2DO(source) , RS-485*1,USB*1	A-1012
1013	ADIO Remote Modules , LED indicator , DC Power Supply , 4AI(0/2~10V+PT100/1000) , 2AO(0/2~10V) , 2DI , 2DO(source) , RS-485*1,USB*1	A-1013
1019+	ADIO Remote Modules , LED indicator , DC Power Supply , 8AI(0~20/4~20mA,J,K,T,E,R,S,B,Thermistor) , 4DI , RS-485*1(isolated)	A-1019+
1019	ADIO Remote Modules , LED indicator , DC Power Supply , 8AI(0~20/4~20mA,J,K,T,E,R,S,B,Thermistor) , 4DI , RS-485*1,USB*1	A-1019
1020	ADIO Remote Modules , LED indicator , DC Power Supply , 8AI(0~10V)-16bits , 4DI , RS-485*1 , USB*1	A-1020
1036+	AO Remote Modules , LED indicator , DC Power Supply , 6AO(0/4~20mA) , RS-485*1(isolated)	A-1036+
1038+	AO Remote Modules , LED indicator , DC Power Supply , 8AO(0/2~10V) , RS-485*1(isolated)	A-1038+
1080	DO Remote Modules , LED indicator , DC/AC Power Supply , 8DO , HID Relay Output , Input Switch*8 , RS-485*1	A-1080
Wi-Fi Two-Way Communicate Transmitters		
A-3290	WIFI DI Remote Modules,7DI,WIFI*1,USB*1	A-3290
Accessories		
ASPS	Power Supply , 24V/2A	ASPS
CAB-MINIUSB60	Communication lines	CAB-MINIUSB60
CAB89	A-3290 Communication lines	CAB89
Software		
YottaUtility	Monitoring and Database Software	YottaUtility
A-1x USB Driver	A-1x USB PC Driver	DR-A1XUSB
CAB89 USB Driver	A-3290 Communication lines PC Driver	DR-CAB89USB

Wiring Diagrams & Pin Out

Remote Modules

A-1x Series



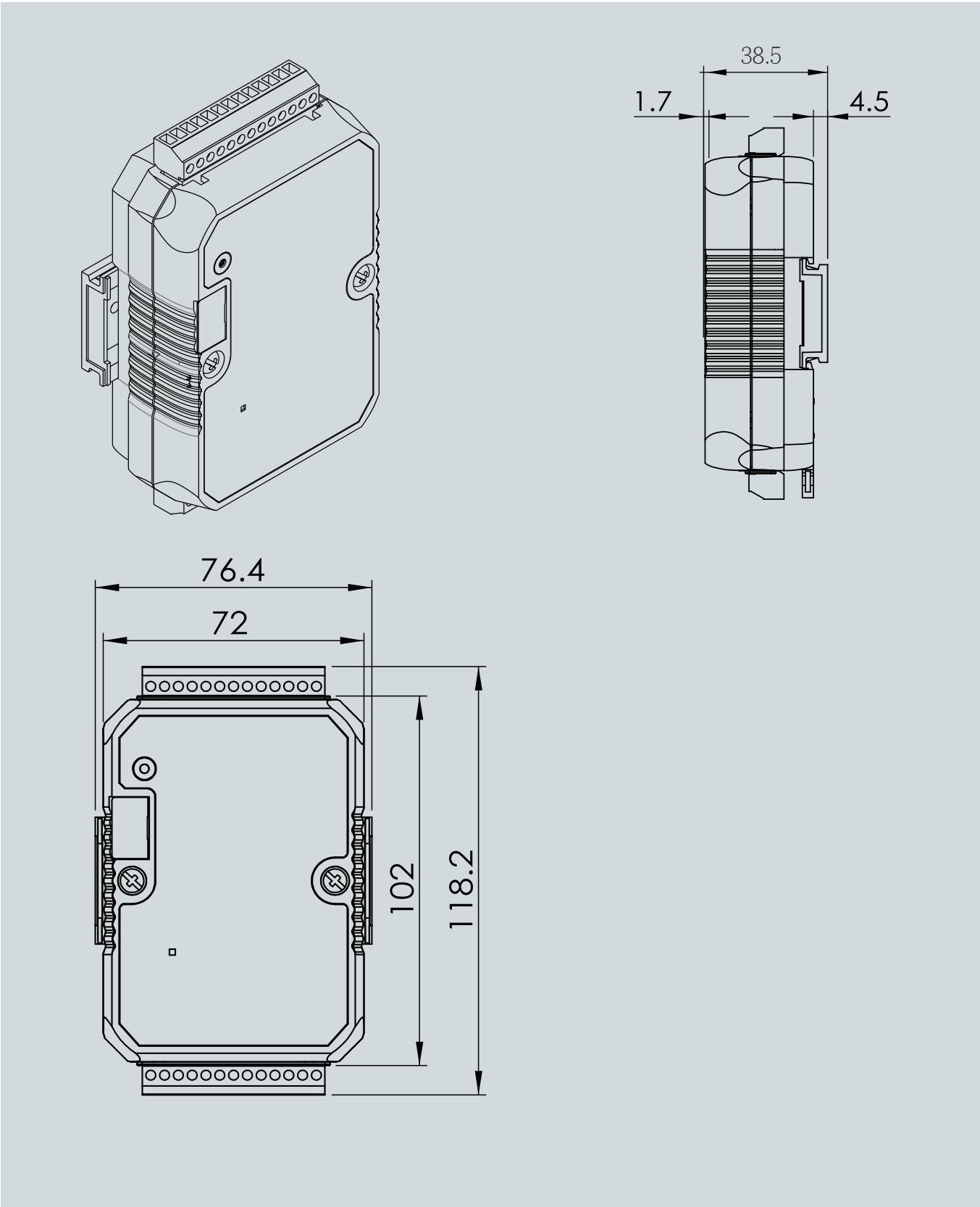
For more information, please refer to www.yottacontrol.com

Dimension

Remote Modules

Remote Modules

Dimension



For more information, please refer to www.yottacontrol.com

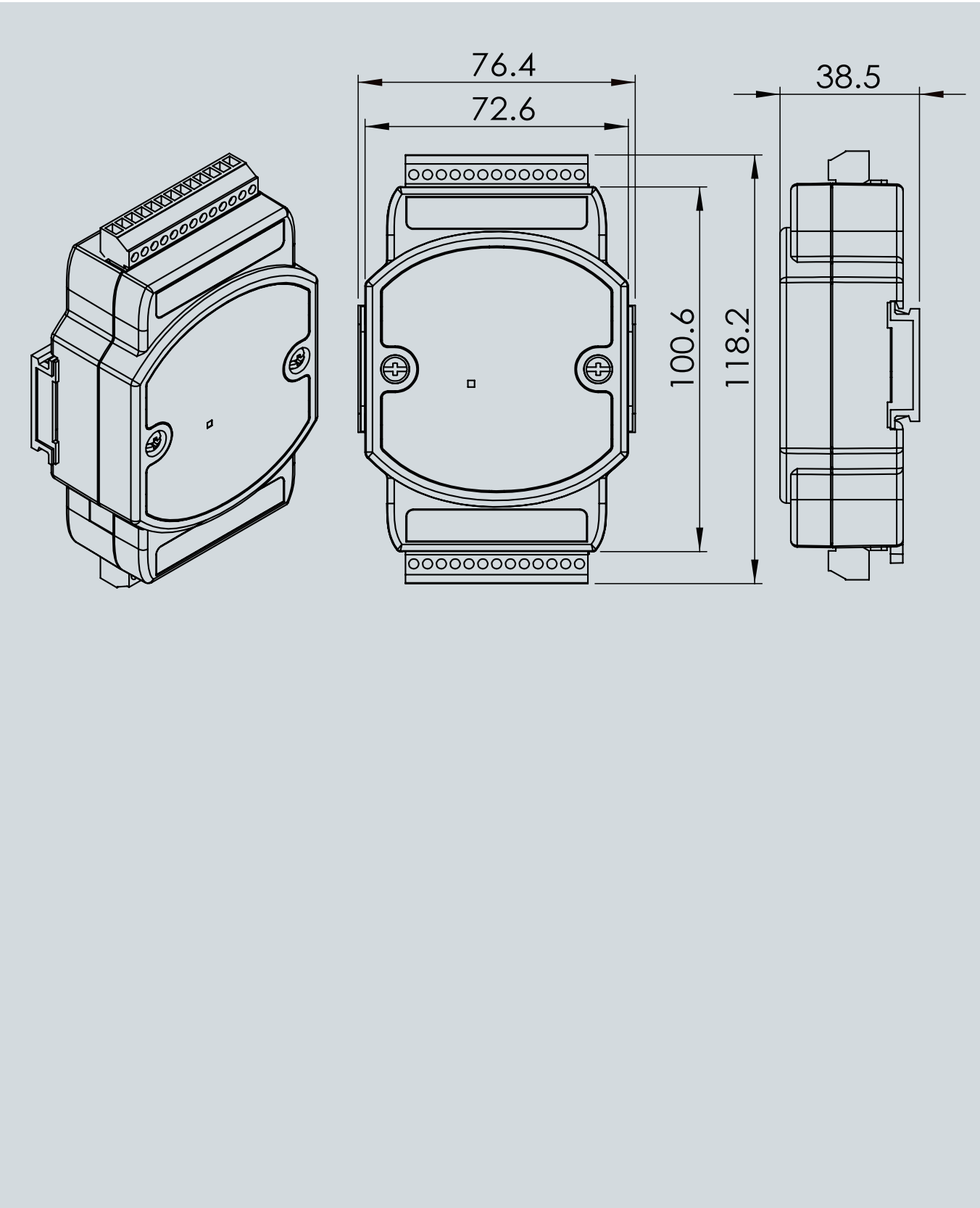
Dimension

Remote Modules

Remote Modules

10

Dimension



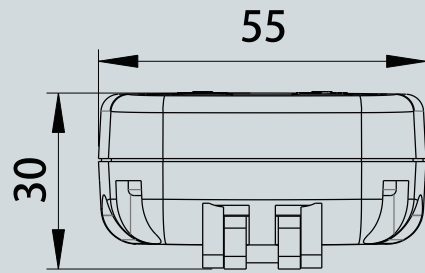
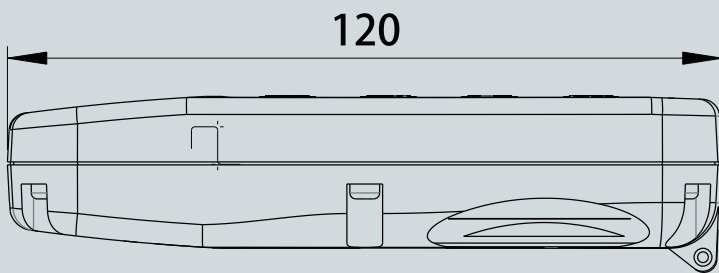
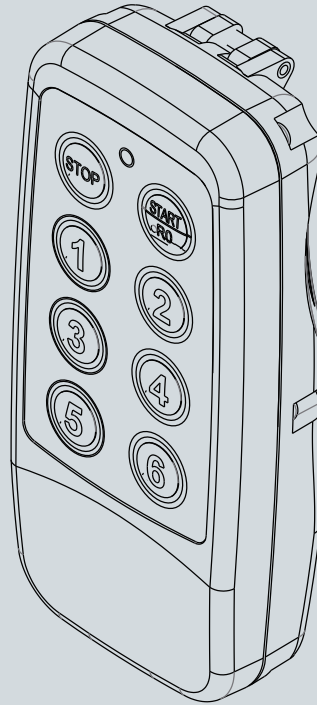
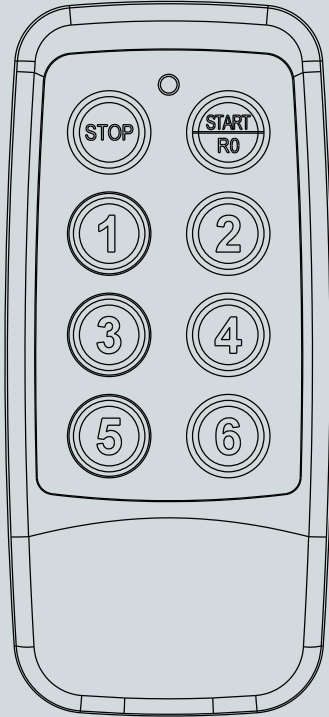
For more information, please refer to www.yottacontrol.com

Dimension

Remote Modules

Remote Modules

Dimension



For more information, please refer to www.yottacontrol.com

Address Mapping

Remote Modules

Remote Modules

Mapping Table

A-1212				
Supported Modbus Code:	01/02/05/15			
Address 0X	Item	NOR	INIT*	NOTE
00001-00002	0-1 DI Input Signal	R	R	
00017-00018	0-1 DO Output Value	R/W	R/W	
00033-00034	0-1 Power On Digital Output Value	R	R/W	
00049-00050	0-1 Communication Fail Safe Value	R	R/W	
00065-00066	0-1 Burn-out Signal	R	R	1:Burn-out (4-20mA only)
00067-00068	2-3 Burn-out Signal	R	R	1:Burn-out
00129-01152	0-1023 Auxiliary Memory (M Flag)	R/W	R/W	
Supported Modbus Code:	03/04/06/16			
Address 4X	Item	NOR	INIT*	NOTE
40001-40002	0-1 Current Input Value	R	R	0-20000:0/4-20mA
40003-40004	2-3 Current Input Value	R	R	0-8000:-200-+600° C
40017-40018	0-1 Current Output Value	R/W	R/W	0-4000:0/4-20mA
40033-40034	Power On Analog Output Value	R	R/W	0-4000:0/4-20mA
40049-40050	0-1 Communication Fail Safe Analog Output Value	R	R/W	0-4000:0/4-20mA
40065-40066	0-1 Input Type Code	R	R/W	0:4-20mA 1:0-20mA
40067-40068	2-3 Input Type Code	R	R/W	0:PT-100 α = 0.00385
				1:PT-100 α = 0.003916
				2:PT-1000 α = 0.00385
				3:PT-1000 α = 0.003916
40081-40082	0-1 Output Type Code	R	R/W	0:4-20mA 1:0-20mA
40097-40098	0-1 Current Input Value	R	R	4/0-20:4/0-20mA
40099-40100	2-3 Current Input Value	R	R	-200-+600:-200-+600° C
40113-40114	0-1 Current Input Value	R	R	4/0-20:4/0-20mA
40115-40116	2-3 Current Input Value	R	R	-328-+1112:-328-+1112° F
40129-40130	0-1 Current Input Value	R	R	40/0-200:4.0/0-20.0mA
40131-40132	2-3 Current Input Value	R	R	-2000-+6000:-200.0-+600.0° C
40145-40146	0-1 Current Input Value	R	R	40/0-200:4.0/0-20.0mA
40147-40148	2-3 Current Input Value	R	R	-3280-+11120:-328.0-+1112.0° F
40161-40164	0-3 Current Input Value	R	R	0-10000:0.00-100.00% of FSR
40177	Communication Fail Safe Time Setting Value	R	R/W	0-65535:Disable-65535msec
40178	All DI Value	R	R	
40211	Module Name 1	R	R	
40212	Module Name 2	R	R	
40213	Version 1	R	R	
40214	Version 2	R	R	
40215-40220	1-6 Mac Serial Number	R	R	
40300	Module's ID In Normal Mode	R	R/W	1-255
40301	Protocol In Normal Mode	R	R/W	0: RTU 1: ASCII
40302	Baud Rate In Normal Mode	R	R/W	1: 2400 bps 2: 4800 bps 3: 9600 bps 4: 14400 bps 5: 19200 bps 6: 28800 bps 7: 38400 bps 8: 57600 bps 9: 115200 bps 10: 230400 bps 11: 460800 bps 12: 921600 bps
40303	Parity Option In Normal Mode			0: None 1: Odd 2: Even
40304	Stop Bits In Normal Mode	R	R/W	0: 1 bit 1: 2 bit
40305	Time Out Setting In Normal Mode	R	R/W	0-65535 msec
40609-40616	0-3 Current Input Value	R	R	32-bit Floating Value (IEEE754)(Float CD AB)
40641-40648	0-3 Current Input Value	R	R	32-bit Deg.C Floating Value (IEEE754)(Float CD AB)
40673-40680	0-3 Current Input Value	R	R	32-bit Deg.F Floating Value (IEEE754)(Float CD AB)
40705-40712	0-3 Current Input Value	R	R	32-bit Floating Value (IEEE754) (Float AB CD)
40737-40744	0-3 Current Input Value	R	R	32-bit Deg.C Floating Value (IEEE754) (Float AB CD)
40769-40776	0-3 Current Input Value	R	R	32-bit Deg.F Floating Value (IEEE754) (Float AB CD)
40801-40808	0-3 Current Input Value	R	R	32-bit Floating Value (IEEE754) (Float BA DC)
40833-40840	0-3 Current Input Value	R	R	32-bit Deg.C Floating Value (IEEE754) (Float BA DC)
40865-40872	0-3 Current Input Value	R	R	32-bit Deg.F Floating Value (IEEE754) (Float BA DC)
40897-40904	0-3 Current Input Value	R	R	32-bit Floating Value (IEEE754) (Float DC BA)
40929-40936	0-3 Current Input Value	R	R	32-bit Deg.C Floating Value (IEEE754) (Float DC BA)
40961-40968	0-3 Current Input Value	R	R	32-bit Deg.F Floating Value (IEEE754) (Float DC BA)
41281-41408	0-127 Analog Auxiliary Memory (AM Flag)	R/W	R/W	0-65535
40401	WIFI Mode	R	R/W	0:AP(default) 1:Remote
40402	WIFI Encryption (WPA2)	R	R/W	0:DISABLE(default) 1:ENABLE
40403-40434	WIFI SSID	R	R/W	Default : 12WIFI
40435-40498	WIFI Password	R	R/W	Default : 88888888
40499	WIFI Channel	R	R/W	0-13 0: Auto(default) / 1-13CH
40500-40503	WIFI IP	R	R/W	IP:x.x.x.x default : 192.168.1.1
40504-40507	WIFI MASK	R	R/W	MASK: x.x.x.x default:255.255.255.0
40508-40511	WIFI GATEWAY	R	R/W	GATEWAY: x.x.x.x Default:192.168.1.1
40512	WIFI MODBUS ID	R	R/W	INIT*: 0, NOR:1-255
40513	WIFI LOCAL PORT	R	R/W	1-65535 Default :502
40514	WIFI REMOTE PORT	R	R/W	1-65535 Default:2000
40515	WIFI DHCP Enable	R	R/W	0:ENABLE(default) 1:DISABLE
40516	WIFI PROTOCOL	R	R/W	0:Modbus TCP/IP(default) 1:Modbus UDP/IP 2:Modbus RTU Over TCP/IP 3:Modbus RTU Over UDP/IP
40517	WIFI TX POWER	R	R/W	0: Auto(default) step:1-12
40518-40523	MAC ADDRESS	R	R	EX: 00-05-5D-E8-0F-A3

For more information, please refer to www.yottacontrol.com

Address Mapping

Remote Modules

Remote Modules

Mapping Table

A-1213				
Supported Modbus Code: 01/02/05/15				
Address 0X	Item	NOR	INIT*	NOTE
00001-00002	0-1 DI Input Signal	R	R	
00017-00018	0-1 DO Output Value	R/W	R/W	
00033-00034	0-1 Power On Digital Output Value	R	R/W	
00049-00050	0-1 Communication Fail Safe Value	R	R/W	
00065-00066	0-1 Burn-out Signal	R	R	1:Burn-out (2-10V only)
00067-00068	2-3 Burn-out Signal	R	R	1:Burn-out
00129-01152	0-1023 Auxiliary Memory (M Flag)	R/W	R/W	
Supported Modbus Code: 03/04/06/16				
Address 4X	Item	NOR	INIT*	NOTE
40001-40002	0-1 Current Input Value	R	R	0-10000:0/2-10V
40033-40034	2-3 Current Input Value	R	R	0-8000:-200-+600° C
40017-40018	0-1 Current Output Value	R/W	R/W	0-4000:0/2-10V
40065-40066	Power On Analog Output Value	R	R/W	0-4000:0/2-10V
40067-40068	0-1 Communication Fail Safe Analog Output Value	R	R/W	0-4000:0/2-10V
40065-40066	0-1 Input Type Code	R	R/W	0:2-10V 1:0-10V
40067-40068	2-3 Input Type Code	R	R/W	0:PT-100 α=0.00385 1:PT-100 α=0.003916 2:PT-1000 α=0.00385 3:PT-1000 α=0.003916
40081-40082	0-1 Output Type Code	R	R/W	0:2-10V 1:0-10V
40097-40098	0-1 Current Input Value	R	R	0-10:0/2-10V
40099-40100	2-3 Current Input Value	R	R	-200+600:-200-+600° C
40113-40114	0-1 Current Input Value	R	R	0-10:0/2-10V
40115-40116	2-3 Current Input Value	R	R	-328-+1112:-328-+1112° F
40129-40130	0-1 Current Input Value	R	R	0-100:0/2-10V
40131-40132	2-3 Current Input Value	R	R	-2000-+6000:-200.0-+600.0° C
40145-40146	0-1 Current Input Value	R	R	0-100:0/2-10V
40147-40148	2-3 Current Input Value	R	R	-3280-+11120:-328.0-+1112.0° F
40161-40164	0-3 Current Input Value	R	R	0-10000:0.00-100.00% ofFSR
40177	Communication Fail Safe Time Setting Value	R	R/W	0-65535:Disable-65535msec
40178	All DI Value	R	R	
40211	Module Name 1	R	R	
40212	Module Name 2	R	R	
40213	Version 1	R	R	
40214	Version 2	R	R	
40215-40220	1-6 Mac Serial Number	R	R	
40300	Module's ID In Normal Mode	R	R/W	1-255
40301	Protocol In Normal Mode	R	R/W	0: RTU 1: ASCII
40302	Baud Rate In Normal Mode	R	R/W	1: 2400 bps 2: 4800 bps 3: 9600 bps 4: 14400 bps 5: 19200 bps 6: 28800 bps 7: 38400 bps 8: 57600 bps 9: 115200 bps 10: 230400 bps 11: 460800 bps 12: 921600 bps
40303	Parity Option In Normal Mode			0: None 1: Odd 2: Even
40304	Stop Bits In Normal Mode	R	R/W	0: 1 bit 1: 2 bit
40305	Time Out Setting In Normal Mode	R	R/W	0-65535 msec
40609-40616	0-3 Current Input Value	R	R	32-bit Floating Value (IEEE754)(Float CD AB)
40641-40648	0-3 Current Input Value	R	R	32-bit Deg.C Floating Value (IEE754)(Float CD AB)
40673-40680	0-3 Current Input Value	R	R	32-bit Deg.F Floating Value (IEE754)(Float CD AB)
40705-40712	0-3 Current Input Value	R	R	32-bit Floating Value (IEEE754) (Float AB CD)
40737-40744	0-3 Current Input Value	R	R	32-bit Deg.C Floating Value (IEE754) (Float AB CD)
40769-40776	0-3 Current Input Value	R	R	32-bit Deg.F Floating Value (IEE754) (Float AB CD)
40801-40808	0-3 Current Input Value	R	R	32-bit Floating Value (IEEE754) (Float BA DC)
40833-40840	0-3 Current Input Value	R	R	32-bit Deg.C Floating Value (IEE754) (Float BA DC)
40865-40872	0-3 Current Input Value	R	R	32-bit Deg.F Floating Value (IEE754) (Float BA DC)
40897-40904	0-3 Current Input Value	R	R	32-bit Floating Value (IEEE754) (Float DC BA)
40929-40936	0-3 Current Input Value	R	R	32-bit Deg.C Floating Value (IEE754) (Float DC BA)
40961-40968	0-3 Current Input Value	R	R	32-bit Deg.F Floating Value (IEE754) (Float DC BA)
41281-41408	0-127 Analog Auxiliary Memory (AM Flag)	R/W	R/W	0-65535
40401	WIFI Mode	R	R/W	0:AP(default) 1:Remote
40402	WIFI Encryption (WPA2)	R	R/W	0:DISABLE(default) 1:ENABLE
40403-40434	WIFI SSID	R	R/W	Default: 12WIFI
40435-40498	WIFI Password	R	R/W	Default: 88888888
40499	WIFI Channel	R	R/W	0- 13 0: Auto(default) / 1-13CH
40500-40503	WIFI IP	R	R/W	IP:x.x.x.x default: 192.168.1.1
40504-40507	WIFI MASK	R	R/W	MASK:x.x.x.x default:255.255.255.0
40508-40511	WIFI GATEWAY	R	R/W	GATEWAY: x.x.x.x Default:192.168.1.1
40512	WIFI MODBUS ID	R	R/W	INIT*: 0_NOR:1-255
40513	WIFI LOCAL PORT	R	R/W	1-65535 Default:502
40514	WIFI REMOTE PORT	R	R/W	1-65535 Default:2000
40515	WIFI DHCP Enable	R	R/W	0:ENABLE(default) 1:DISABLE
40516	WIFI PROTOCOL	R	R/W	0:Modbus TCP/IP(default) 1:Modbus UDP/IP 2:Modbus RTU Over TCP/IP 3:Modbus RTU Over UDP/IP
40517	WIFI TX POWER	R	R/W	0: Auto(default) step :1-12
40518-40523	MAC ADDRESS	R	R	EX: 00-05-5D-E8-0F-A3

For more information, please refer to www.yottacontrol.com

Address Mapping

Remote Modules

Remote Modules

Mapping Table

A-1219				
Supported Modbus Code:	01/02/05/15			
Address 0X	Item	NOR	INIT*	NOTE
00001-00004	0-3 DI Input Signal	R	R	
00065-00072	0-7 Burn-out Signal	R	R	1: Burn-out
00129-01152	0-1023 Auxiliary Memory (M Flag)	R/W	R/W	
Supported Modbus Code:	03/04/06/16			
Address 4X	Item	NOR	INIT*	NOTE
40001-40008	0-7 Current Input Value	R	R	0-20000:0-20mA/4-20mA 0-20700:-270~+1800° C
40065-40072	0-7 Input Type Code	R	R/W	0: 4-20mA 1: 0-20mA 2: J(-210-760° C) 3: K(-270~-1,370° C) 4: T(-270-400° C) 5: E(-270~-1,000° C) 6: R(0~-1,750° C) 7: S(0~-1,750° C) 8: B(0~-1,800° C) 9: 10K-2 Thermistor(0~+100° C) 10: 10K-3 Thermistor(0~+100° C) 11: 6.8K Thermistor(-10~+100° C) 12: 4.7K Thermistor(-10~+100° C) 13: 3.3K Thermistor(-20~+100° C) 14: 3K Thermistor(-20~+100° C) 15: 2.7K Thermistor(-20~+100° C) 16: 2.25K Thermistor(-20~+100° C) 17: 2.1K Thermistor(-30~+100° C) 18: 2K Thermistor(-30~+100° C) 19: 1.5K Thermistor(-40~+100° C) 20: 1K Thermistor(-40~+100° C)
40097-40104	0-7 Current Input Value	R	R	4/0-20:4/0-20mA -270~+1800° C
40113-40120	0-7 Current Input Value	R	R	4/0-20:4/0-20mA -168~+3272:-168~+3272° F
40129-40136	0-7 Current Input Value	R	R	40/0-200:4.0/0-20.0mA -2700~-+18000:-270.0~-+1800.0° C
40145-40152	0-7 Current Input Value	R	R	40/0-200:4.0/0-20.0mA -1680~+32720:-168.0~+3272.0° F
40161-40168	0-7 Current Input Value	R	R	0-10000:0.00-100.00% of FSR
40178	All DI Value	R	R	
40211	Module Name 1	R	R	
40212	Module Name 2	R	R	
40213	Version 1	R	R	
40214	Version 2	R	R	
40215-40220	1-6 Mac Serial Number	R	R	
40300	Module's ID In Normal Mode	R	R/W	1-255
40301	Protocol In Normal Mode	R	R/W	0: RTU 1: ASCII
40302	Baud Rate In Normal Mode	R	R/W	1: 2400 bps 2: 4800 bps 3: 9600 bps 4: 14400 bps 5: 19200 bps 6: 28800 bps 7: 38400 bps 8: 57600 bps 9: 115200 bps 10: 230400 bps 11: 460800 bps 12: 921600 bps
40303	Parity Option In Normal Mode	R	R/W	0: None 1: Odd 2: Even
40304	Stop Bits In Normal Mode	R	R/W	0: 1 bit 1: 2 bit
40305	Time Out Setting In Normal Mode	R	R/W	0-65535 msec
40609-40624	0-7 Current Input Value	R	R	32-bit Floating Value (IEEE754)(Float CD AB)
40641-40656	0-7 Current Input Value	R	R	32-bit Deg.C Floating Value (IEEE754)(Float CD AB)
40673-40688	0-7 Current Input Value	R	R	32-bit Deg.F Floating Value (IEEE754)(Float CD AB)
40705-40720	0-7 Current Input Value	R	R	32-bit Floating Value (IEEE754)(Float AB CD)
40737-40752	0-7 Current Input Value	R	R	32-bit Deg.C Floating Value (IEEE754)(Float ABCD)
40769-40784	0-7 Current Input Value	R	R	32-bit Deg.F Floating Value (IEEE754)(Float ABCD)
40801-40816	0-7 Current Input Value	R	R	32-bit Floating Value (IEEE754)(Float BA DC)
40833-40848	0-7 Current Input Value	R	R	32-bit Deg.C Floating Value (IEEE754)(Float BA DC)
40865-40880	0-7 Current Input Value	R	R	32-bit Deg.F Floating Value (IEEE754)(Float BA DC)
40897-40912	0-7 Current Input Value	R	R	32-bit Floating Value (IEEE754)(Float DC BA)
40929-40944	0-7 Current Input Value	R	R	32-bit Deg.C Floating Value (IEEE754)(Float DC BA)
40961-40976	0-7 Current Input Value	R	R	32-bit Deg.F Floating Value (IEEE754)(Float DC BA)
41281-41408	0-127 Analog Auxiliary Memory (AM Flag)	R/W	R/W	0-65535
40401	WiFi Mode	R	R/W	0: AP(default) 1: Remote
40402	WiFi Encryption (WPA2)	R	R/W	0: DISABLE(default) 1: ENABLE
40403-40434	WiFi SSID	R	R/W	Default: 12WiFi
40435-40498	WiFi Password	R	R/W	Default: 88888888
40499	WiFi Channel	R	R/W	0-13 0: auto(default) / 1-13CH
40500-40503	WiFi IP	R	R/W	IP:x.x.x.x default: 192.168.1.1
40504-40507	WiFi MASK	R	R/W	MASK: x.x.x.x default: 255.255.255.0
40508-40511	WiFi GATEWAY	R	R/W	GATEWAY: x.x.x.x Default: 192.168.1.1
40512	WiFi MODBUS ID	R	R/W	INIT*: 0_NOR: 1-255
40513	WiFi LOCAL PORT	R	R/W	1-65535 Default: 502
40514	WiFi REMOTE PORT	R	R/W	1-65535 Default: 2000
40515	WiFi DHCP Enable	R	R/W	0: ENABLE(default) 1: DISABLE
40516	WiFi PROTOCOL	R	R/W	0: Modbus TCP/IP(default) 1: Modbus UDP/IP 2: Modbus RTU Over TCP/IP 3: Modbus RTU Over UDP/IP
40517	WiFi TX POWER	R	R/W	0: Auto(default) step: 1-12
40518-40523	MAC ADDRESS	R	R	EX: 00-05-5D-E8-0F-A3
40222	CJC Value	R	R	-32767 ~ +32767: -327.67 ~ +327.67 Deg.C
40225	Set CJC Offset Value	R	R/W	-32767 ~ +32767: -327.67 ~ +327.67 Deg.C Default: 0
40226-40233	Set The AI0-7 Offset Value (For Thermocouple/Thermistor)	R	R/W	-32767 ~ +32767: -327.67 ~ +327.67 Deg.C Default: 0

For more information, please refer to www.yottacontrol.com

Address Mapping

Remote Modules

Remote Modules

Mapping Table

A-1251/A-1255/A-1260/A-1269		A-1255S			
Supported Modbus Code:		01/02/05/15			
Address 0X	Item	NOR	INIT*	NOTE	
00001-00016	0-15 DI Input Signal	R	R		
00017-00032	0-15 DO Output Value	R/W	R/W		
00033-00048	0-15 Power On Digital Output Value	R	R/W		
00049-00064	0-15 Communication Fail Safe Value	R	R/W		
00129-01152	0-1023 Auxiliary Memory (MFlag)	R/W	R/W		
Supported Modbus Code:		03/04/06/16			
Address 4X	Item	NOR	INIT*	NOTE	
40001-40016	0-15 Current Input Value	R	R	0-4000:0-10V	
40097-40112	0-15 Current Input Value	R	R	0-10:0-10V	
40129-40144	0-15 Current Input Value	R	R	0-1000:0-10V	
40161-40176	0-15 Current Input Value	R	R	0-1000:0.00-100.0% of FSR	
40177	Communication Fail Safe Time Setting Value	R	R/W	0-65535:Disable-65535msec	
40178	All DI Value	R	R		
40211	Module Name 1	R	R		
40212	Module Name 2	R	R		
40213	Version 1	R	R		
40214	Version 2	R	R		
40215-40220	1-6 Mac Serial Number	R	R		
40300	Module's ID In Normal Mode	R	R/W	1-255	
40301	Protocol In Normal Mode	R	R/W	0: RTU 1: ASCII	
40302	Baud Rate In Normal Mode	R	R/W	1: 2400 bps 2: 4800 bps 3: 9600 bps 4: 14400 bps 5: 19200 bps 6: 28800 bps 7: 38400 bps 8: 57600 bps 9: 115200 bps 10: 230400 bps 11: 460800 bps 12: 921600 bps	
40303	Parity Option In Normal Mode	R	R/W	0: None 1: Odd 2: Even	
40304	Stop Bits In Normal Mode	R	R/W	0: 1 bit 1: 2 bit	
40305	Time Out Setting In Normal Mode	R	R/W	0-65535 msec	
40609-40640	0-15 Current Input Value	R	R	32-bit Floating Value (IEEE754)(Float CD AB)	
40705-40736	0-15 Current Input Value	R	R	32-bit Floating Value (IEEE754)(Float AB CD)	
40801-40832	0-15 Current Input Value	R	R	32-bit Floating Value (IEEE754)(Float BA DC)	
40897-40928	0-15 Current Input Value	R	R	32-bit Floating Value (IEEE754)(Float DC BA)	
41281-41408	0-127 Analog Auxiliary Memory (AM Flag)	R/W	R/W	0-65535	
40401	WIFI Mode	R	R/W	0: AP(default) 1: Remote	
40402	WIFI Encryption (WPA2)	R	R/W	0: DISABLE(default) 1: ENABLE	
40403-40434	WIFI SSID	R	R/W	Default: 12WIFI	
40435-40498	WIFI Password	R	R/W	Default: 88888888	
40499	WIFI Channel	R	R/W	0- 13 0: auto(default) / 1-13CH	
40500-40503	WIFI IP	R	R/W	IP: x.x.x.x default: 192.168.1.1	
40504-40507	WIFI MASK	R	R/W	MASK: x.x.x.x default: 255.255.255.0	
40508-40511	WIFI GATEWAY	R	R/W	GATEWAY: x.x.x.x Default: 192.168.1.1	
40512	WIFI MODBUS ID	R	R/W	INIT*: 0, NOR: 1-255	
40513	WIFI LOCAL PORT	R	R/W	1-65535 Default: 502	
40514	WIFI REMOTE PORT	R	R/W	1-65535 Default: 2000	
40515	WIFI DHCP Enable	R	R/W	0: ENABLE(default) 1: DISABLE	
40516	WIFI PROTOCOL	R	R/W	0: Modbus TCP/IP(default) 1: Modbus UDP/IP 2: Modbus RTU Over TCP/IP 3: Modbus RTU Over UDP/IP	
40517	WIFI TX POWER	R	R/W	0: Auto(default) step: 1-12	
40518-40523	MAC ADDRESS	R	R	EX: 00-05-5D-E8-0F-A3	

For more information, please refer to www.yottacontrol.com

Address Mapping

Remote Modules

Remote Modules

Mapping Table

A-1812				
Supported Modbus Code:	01/02/05/15			
Address 0X	Item	NOR	INIT*	NOTE
00001-00002	0-1 DI Input Signal	R	R	
00065-00066	0-1 Burn-out Signal	R	R	1:Burn-out (4-20mA only)
00067-00068	2-3 Burn-out Signal	R	R	1:Burn-out
00129-01152	0-1023 Auxiliary Memory (M Flag)	R/W	R/W	
Supported Modbus Code:	03/04/06/16			
Address 4X	Item	NOR	INIT*	NOTE
40001-40002	0-1 Current Input Value	R	R	0-20000:0/4-20mA
40003-40004	2-3 Current Input Value	R	R	0-8000:-200-+600° C
40017-40018	0-1 Current Output Value	R/W	R/W	0-4000:0/4-20mA
40033-40034	Power On Analog Output Value	R	R/W	0-4000:0/4-20mA
40049-40050	0-1 Communication Fail Safe Analog Output Value	R	R/W	0-4000:0/4-20mA
40065-40066	0-1 Input Type Code	R	R/W	0:4-20mA 1:0-20mA
40067-40068	2-3 Input Type Code	R	R/W	0:PT-100 α=0.00385 1:PT-100 α=0.003916 2:PT-1000 α=0.00385 3:PT-1000 α=0.003916
40081-40082	0-1 Output Type Code	R	R/W	0:4-20mA 1:0-20mA
40097-40098	0-1 Current Input Value	R	R	4/0-20:4/0-20mA
40099-40100	2-3 Current Input Value	R	R	-200-+600:-200-+600° C
40113-40114	0-1 Current Input Value	R	R	4/0-20:4/0-20mA
40115-40116	2-3 Current Input Value	R	R	-328-+1112:-328-+1112° F
40129-40130	0-1 Current Input Value	R	R	40/0-200:4.0/0-20.0mA
40131-40132	2-3 Current Input Value	R	R	-2000-+6000:-200.0-+600.0° C
40145-40146	0-1 Current Input Value	R	R	40/0-200:4.0/0-20.0mA
40147-40148	2-3 Current Input Value	R	R	-3280-+11120:-328.0-+1112.0° F
40161-40164	0-3 Current Input Value	R	R	0-10000:0.00-100.00% ofFSR
40177	Communication Fail Safe Time Setting Value	R	R/W	0-65535:Disable-65535msec
40178	All DI Value	R	R	
40211	Module Name 1	R	R	
40211	Module Name 2	R	R	
40213	Version 1	R	R	
40214	Version 2	R	R	
40215-40220	1-6 Mac Serial Number	R	R	
40306-40369	0-63 Analog Auxiliary Memory (AM Flag)	R/W	R/W	0-65535
40609-40616	0-3 Current Input Value	R	R	32-bit Floating Value (IEEE754)(Float CD AB)
40641-40648	0-3 Current Input Value	R	R	32-bit Deg.C Floating Value (IEEE754)(Float CD AB)
40673-40680	0-3 Current Input Value	R	R	32-bit Deg.F Floating Value (IEEE754)(Float CD AB)
40705-40712	0-3 Current Input Value	R	R	32-bit Floating Value (IEEE754) (Float AB CD)
40737-40744	0-3 Current Input Value	R	R	32-bit Deg.C Floating Value (IEEE754) (Float AB CD)
40769-40776	0-3 Current Input Value	R	R	32-bit Deg.F Floating Value (IEEE754) (Float AB CD)
40801-40808	0-3 Current Input Value	R	R	32-bit Floating Value (IEEE754) (Float BA DC)
40833-40840	0-3 Current Input Value	R	R	32-bit Deg.C Floating Value (IEEE754) (Float BA DC)
40865-40872	0-3 Current Input Value	R	R	32-bit Deg.F Floating Value (IEEE754) (Float BA DC)
40897-40904	0-3 Current Input Value	R	R	32-bit Floating Value (IEEE754) (Float DC BA)
40929-40936	0-3 Current Input Value	R	R	32-bit Deg.C Floating Value (IEEE754) (Float DC BA)
40961-40968	0-3 Current Input Value	R	R	32-bit Deg.F Floating Value (IEEE754) (Float DC BA)
40500-40503	Ethernet IP	R	R/W	IP:x.x.x default:192.168.1.1
40504-40507	Ethernet MASK	R	R/W	MASK: x.x.x.x default:255.255.255.0
40508-40511	Ethernet GATEWAY	R	R/W	GATEWAY: x.x.x.x Default:192.168.1.1
40512	Ethernet MODBUS ID	R	R/W	INIT*: 0 ,NOR:1-255
40513	Ethernet LOCAL PORT	R	R/W	1-65535 Default :502
40514	Ethernet REMOTE PORT	R	R/W	1-65535 Default:2000
40515	Ethernet DHCP Enable	R	R/W	0:ENABLE(default) 1:DISABLE
40515	Ethernet PROTOCOL	R	R	0:Modbus TCP/IP(default)
40518-40523	MAC ADDRESS	R	R	EX: 00-05-5D-E8-0F-A3

For more information, please refer to www.yottacontrol.com

Address Mapping

Remote Modules

Remote Modules

20

Mapping Table

A-1819				
Supported Modbus Code:	01/02/05/15			
Address 0X	Item	NOR	INIT*	NOTE
00065-00072	0-7 Burn-out Signal	R	R	1:Burn-out
00129-01152	0-1023 Auxiliary Memory (M Flag)	R/W	R/W	
Supported Modbus Code:	03/04/06/16			
Address 4X	Item	NOR	INIT*	NOTE
40001-40008	0-7 Current Input Value	R	R	0-20000:0-20mA/4-20mA 0-20700:-270-+1800° C
40065-40072	0-7 Input Type Code	R	R/W	0: 4-20mA 1: 0-20mA 2: J(-210-760° C) 3: K(-270-1,370° C) 4: T(-270-400° C) 5: E(-270-1,000° C) 6: R(0-1,750° C) 7: S(0-1,750° C) 8: B(0-1,800° C) 9: 10K-2 Thermistor(0-+100° C) 10: 10K-3 Thermistor(0-+100° C) 11: 6.8K Thermistor(-10-+100° C) 12: 4.7K Thermistor(-10-+100° C) 13: 3.3K Thermistor(-20-+100° C) 14: 3K Thermistor(-20-+100° C) 15: 2.7K Thermistor(-20-+100° C) 16: 2.25K Thermistor(-20-+100° C) 17: 2.1K Thermistor(-30-+100° C) 18: 2K Thermistor(-30-+100° C) 19: 1.5K Thermistor(-40-+100° C) 20: 1K Thermistor(-40-+100° C)
40097-40104	0-7 Current Input Value	R	R	4/0-20:4/0-20mA -270-+1800-270-+1800° C
40113-40120	0-7 Current Input Value	R	R	4/0-20:4/0-20mA -168-+3272:-168-+3272° F
40129-40136	0-7 Current Input Value	R	R	40/0-200:4.0/0-20.0mA -2700-+18000:-270.0-+1800.0° C
40145-40152	0-7 Current Input Value	R	R	40/0-200:4.0/0-20.0mA -1680-+32720:-168.0-+3272.0° F
40161-40168	0-7 Current Input Value	R	R	0-10000:0.00-100.00% of FSR
40211	Module Name 1	R	R	
40212	Module Name 2	R	R	
40213	Version 1	R	R	
40214	Version 2	R	R	
40215-40220	1-6 Mac Serial Number	R	R	
40609-40624	0-7 Current Input Value	R	R	32-bit Floating Value (IEEE754)(Float CD AB)
40641-40656	0-7 Current Input Value	R	R	32-bit Deg.C Floating Value (IEEE754)(Float CD AB)
40673-40688	0-7 Current Input Value	R	R	32-bit Deg.F Floating Value (IEEE754)(Float CD AB)
40705-40720	0-7 Current Input Value	R	R	32-bit Floating Value (IEEE754) (Float AB CD)
40737-40752	0-7 Current Input Value	R	R	32-bit Deg.C Floating Value (IEEE754) (Float AB CD)
40769-40784	0-7 Current Input Value	R	R	32-bit Deg.F Floating Value (IEEE754) (Float AB CD)
40801-40816	0-7 Current Input Value	R	R	32-bit Floating Value (IEEE754) (Float BA DC)
40833-40848	0-7 Current Input Value	R	R	32-bit Deg.C Floating Value (IEEE754) (Float BA DC)
40865-40880	0-7 Current Input Value	R	R	32-bit Deg.F Floating Value (IEEE754) (Float BA DC)
40897-40912	0-7 Current Input Value	R	R	32-bit Floating Value (IEEE754) (Float DC BA)
40929-40944	0-7 Current Input Value	R	R	32-bit Deg.C Floating Value (IEEE754) (Float DC BA)
40961-40976	0-7 Current Input Value	R	R	32-bit Deg.F Floating Value (IEEE754) (Float DC BA)
40306-40369	0-63 Analog Auxiliary Memory (AM Flag)	R/W	R/W	0-65535
40500-40503	Ethernet IP	R	R/W	IP:x.x.x.x default : 192.168.1.1
40504-40507	Ethernet MASK	R	R/W	MASK: x.x.x.x default:255.255.255.0
40508-40511	Ethernet GATEWAY	R	R/W	GATEWAY: x.x.x.x Default:192.168.1.1
40512	Ethernet MODBUS ID	R	R/W	INIT*: 0 ,NOR:1-255
40513	Ethernet LOCAL PORT	R	R/W	1-65535 Default :502
40514	Ethernet REMOTE PORT	R	R/W	1-65535 Default:2000
40515	Ethernet DHCP Enable	R	R/W	0:ENABLE(default) 1:DISABLE
40516	Ethernet PROTOCOL	R	R	0:Modbus TCP/IP(default)
40518-40523	MAC ADDRESS	R	R	EX: 00-05-5D-E8-0F-A3
40222	CJC Value	R	R	-32767 ~ +32767: -327.67 ~ +327.67 Deg.C
40225	Set CJC Offset Value	R	R/W	-32767 ~ +32767: -327.67 ~ +327.67 Deg.C Default:0
40226-40233	Set The AI0-7 Offset Value (For Thermocouple/Thermistor)	R	R/W	-32767 ~ +32767: -327.67 ~ +327.67 Deg.C Default:0

For more information, please refer to www.yottacontrol.com

Address Mapping

Remote Modules

Remote Modules

22

Mapping Table

A-1012/A-1012+				
Supported Modbus Code:	01/02/05/15			
Address 0X	Item	NOR	INIT*	NOTE
00001-00002	0-1 DI Input Signal	R	R	
00017-00018	0-1 DO Output Value	R/W	R/W	
00033-00034	0-1 Power On Digital Output Value	R	R/W	
00049-00050	0-1 Communication Fail Safe Value	R	R/W	
00065-00066	0-1 Burn-out Signal	R	R	1:Burn-out (4-20mA only)
00067-00068	2-3 Burn-out Signal	R	R	1:Burn-out
00129-01152	0-1023 Auxiliary Memory (M Flag)	R/W	R/W	
Supported Modbus Code:	03/04/06/16			
Address 4X	Item	NOR	INIT*	NOTE
40001-40002	0-1 Current Input Value	R	R	0-20000:0/4-20mA
40003-40004	2-3 Current Input Value	R	R	0-8000:-200-+600° C
40017-40018	0-1 Current Output Value	R/W	R/W	0-4000:0/4-20mA
40033-40034	Power On Analog Output Value	R	R/W	0-4000:0/4-20mA
40049-40050	0-1 Communication Fail Safe Analog Output Value	R	R/W	0-4000:0/4-20mA
40065-40066	0-1 Input Type Code	R	R/W	0:4-20mA 1:0-20mA
40067-40068	2-3 Input Type Code	R	R/W	0:PT-100 $\alpha=0.00385$ 1:PT-100 $\alpha=0.003916$ 2:PT-1000 $\alpha=0.00385$ 3:PT-1000 $\alpha=0.003916$
40081-40082	0-1 Output Type Code	R	R/W	0:4-20mA 1:0-20mA
40097-40098	0-1 Current Input Value	R	R	4/0-20:4/0-20mA
40099-40100	2-3 Current Input Value	R	R	-200-+600:-200-+600° C
40113-40114	0-1 Current Input Value	R	R	4/0-20:4/0-20mA
40115-40116	2-3 Current Input Value	R	R	-328-+1112:-328-+1112° F
40129-40130	0-1 Current Input Value	R	R	40/0-200:4.0/0-20.0mA
40131-40132	2-3 Current Input Value	R	R	-2000-+6000:-200.0-+600.0° C
40145-40146	0-1 Current Input Value	R	R	40/0-200:4.0/0-20.0mA
40147-40148	2-3 Current Input Value	R	R	-3280-+11120:-328.0-+1112.0° F
40161-40164	0-3 Current Input Value	R	R	0-10000:0.00-100.00% ofFSR
40177	Communication Fail Safe Time Setting Value	R	R/W	0-65535:Disable-65535msec
40178	All DI Value	R	R	
40211	Module Name 1	R	R	
40212	Module Name 2	R	R	
40213	Version 1	R	R	
40214	Version 2	R	R	
40215-40220	1-6 Mac Serial Number	R	R	
40300	Module's ID In Normal Mode	R	R/W	1-255
40301	Protocol In Normal Mode	R	R/W	0:RTU 1:ASCII
40302	Baud Rate In Normal Mode	R	R/W	1:2400 bps 2:4800 bps 3:9600 bps 4:14400 bps 5:19200 bps 6:28800 bps 7:38400 bps 8:57600 bps 9:115200 bps 10:230400 bps 11:460800 bps 12:921600 bps
40303	Parity Option In Normal Mode			0:None 1:Odd 2:Even
40304	Stop Bits In Normal Mode	R	R/W	0:1 bit 1:2 bit
40305	Time Out Setting In Normal Mode	R	R/W	0-65535 msec
40609-40616	0-3 Current Input Value	R	R	32-bit Floating Value (IEEE754)(Float CD AB)
40641-40648	0-3 Current Input Value	R	R	32-bit Deg.C Floating Value (IEEE754)(Float CD AB)
40673-40680	0-3 Current Input Value	R	R	32-bit Deg.F Floating Value (IEEE754)(Float CD AB)
40705-40712	0-3 Current Input Value	R	R	32-bit Floating Value (IEEE754) (Float AB CD)
40737-40744	0-3 Current Input Value	R	R	32-bit Deg.C Floating Value (IEEE754) (Float AB CD)
40769-40776	0-3 Current Input Value	R	R	32-bit Deg.F Floating Value (IEEE754) (Float AB CD)
40801-40808	0-3 Current Input Value	R	R	32-bit Floating Value (IEEE754) (Float BA DC)
40833-40840	0-3 Current Input Value	R	R	32-bit Deg.C Floating Value (IEEE754) (Float BA DC)
40865-40872	0-3 Current Input Value	R	R	32-bit Deg.F Floating Value (IEEE754) (Float BA DC)
40897-40904	0-3 Current Input Value	R	R	32-bit Floating Value (IEEE754) (Float DC BA)
40929-40936	0-3 Current Input Value	R	R	32-bit Deg.C Floating Value (IEEE754) (Float DC BA)
40961-40968	0-3 Current Input Value	R	R	32-bit Deg.F Floating Value (IEEE754) (Float DC BA)
41281-41408	0-127 Analog Auxiliary Memory (AM Flag)	R/W	R/W	0-65535

For more information, please refer to www.yottacontrol.com

Address Mapping

Remote Modules

Remote Modules

Mapping Table

A-1013				
Supported Modbus Code:		01/02/05/15		
Address 0X	Item	NOR	INIT*	NOTE
00001-00002	0-1 DI Input Signal	R	R	
00017-00018	0-1 DO Output Value	R/W	R/W	
00033-00034	0-1 Power On Digital Output Value	R	R/W	
00049-00050	0-1 Communication Fail Safe Value	R	R/W	
00065-00066	0-1 Burn-out Signal	R	R	1:Burn-out (2-10V only)
00067-00068	2-3 Burn-out Signal	R	R	1:Burn-out
00129-01152	0-1023 Auxiliary Memory (M Flag)	R/W	R/W	
Supported Modbus Code:		03/04/06/16		
Address 4X	Item	NOR	INIT*	NOTE
40001-40002	0-1 Current Input Value	R	R	0-10000:0/2-10V
40033-40034	2-3 Current Input Value	R	R	0-8000:-200-+600° C
40017-40018	0-1 Current Output Value	R/W	R/W	0-4000:0/2-10V
40065-40066	Power On Analog Output Value	R	R/W	0-4000:0/2-10V
40067-40068	0-1 Communication Fail Safe Analog Output Value	R	R/W	0-4000:0/2-10V
40065-40066	0-1 Input Type Code	R	R/W	0:2-10V 1: 0-10V
40067-40068	2-3 Input Type Code	R	R/W	0:PT-100α= 0.00385 1:PT-100α= 0.003916 2:PT-1000α= 0.00385 3:PT-1000α= 0.003916
40081-40082	0-1 Output Type Code	R	R/W	0:2-10V 1: 0-10V
40097-40098	0-1 Current Input Value	R	R	0-10:0/2-10V
40099-40100	2-3 Current Input Value	R	R	-200+600:-200+600° C
40113-40114	0-1 Current Input Value	R	R	0-10:0/2-10V
40115-40116	2-3 Current Input Value	R	R	-328+1112:-328-+1112° F
40129-40130	0-1 Current Input Value	R	R	0-100:0/2-10V
40131-40132	2-3 Current Input Value	R	R	-2000+6000:-200.0+600.0° C
40145-40146	0-1 Current Input Value	R	R	0-100:0/2-10V
40147-40148	2-3 Current Input Value	R	R	-3280+11120:-328.0+1112.0° F
40161-40164	0-3 Current Input Value	R	R	0-10000:0.00-100.00% of FSR
40177	Communication Fail Safe Time Setting Value	R	R/W	0-65535:Disable-65535msec
40178	All DI Value	R	R	
40211	Module Name 1	R	R	
40212	Module Name 2	R	R	
40213	Version 1	R	R	
40214	Version 2	R	R	
40215-40220	1-6 Mac Serial Number	R	R	
40300	Module's ID In Normal Mode	R	R/W	1-255
40301	Protocol In Normal Mode	R	R/W	0: RTU 1: ASCII
40302	Baud Rate In Normal Mode	R	R/W	1 : 2400 bps 2 : 4800 bps 3 : 9600 bps 4 : 14400 bps 5 : 19200 bps 6 : 28800 bps 7 : 38400 bps 8 : 57600 bps 9 : 115200 bps 10 : 230400 bps 11 : 460800 bps 12 : 921600 bps
40303	Parity Option In Normal Mode			0 : None 1 : Odd 2 : Even
40304	Stop Bits In Normal Mode	R	R/W	0 : 1 bit 1 : 2 bit
40305	Time Out Setting In Normal Mode	R	R/W	0-65535 msec
40609-40616	0-3 Current Input Value	R	R	32-bit Floating Value (IEEE754)(Float CD AB)
40641-40648	0-3 Current Input Value	R	R	32-bit Deg.C Floating Value (IEEE754)(Float CD AB)
40673-40680	0-3 Current Input Value	R	R	32-bit Deg.F Floating Value (IEEE754)(Float CD AB)
40705-40712	0-3 Current Input Value	R	R	32-bit Floating Value (IEEE754)(Float AB CD)
40737-40744	0-3 Current Input Value	R	R	32-bit Deg.C Floating Value (IEEE754)(Float AB CD)
40769-40776	0-3 Current Input Value	R	R	32-bit Deg.F Floating Value (IEEE754)(Float AB CD)
40801-40808	0-3 Current Input Value	R	R	32-bit Floating Value (IEEE754)(Float BA DC)
40833-40840	0-3 Current Input Value	R	R	32-bit Deg.C Floating Value (IEEE754)(Float BA DC)
40865-40872	0-3 Current Input Value	R	R	32-bit Deg.F Floating Value (IEEE754)(Float BA DC)
40897-40904	0-3 Current Input Value	R	R	32-bit Floating Value (IEEE754)(Float DC BA)
40929-40936	0-3 Current Input Value	R	R	32-bit Deg.C Floating Value (IEEE754)(Float DC BA)
40961-40968	0-3 Current Input Value	R	R	32-bit Deg.F Floating Value (IEEE754)(Float DC BA)
41281-41408	0-127 Analog Auxiliary Memory (AM Flag)	R/W	R/W	0-65535

For more information, please refer to www.yottacontrol.com

Address Mapping

Remote Modules

Remote Modules

Mapping Table

A-1019/A-1019+				
Supported Modbus Code:	01/02/05/15			
Address 0X	Item	NOR	INIT*	NOTE
00001-00004	0-3 DI Input Signal	R	R	
00065-00072	0-7 Burn-out Signal	R	R	1:Burn-out
00129-01152	0-1023 Auxiliary Memory (M Flag)	R/W	R/W	
Supported Modbus Code:	03/04/06/16			
Address 4X	Item	NOR	INIT*	NOTE
40001-40008	0-7 Current Input Value	R	R	0-20000:0-20mA/4-20mA 0-20700:-270~+1800° C
40065-40072	0-7 Input Type Code	R	R/W	0: 4-20mA 1: 0-20mA 2: J(-210-760° C) 3: K(-270~-1,370° C) 4: T(-270-400° C) 5: E(-270-1,000° C) 6: R(0-1,750° C) 7: S(0-1,750° C) 8: B(0-1,800° C) 9: 10K-2 Thermistor(0~+100° C) 10: 10K-3 Thermistor(0~+100° C) 11: 6.8K Thermistor(-10~+100° C) 12: 4.7K Thermistor(-10~+100° C) 13: 3.3K Thermistor(-20~+100° C) 14: 3K Thermistor(-20~+100° C) 15: 2.7K Thermistor(-20~+100° C) 16: 2.25K Thermistor(-20~+100° C) 17: 2.1K Thermistor(-30~+100° C) 18: 2K Thermistor(-30~+100° C) 19: 1.5K Thermistor(-40~+100° C) 20: 1K Thermistor(-40~+100° C)
40097-40104	0-7 Current Input Value	R	R	4/0-20:4/0-20mA -270~+1800:-270~+1800° C
40113-40120	0-7 Current Input Value	R	R	4/0-20:4/0-20mA -168~+3272:-168~+3272° F
40129-40136	0-7 Current Input Value	R	R	40/0-200:4.0/0-20.0mA -2700~+18000:-270.0~+1800.0° C
40145-40152	0-7 Current Input Value	R	R	40/0-200:4.0/0-20.0mA -1680~+32720:-168.0~+3272.0° F
40161-40168	0-7 Current Input Value	R	R	0-10000:0.00-100.00% ofFSR
40178	All DI Value	R	R	
40211	Module Name 1	R	R	
40212	Module Name 2	R	R	
40213	Version 1	R	R	
40214	Version 2	R	R	
40215-40220	1-6 Mac Serial Number	R	R	
40300	Module's ID In Normal Mode	R	R/W	1-255
40301	Protocol In Normal Mode	R	R/W	0: RTU 1: ASCII
40302	Baud Rate In Normal Mode	R	R/W	1 : 2400 bps 2 : 4800 bps 3 : 9600 bps 4 : 14400 bps 5 : 19200 bps 6 : 28800 bps 7 : 38400 bps 8 : 57600 bps 9 : 115200 bps 10 : 230400 bps 11 : 460800 bps 12 : 921600 bps
40303	Parity Option In Normal Mode	R	R/W	0 : None 1 : Odd 2 : Even
40304	Stop Bits In Normal Mode	R	R/W	0 : 1 bit 1 : 2 bit
40305	Time Out Setting In Normal Mode	R	R/W	0-65535 msec
40609-40624	0-7 Current Input Value	R	R	32-bit Floating Value (IEEE754)(Float CD AB)
40641-40656	0-7 Current Input Value	R	R	32-bit Deg.C Floating Value (IEEE754)(Float CD AB)
40673-40688	0-7 Current Input Value	R	R	32-bit Deg.F Floating Value (IEEE754)(Float CD AB)
40705-40720	0-7 Current Input Value	R	R	32-bit Floating Value (IEEE754) (Float AB CD)
40737-40752	0-7 Current Input Value	R	R	32-bit Deg.C Floating Value (IEEE754) (Float AB CD)
40769-40784	0-7 Current Input Value	R	R	32-bit Deg.F Floating Value (IEEE754) (Float AB CD)
40801-40816	0-7 Current Input Value	R	R	32-bit Floating Value (IEEE754) (Float BA DC)
40833-40848	0-7 Current Input Value	R	R	32-bit Deg.C Floating Value (IEEE754) (Float BA DC)
40865-40880	0-7 Current Input Value	R	R	32-bit Deg.F Floating Value (IEEE754) (Float BA DC)
40897-40912	0-7 Current Input Value	R	R	32-bit Floating Value (IEEE754) (Float DC BA)
40929-40944	0-7 Current Input Value	R	R	32-bit Deg.C Floating Value (IEEE754) (Float DC BA)
40961-40976	0-7 Current Input Value	R	R	32-bit Deg.F Floating Value (IEEE754) (Float DC BA)
41281-41408	0-127 Analog Auxiliary Memory (AM Flag)	R/W	R/W	0-65535
40222	CJC Value	R	R	-32767 ~ +32767: -327.67 ~ +327.67 Deg.C
40225	Set CJC Offset Value	R	R/W	-32767 ~ +32767: -327.67 ~ +327.67 Deg.C Default:0
40226-40233	Set The AI0-7 Offset Value (For Thermocouple/Thermistor)	R	R/W	-32767 ~ +32767: -327.67 ~ +327.67 Deg.C Default:0

For more information, please refer to www.yottacontrol.com

Address Mapping

Remote Modules

Remote Modules

Mapping Table

A-1010/A-1010+				
Supported Modbus Code:		01/02/05/15		
Address 0X	Item	NOR	INIT*	NOTE
00001-00008	0-7 DI Input Signal	R	R	
00017-00020	0-3 Digital Output Value	R/W	R/W	
00033-00036	0-3 Power On Digital Output Value	R	R/W	
00049-00052	0-3 Communication Fail Safe Value	R	R/W	
04097-06144	0-2047 Auxiliary Memory (M Flag)	R/W	R/W	
06145-06400	0-255 Retentivity Auxiliary Memory (KM Flag)	R/W	R/W	
Supported Modbus Code:		03/04/06/16		
Address 4X	Item	NOR	INIT*	NOTE
40001-40008	0-7 Analog Input Value	R	R	0-1000:0-10V
40017-40018	0-1 Analog Output Value	R/W	R/W	0-1000:0-10V
40033-40034	0-1 Power On Analog Output Value	R	R/W	0-1000:0-10V
40049-40050	0-1 Communication Fail Safe Analog Output Value	R	R/W	0-1000:0-10V
40065	Communication Fail Safe Time Setting Value	R	R/W	0-65535: 0.0-6553.5 sec
40211	Module Name 1	R	R	
40212	Module Name 2	R	R	
40213	Soft Version 1	R	R	
40214	Soft Version 2	R	R	
40215	Communication Safety Enabled	R	R	
40216	Communication Safety Flag	R	R	
40217-40222	1-6 Mac Serial Number	R	R	
40223	Mac Internal Temperature (° C)	R	R	
40224	History Temperature_Min (° C)	R	R	
40225	History Temperature_Max (° C)	R	R	
40300	Module's ID In Normal Mode	R	R/W	1-255
40301	Protocol In Normal Mode	R	R/W	0: RTU 1: ASCII
40223	Baud Rate In Normal Mode	R	R/W	1: 2400 bps 2: 4800 bps 3: 9600 bps 4: 14400 bps 5: 19200 bps 6: 28800 bps 7: 38400 bps 8: 57600 bps 9: 115200 bps 10: 230400 bps 11: 460800 bps 12: 921600 bps
40303	Parity Option In Normal Mode	R	R/W	0: None 1: Odd 2: Even
40304	Stop Bits In Normal Mode	R	R/W	0: 1 bit 1: 2 bit
40305	Normal Mode Time Out Setting	R	R/W	0-65535:0 ~ 65535 msec
40409-40416	0-7 Input Signal Count Value (16-BIT)	R/W	R/W	0-0xFFFF
40425-40439	0-7 Input Signal Count Value (32-BIT)	R/W	R/W	0-0xFFFFFFFF
40457-40485	0-7 Input Signal Count Value (64-BIT)	R/W	R/W	0-0xFFFFFFFFFFFFFFFF
40521-40528	0-7 Analog Input hi-lo level Value	R	R/W	0-1000:(ex:350 = 3.5V), default =350
44001-46048	0-2047 Analog Auxiliary Memory (AM Flag)	R/W	R/W	0-65535
46049-46112	0-63 Retentivity Analog Auxiliary Memory (KAM Flag)	R/W	R/W	0-65535

For more information, please refer to www.yottacontrol.com

Address Mapping

Remote Modules

Remote Modules

Mapping Table

A-1036+				
Supported Modbus Code:	01/02/05/15			
Address 0X	Item	NOR	INIT*	NOTE
00017-00022	0-5 Digital Output Value	R	R	
00081-00086	0-5 PWM Enable	R	R/W	0 Disable, 1:Enable
00097-00099	0-2 AB-Phase Enable	R	R/W	0 Disable, 1:Enable
00113-00115	0-2 Direction of AB-Phase	R/W	R/W	0: Dir+ , 1: Dir-
00129-00131	0-2 Power On Direction of AB-Phase	R	R/W	0: Dir+ , 1: Dir-
00145-00147	0-2 Communication Fail Safe Direction of AB-Phase	R	R/W	0: Dir+ , 1: Dir-
04097-06144	0-2047 Auxiliary Memory (M Flag)	R/W	R/W	
Supported Modbus Code:				
03/04/06/16				
Address 4X	Item	NOR	INIT*	NOTE
40017-40022	0-5 Analog Output Value	R/W	R/W	0-4000: 4-20mA / 0-20mA
40033-40038	0-5 Power On Analog Output Value	R	R/W	0-4000: 4-20mA / 0-20mA
40049-40054	0-5 Communication Fail Safe Analog Output Value	R	R/W	0-4000: 4-20mA / 0-20mA
40081-40086	0-5 Analog Output Type	R	R/W	0: 4-20mA / 1:0-20mA
40097-40102	0-5 Analog Output Value (mA)	R	R	4/0-20 : 4/0mA-20mA
40113-40118	0-5 Analog Output Value (0.1mA)	R	R	40/0-200 : 4.0/0.0mA-20.0mA
40129-40134	0-5 Analog Output Value (0.01mA)	R	R	400/0-2000 : 4.00/0.00mA-20.00mA
40145-40150	0-5 Analog Output Value (FSR)	R	R	0-10000 : 0.00%-100.00% of FSR
40177	Communication Fail Safe Time Setting Value	R	R/W	0-32767 (sec) , 0:Disable
40179	All DO Value	R	R	
40211	Module Name 1	R	R	0x10 0x26
40212	Module Name 2	R	R	0x00 0x00
40213	Version 1	R	R	0x01 0x00
40214	Version 2	R	R	0x00 0x00
40215-40220	1-6 Mac Serial Number	R	R	
40300	Module" s ID In Normal Mode	R	R/W	1-255
40301	Protocol In Normal Mode	R	R/W	0:RTU , 1:ASCII
40302	Baudrate In Normal Mode	R	R/W	0 : 1200 bps , 1 : 2400 bps , 2 : 4800 bps , 3 : 9600 bps 4 : 14400 bps , 5 : 19200 bps , 6 : 28800 bps , 7 : 38400 bps 8 : 57600 bps , 9 : 115200 bps
40303	Parity In Normal Mode	R	R/W	0:none, 1:odd, 2:even
40304	Stop Bits In Normal Mode	R	R/W	0:1 bit , 1:2 bit
40305	Time Out Setting In Normal Mode	R	R/W	0-32767 (ms)
40609-40620	0-5 Current Output Value(32-bit)	R	R	32-bit Floating Value (IEEE754)(Float CD AB)
40641-40652	0-5 Current Output Value(32-bit) (mA)	R	R	32-bit Current Floating Value (IEEE754)(Float CD AB)
40705-40716	0-5 Current Output Value(32-bit)	R	R	32-bit Floating Value (IEEE754)(Float AB CD)
40737-40748	0-5 Current Output Value(32-bit) (mA)	R	R	32-bit Current Floating Value (IEEE754)(Float AB CD)
40801-40812	0-5 Current Output Value(32-bit)	R	R	32-bit Floating Value (IEEE754)(Float BA DC)
40833-40844	0-5 Current Output Value(32-bit) (mA)	R	R	32-bit Current Floating Value (IEEE754)(Float BA DC)
40897-40908	0-5 Current Output Value(32-bit)	R	R	32-bit Floating Value (IEEE754)(Float DC BA)
40929-40940	0-5 Current Output Value(32-bit) (mA)	R	R	32-bit Current Floating Value (IEEE754)(Float DC BA)
41251-41256	0-5 DO Status High Level	R	R/W	400/0-2000 : 4.00/0.00mA-20.00mA
41259-41264	0-5 DO Status Low Level	R	R/W	400/0-2000 : 4.00/0.00mA-20.00mA
41267-41272	0-5 Analog Output Offset (4mA)	R	R/W	-1000-1000
41275-41280	0-5 Analog Output Offset (20mA)	R	R/W	-1000-1000
41409-41414	0-5 Amplitude of PWM	R/W	R/W	0-4000: 4-20mA / 0-20mA
41425-41430	0-5 Frequency of PWM	R/W	R/W	10-10000 (0.05ms/pulse)
41441-41446	0-5 Duty Ratio of PWM	R/W	R/W	0-100(%)
41457-41459	0-2 Amplitude of AB-Phase	R/W	R/W	0-4000: 4-20mA / 0-20mA
41473-41475	0-2 Frequency of AB-Phase	R/W	R/W	10-10000 (0.05ms/pulse)
41489-41494	0-5 Power On Amplitude of PWM	R	R/W	0-4000: 4-20mA / 0-20mA
41505-41510	0-5 Power On Frequency of PWM	R	R/W	10-10000 (0.05ms/pulse)
41521-41526	0-5 Power On Duty Ratio of PWM	R	R/W	0-100(%)
41537-41539	0-2 Power On Amplitude of AB-Phase	R	R/W	0-4000: 4-20mA / 0-20mA
41553-41555	0-2 Power On Frequency of AB-Phase	R	R/W	10-10000 (0.05ms/pulse)
41569-41574	0-5 Communication Fail Safe Amplitude of PWM	R	R/W	0-4000: 4-20mA / 0-20mA
41585-41590	0-5 Communication Fail Safe Frequency of PWM	R	R/W	10-10000 (0.05ms/pulse)
41601-41606	0-5 Communication Fail Safe Duty Ratio of PWM	R	R/W	0-100(%)
41617-41619	0-2 Communication Fail Safe Amplitude of AB-Phase	R	R/W	0-4000: 4-20mA / 0-20mA
41633-41635	0-2 Communication Fail Safe Frequency of AB-Phase	R	R/W	10-10000 (0.05ms/pulse)
44001-46048	0-2047 Analog Auxiliary Memory (AM Flag)	R/W	R/W	

For more information, please refer to www.yottacontrol.com

