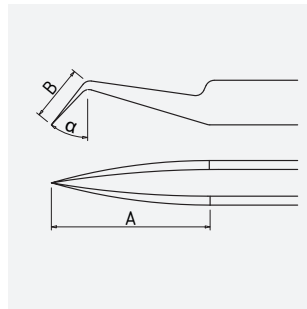


SMD tweezers ULTRA FINE 120 mm form 7a stainless steel angle 40° very pointed

Art.-No.	5-055-UF
Description	SMD tweezers ULTRA FINE 120 mm form 7a stainless steel angle 40° very pointed
Application	Electronics, SMD/THT assembly, precision mechanics, robotics, watchmakers, jewelers, medical technology, precision work
Specification	not serrated jaws, tip tolerance +/-0.05
Material	stainless steel
Surface/Coating	matt finish
Features	stainless, antimagnetic, acid-resistant
Surface resistance	/
Shape	TB: Tapered tips bent
Icon No.	TB2

Dimensions and weight

A = 35 mm
B = 13 mm
angle = 40°



length 120 mm
weight 15 g

Application and technical data

For precise gripping, holding, and positioning work in laboratories, on testing equipment, especially under the microscope. With a tip dimension of 0.2 mm with a tolerance of +/-0.05, also suitable for equipping robotics (pick-and-place), allows repeatable adjustment.

100% stainless steel anti-magnetic, rust and acid resistant, non-reflective matt fine polished. Stainless austenitic chromium-nickel quality steel with low carbon content, for good corrosion resistance (not seawater resistant).