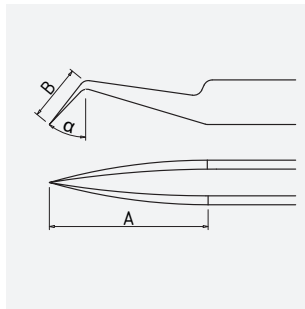


# SMD tweezers 120 mm form 7a stainless steel angle 40°

<b>Art.-No.</b>	5-055
<b>Description</b>	SMD tweezers 120 mm form 7a stainless steel angle 40°
<b>Application</b>	assembly tweezers, SMD/THT, precision tweezers
<b>Specification</b>	not serrated jaws
<b>Material</b>	stainless steel
<b>Surface/Coating</b>	matt finish
<b>Features</b>	stainless, antimagnetic, acid-resistant
<b>Surface resistance</b>	/
<b>Shape</b>	TB: Tapered tips bent
<b>Icon No.</b>	TB2

## Dimensions and weight

A = 35 mm  
B = 13 mm  
angle = 40°



length 120 mm  
weight 15 g

## Application and technical data

Tweezers for SMD/THT technology.

Austenitic chromium-nickel stainless steel with low carbon content for good corrosion resistance (not seawater resistant).