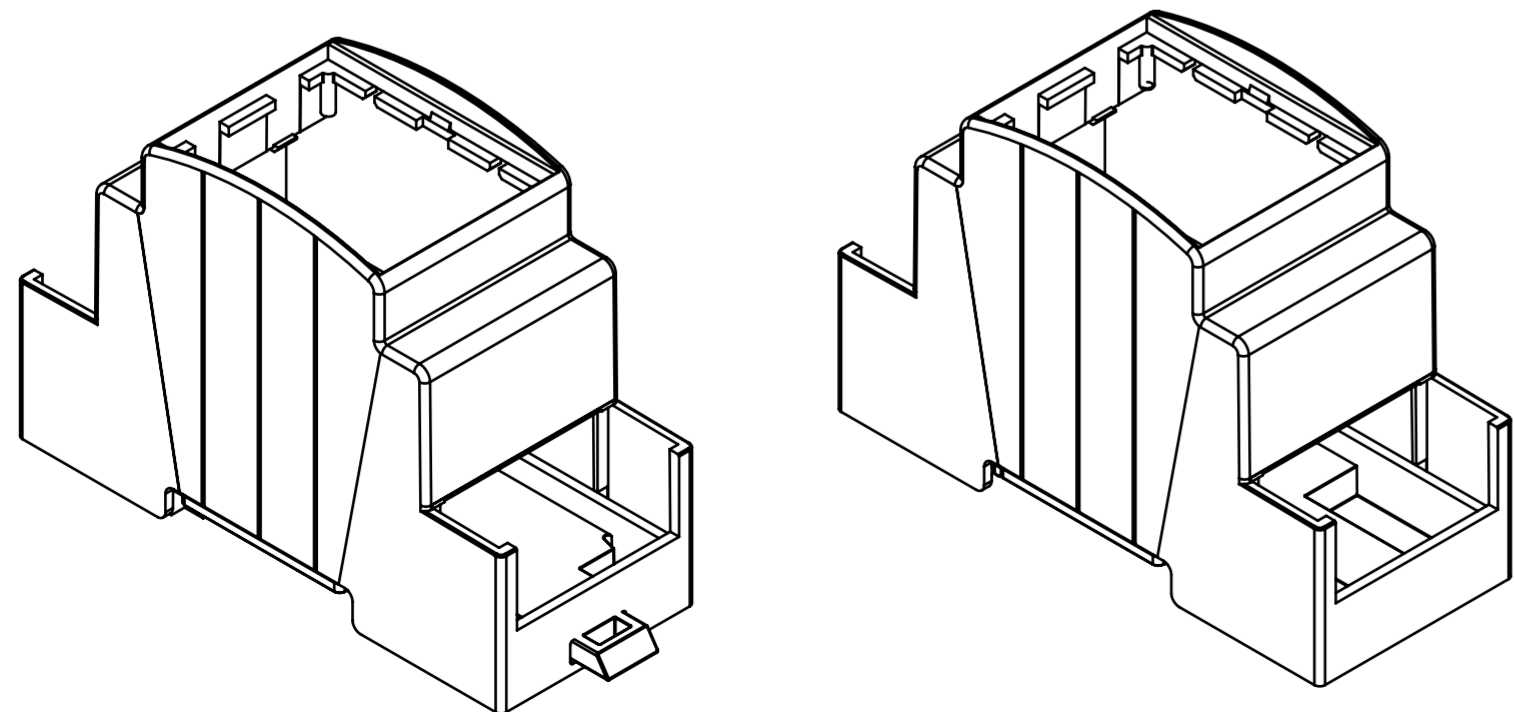
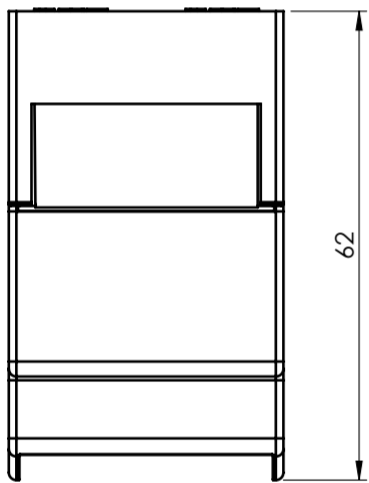
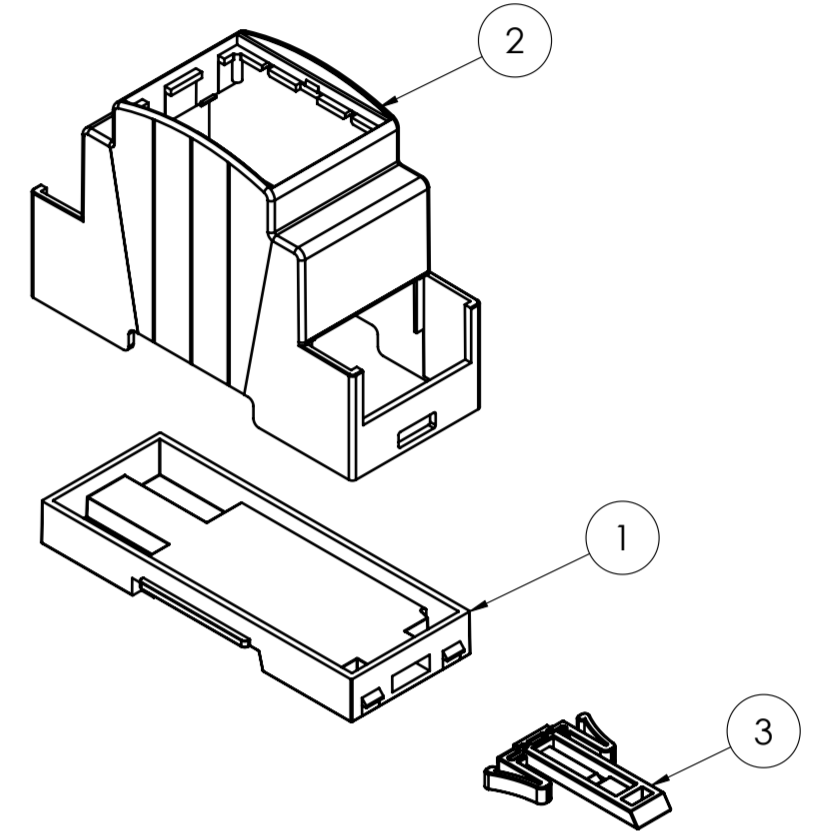
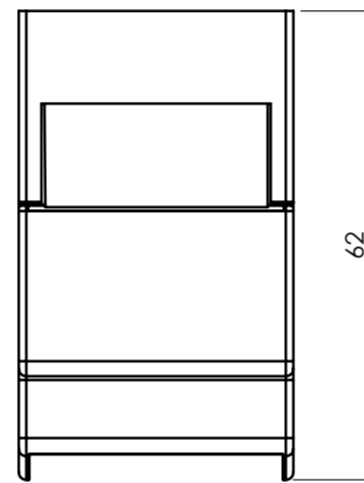
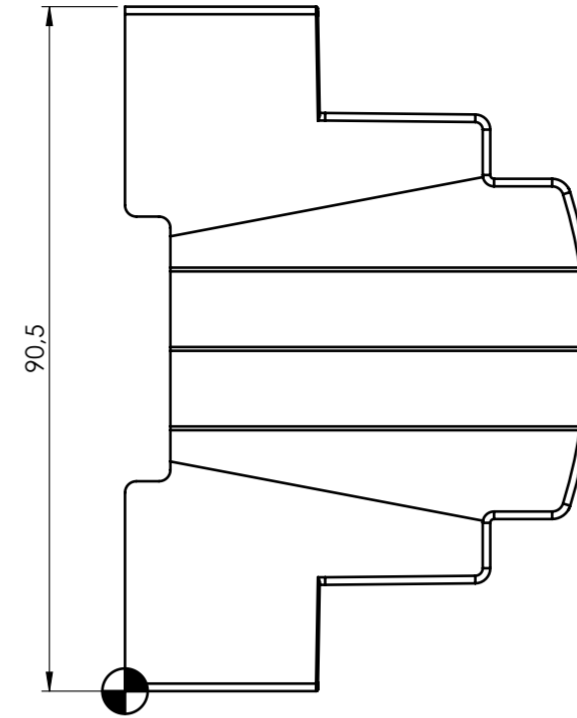
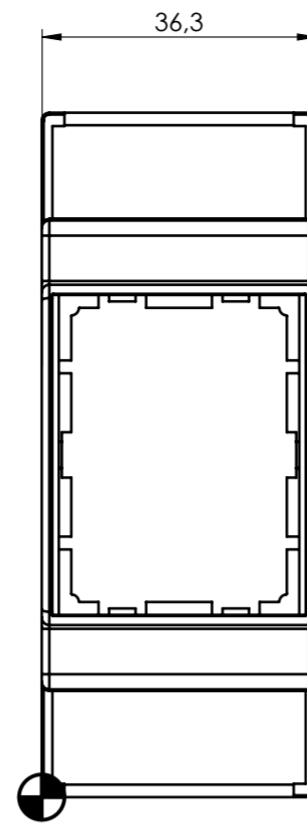


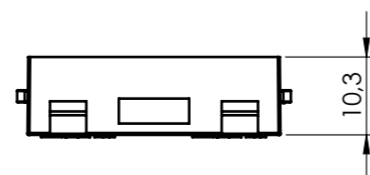
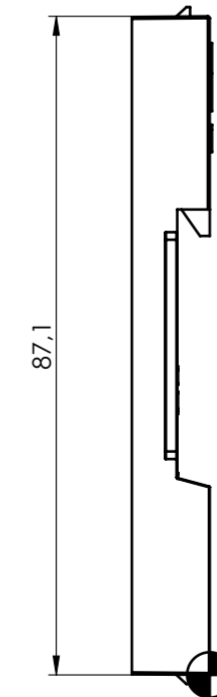
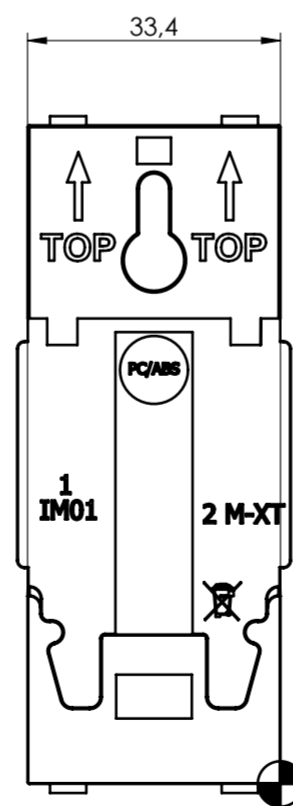
SECTION A-A



BODY ENCLOSURE

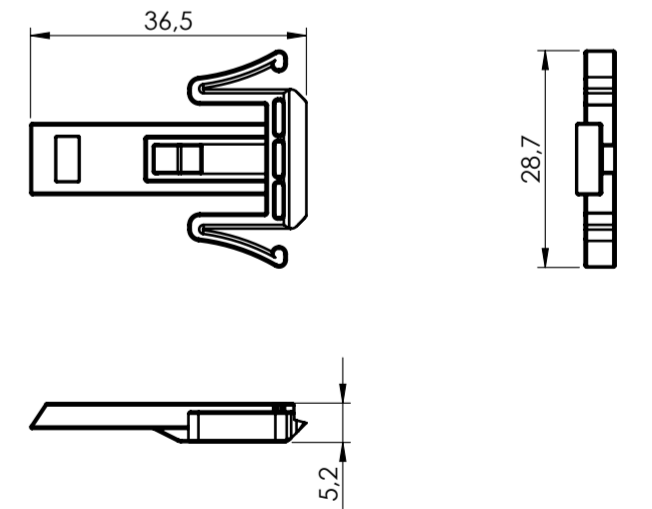


BASE



General information:
 - Workpiece zero point for mechanical processing
 - Minimum recommended radius for machining = R1.0 mm
 - Mounting rail like EN 60715: TH 35-7.5 or TH 35-15
 - Recommended PCB outline on www.italtronic.com

HOOK

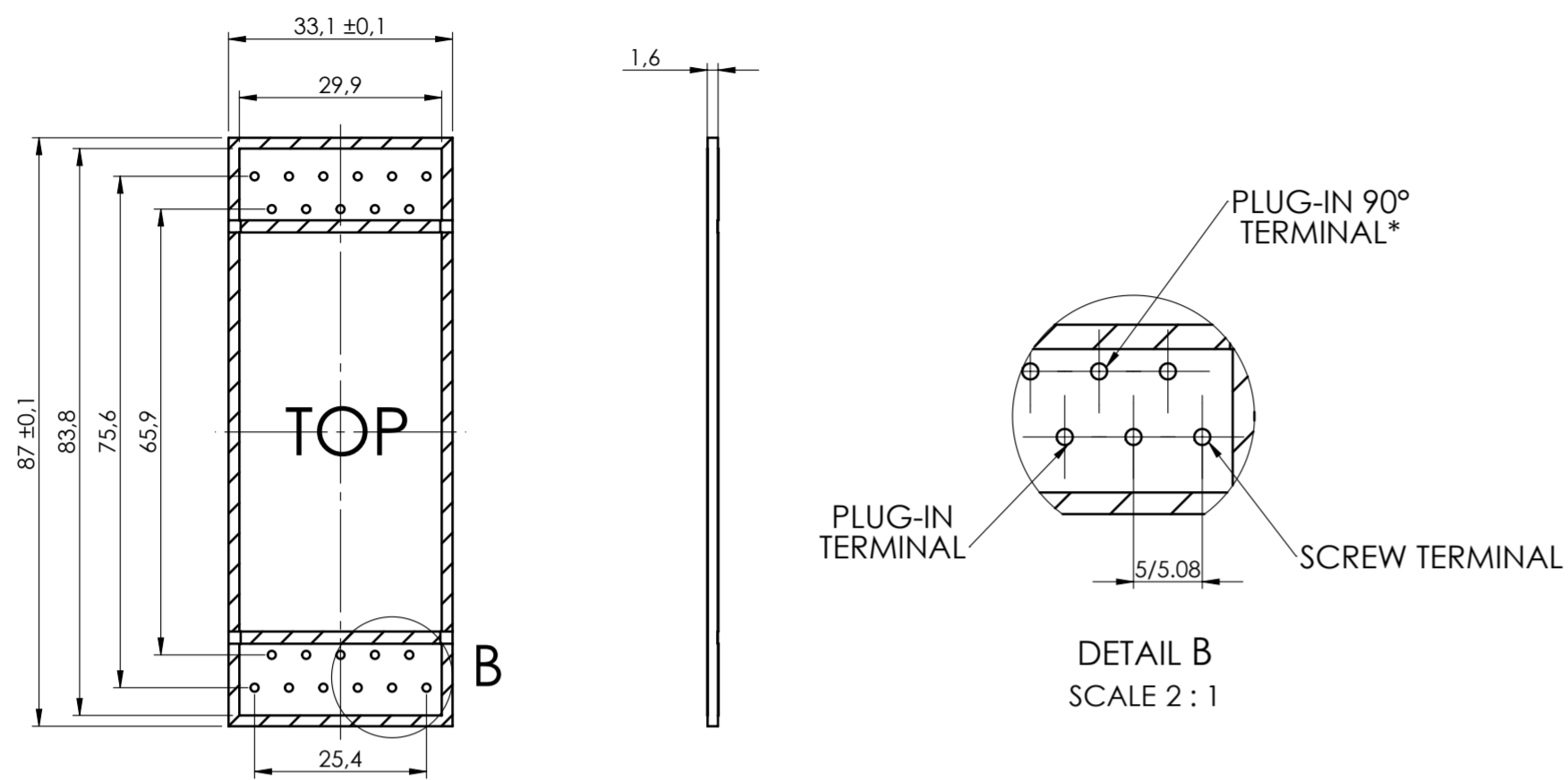


RIF.	Q.TY	DRAWING	DESCRIPTION
1	1	2_250_00139	BASE MODULBOX XT/XTS - 2M
2	1	2_250_00043	BODY ENCLOSURE MODULBOX XTS 2MH53-A
3	1	2_250_00072	HOOK FOR MODULBOX XT-XTS

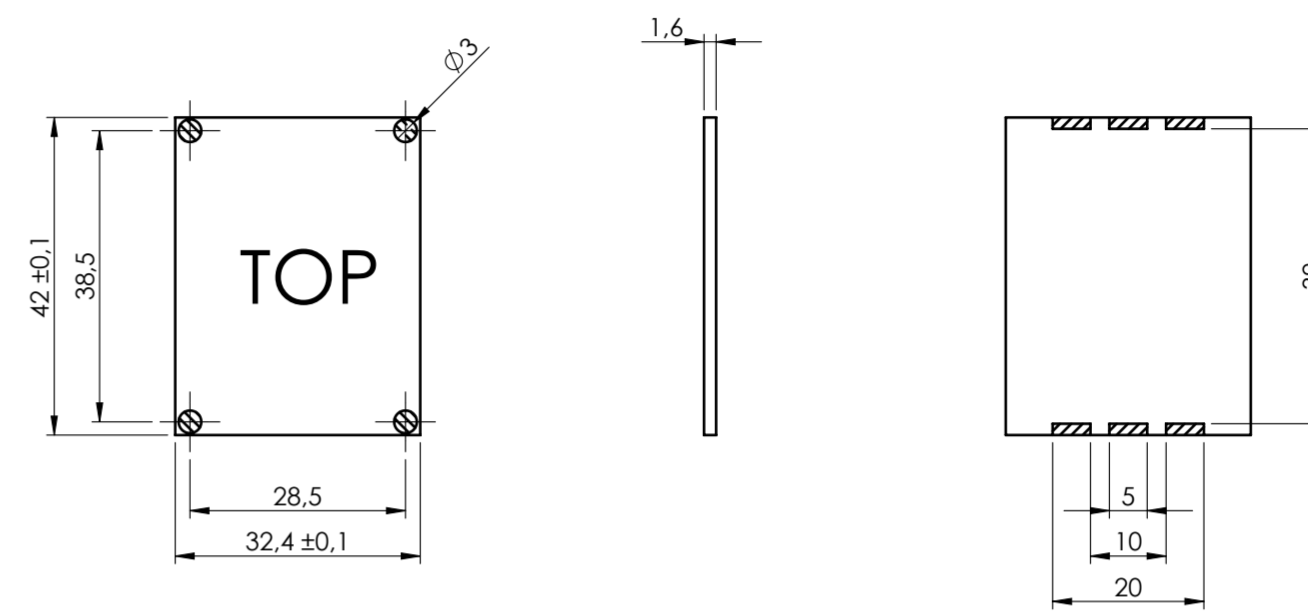
General Tolerance UNI EN 22768/1 Media (m)					Sheet:
from 0.5 to 3	from 3 to 6	from 6 to 30	from 30 to 120	from 120 to 400	1
± 0.1	± 0.1	± 0.2	± 0.3	± 0.5	
Scale:	Drawn:	Checked:	Date:	Material:	Process:
1:1	R.N.	R.N.	11/04/2023		
Dimension in mm	Derived from:			Weight:	Cod. Mold:
				gr	--
				Description: KIT CONTENITORE MODULBOX XTS 2MH53-A KIT ENCLOSURE MODULBOX XTS 2MH53-A	
Drawing nr.: 3_250_00034				Rev.: 00 A2	

PCB A

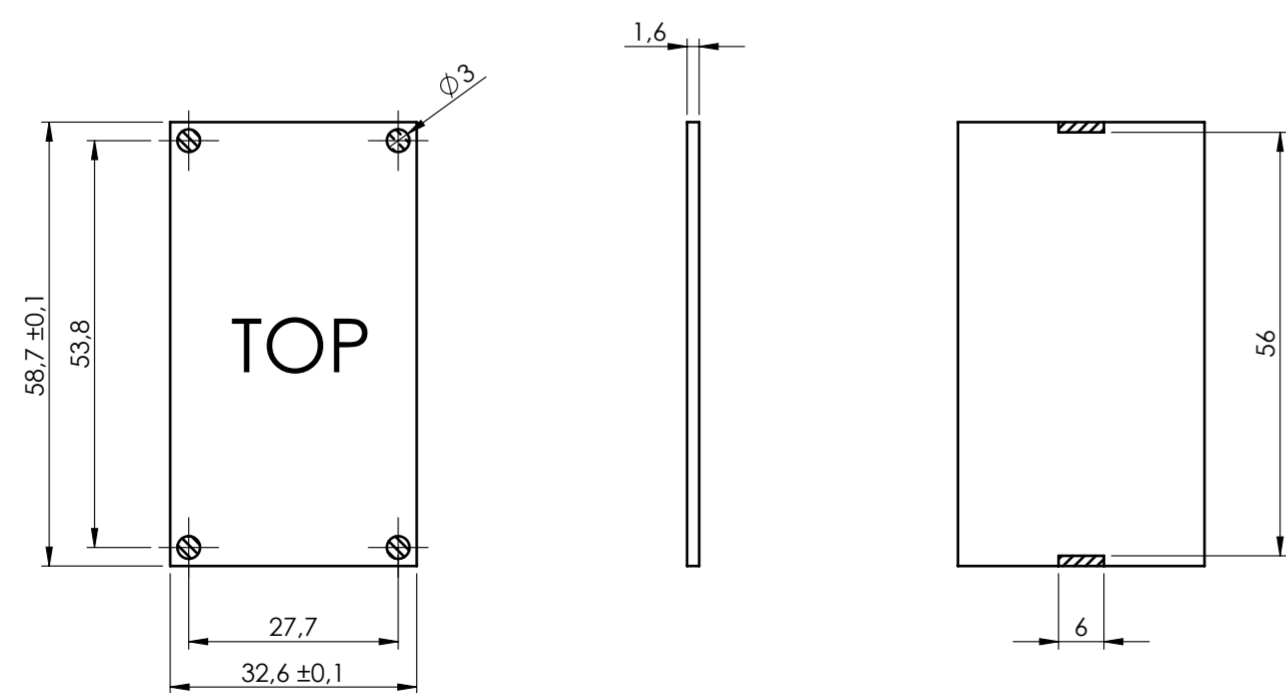
Max height of the terminal:
Modulbox XT/XTS: 18.5 mm



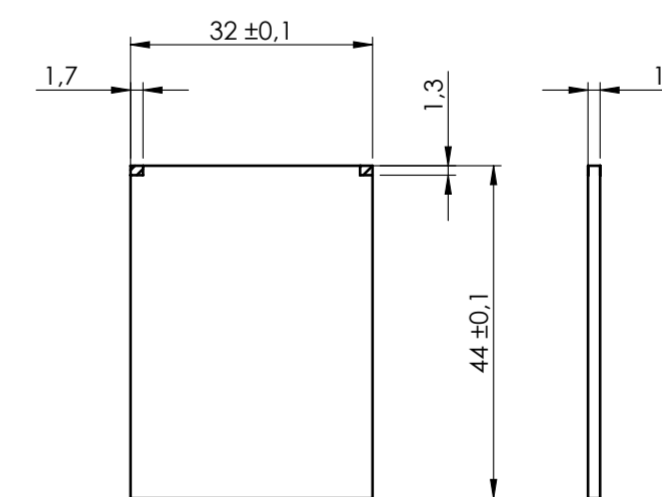
PCB C



PCB B



PCB V2



NO COMPONENTS AREA

General Tolerance UNI EN 22768/1 Media (m)					Sheet:
from 0.5 to 3 ± 0.1	from 3 to 6 ± 0.1	from 6 to 30 ± 0.2	from 30 to 120 ± 0.3	from 120 to 400 ± 0.5	PCB
Scale:	Drawn:	Checked:	Date:	Material:	Process:
1:1	R.N.	R.N.	11/04/2023		
Dimension in mm				Weight:	Cod. Mold:
				gr	--
 enclosures for electronics italtronic.com					Description: KIT CONTENITORE MODULBOX XTS 2MH53-A KIT ENCLOSURE MODULBOX XTS 2MH53-A Drawing nr.: 3_250_00034
					Rev.: 00 A2