

**ROHS COMPLIANT**

**2.54mm Box Header 90° H=9.0**

**SPECIFICATION**

**Current Rating:** 3.0Amp  
**Insulation Resistance:** 1000MΩ min  
**Contact Resistance:** 20MΩ max  
**Withstand Voltage:** 500V AC/DC  
**Operating Temperature:** -40°C to +105°C  
**Contact Material:** Brass  
**Contact Plating:** Au or Sn Over Ni  
**Insulator Material:** PBT/PA6T+30%GF UL 94V-0

**Ordering Code:**

HY1017-02 - X - X - X - X - X

①      ②      ③      ④      ⑤      ⑥

① **Series No.:**

② **No. of Contacts**

06	08	10	12	14	16	18
20	22	24	26	28	30	32
34	36	40	44	48	50	60

64

④ **Color Insulator**

B:Black  
U:Blue  
G:Gray

③ **Contact Plating**

G0: Gold flash  
G1: 3u" Gold  
G2: 5u" Gold  
G3: 10u" Gold  
G4: 15u" Gold  
G5: 30u" Gold

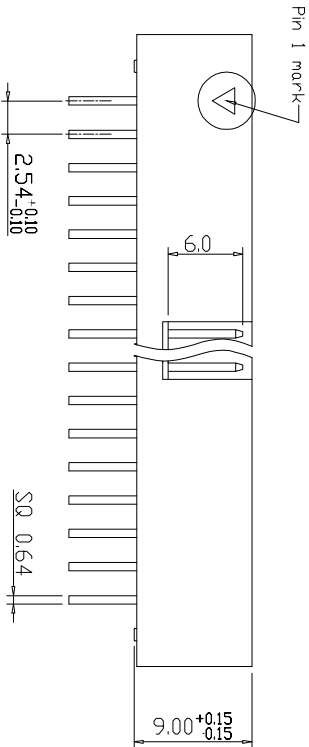
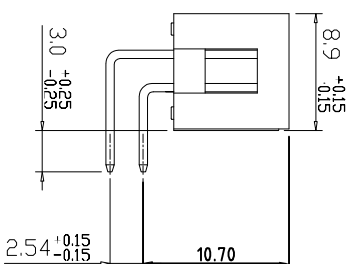
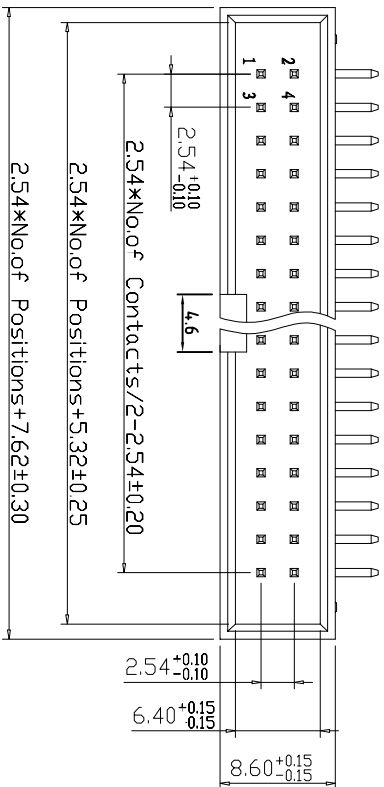
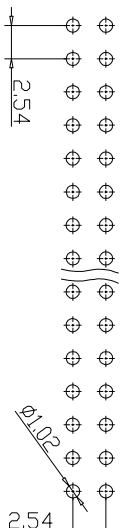
⑤ **Insulator Material**

A: PBT  
B: PA6T

⑥ **Packing**

A: Tray  
T: Tube

Recommended P.C.B. Layout(Top Side)  
(PCB BOARD TOLERANCE±0.05)



Unless Otherwise specified tolerance  
 X.±0.35  
 X.X±0.25  
 X.XX±0.20  
 X.XXX±0.15  
 SCALE: 2:1  
 UNIT: mm

慈溪万海电子有限公司  
 CIXI WANHAI ELECTRONICS CO., LTD.

DRAWN:  
CHECKED: YANG

TITLE:  
**2.54mm Box Header 90° H=9.0**

10-08-28



DRAWING NO: HY1017-02

DATE

3rd ANGLE PROJECTION

PRODUCT NO: HY1017-02

Add option of plating

DESCRIPTION

DATE

3rd ANGLE PROJECTION

PRODUCT NO: HY1017-02

REV

2

3

4

5

6

7

8

D

C

B

A

D

C

B

A