

30W AC-DC PCB-Mount Green Power Module

YSM30-1502000

■ Features:

- 1.1.8"×1" compact size
- 2.Universal input 100-240VAC
- 3.No-load power consumption < 0.1W
- 4.EMC meets Class B requirements without additional components
- 5.Wide operating temperature range from -30°C to 70°C
- 6.Protection type:short circuit / over load / over voltage
- 7.Natural air cooling
- 8.Class II isolation level
- 9.By LPS
- 10.Three year Warranty

SALES: ZhuXiaoYing

APPROVED BY: LiJin

DESIGNED BY:

NinghaiYingjiao Electrical Co.,Ltd.

Tel: 0086-574-27862391、 27862392

Add: Cuijia Village Xidian Town Ninghai County Ningbo China 315613

<http://www.yingjiao.com> <http://www.yingjiaodriver.com>

1、 OUTPUT:

DC VOLTAGE: 15V

RATED CURRENT: 2A

CURRENT RANGE: 0~2A

RATED POWER: 30W

RIPPLE&NOISE(max.): 200mVp-p

VOLTAGE TOLERANCE: $\pm 2.5\%$

LINE REGULATION: $\pm 0.5\%$

LOAD REGULATION: $\pm 1\%$

SETUP,RISE TIME: 2s,20ms at full load

HOLD UP TIME (Typ.): 30ms/230VAC 10ms/115VAC at full load

2、 INPUT:

VOLTAGE RANGE: 90-264VAC

FREQUENCY RANGE:47-63Hz

EFFICIENCY (Typ.): 86%

AC CURRENT (Typ.): 1.0A/90-264VAC

Inrush Current: COLD START30A/115VAC 60A/230VAC

LEAKAGE CURREN: < 0.25mA/264VAC

2、 PROTECTION:

3.1 OVERLOAD:

105%~190% rated output power

Protection type:Hiccup mode,recovers automatically after fault condition is removed

3.2 OVER VOLTAGE:

17~22V

Protection type:Shut off o/p voltage,clamping by zener diode

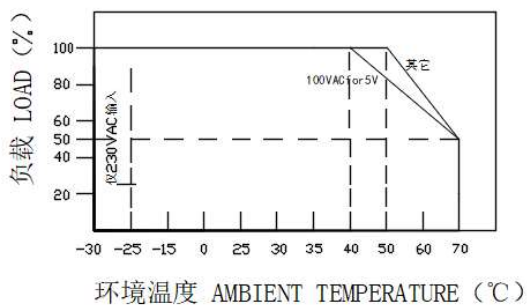
3、 ENVIRONMENT:

WORKING TEMP: -30~+70°C (Please refer to the derogation curve)

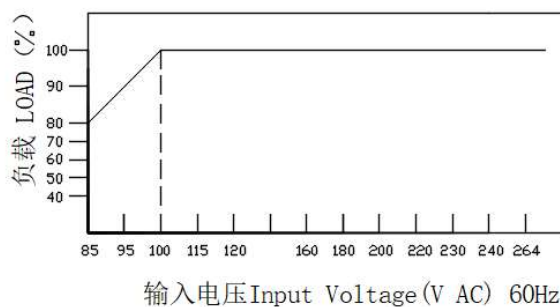
WORKING HUMIDITY: 20~90% RH non-condensing

STORAGE TEMP,HUMIDITY: -40~+85°C, 10~95% RH

减额曲线 Derating Curve



静态特性曲线 Outout Derating VS Input Voltage



4、 SAFETY&EMC:

SAFETY STANDARDS: EN62368-1

WITHSTAND VOLTAGE: I/P-O/P:3KVAC

ISOLATION RESISTANCE: I/P-O/P:100M Ohms/500VDC/25°C/70°CRH

EMC EMISSION: EN55032

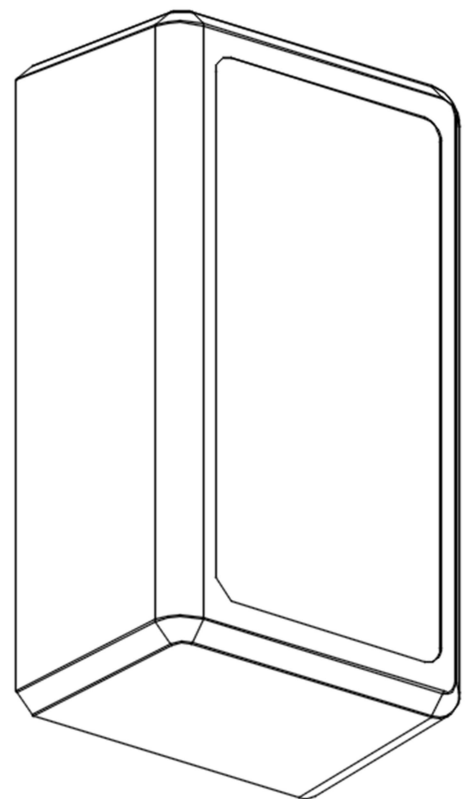
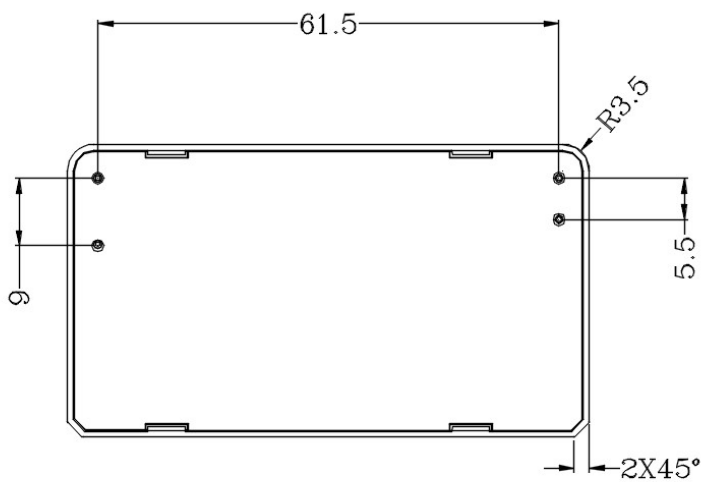
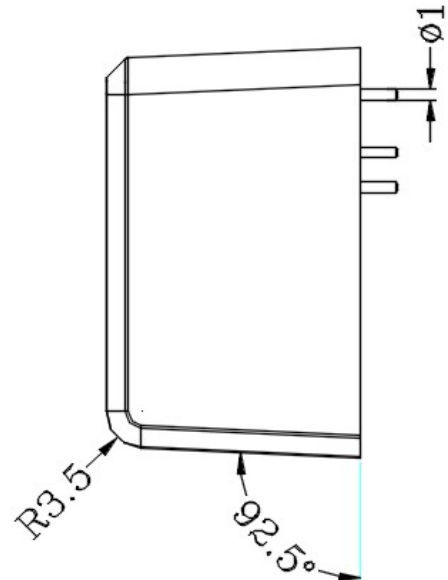
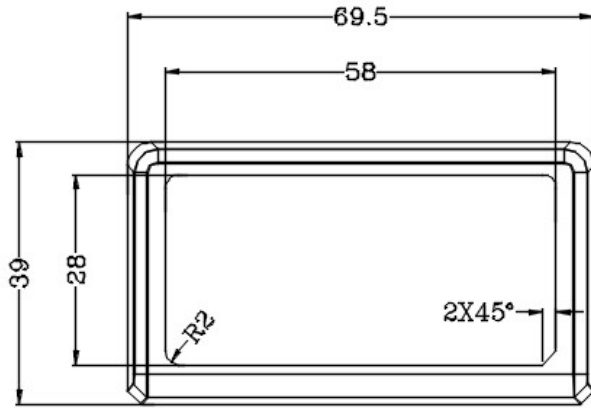
MTBF:593.3Khrs min.MIL-HDBK-217F(25°C)

DIMENSION/尺寸: 69.5*39*24mm (L*W*H)

5、 NOTE:

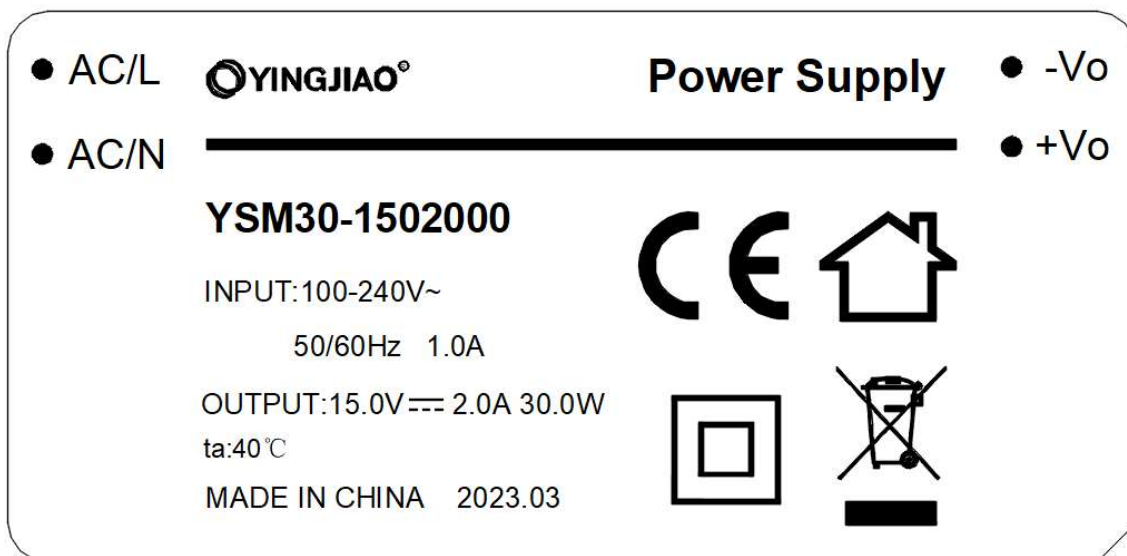
- 1.All parameters NOT specially mentioned are measured at 230VAC input,rated load and 25°C of ambient temperature.
- 2.Ripple & noise are measured at 20MHz of bandwidth by using a 12 " twisted pair-wire terminated with a 0.1uf&47uf parallel capacitor.
- 3.Tolerance:includes set up tolerance,line regulation and load regulation.
- 4.Line regulation is measured from low line to high line at rated load.
- 5.Load regulation is measured from 0% to 100% rated load.
- 6.The power supply is considered a component which will be installed into a final equipment.
The final equipment must be re-confirmed.

6、OUTLINE DIMENSION:

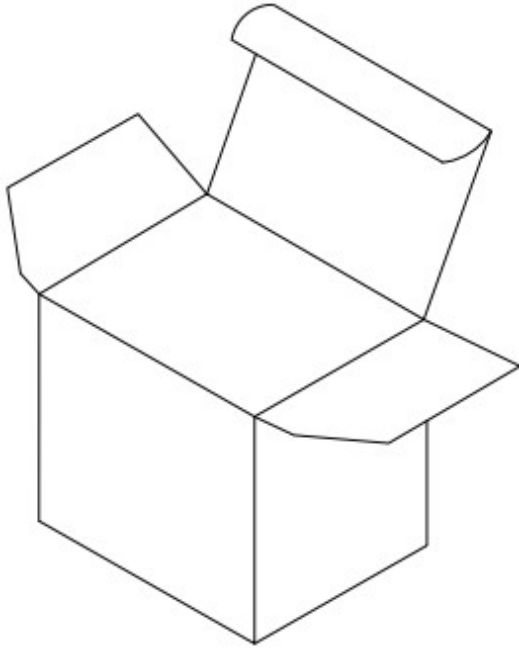


7、 LABEL:

Laser printing .



8、PACKING STEP:

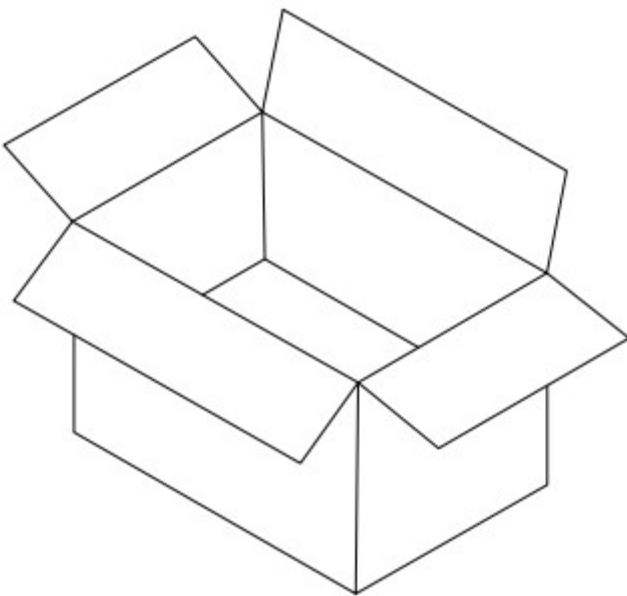


White box:

Length:750mm

Width:30mm

Height:450mm



Packing request:

Packaging

Outside box:325L*175W*250H

Quantlty:100PCS/CTN