

2024



The Professional Power Supply Designer and Manufacturer!



Wall Mount Power Supplies



SYS1052-W2E series	
SYS1001-W2E series	
SYS1121-Wxx 6W series	
SYS1638-Wxx series	
SYS1058-W2E series	projects only
SYS1561-Wxx series	
SYS1121-Wxx 12W series	
SYS1381N-Wxx series	
SYS1529-Wxx series	
SYS1128-W2E series	projects only
SYS1888-Wxx/T2 series	clearance sale
SYS1181-W2E 18W series	ask for MOQ
SYS1181-Wxx 18W series	ask for MOQ
SYS1621-W2E 20W series	
SYS1308-Wxx series	clearance sale
SYS1308N-Wxx 24W series	
SYS1541-Wxx 24W series	
SYS1308N special	
SYS1588-W2E 30W series	
SYS1588-Wxx 30W series	
SYS1588-W2E 40W series	ask for MOQ
SYS1588-Wxx 40W series	
SYS1621-W2E 60W series	
SYS1621-Wxx 60W series	
SYS1621-TYPE C 60-T2 W2F	

Desktop Power Supplies



PoE-M3 series	clearance sale
SYS1001-T2 6W series	
SYS1001-T2 12W series	
SYS1181-T2 series	ask for MOQ
SYS1181-M3 series	ask for MOQ
SYS1544-T2 series	
SYS1544-T3 series	
SYS1319-T3 series	clearance sale
SYS1588-T2 30W series	
SYS1588-T3 30W series	
SYS1546-T2 series	
SYS1546-T3 series	
SYS1588-T2 40W series	
SYS1588-T3 40W series	
SYS1548-T2 series	
SYS1548-T3 series	
SYS1649-T3 series	
SYS1621-TYPE C 60-T2	
ATS-65W series	
SYS1575-M3 series	
SYS1576-M3 series	
STD-120W series	
ATS-160W series	
ATS-200W series	

LED Drivers



[SYL1460-Wxx series](#)

DIN Rail Power Supplies



YSDS series	coming soon
YSDL series	coming soon
YSDH series	coming soon
YSDN series	coming soon
YSDT series	coming soon
YSDW series	coming soon

Car adapters



[RY-CC24U2 \(Dual Car Charger 1205\)](#)

Power cords | Cables | Connectors



[IEC320-C5 series](#)
[IEC320-C7 series](#)
[IEC320-C13 series](#)
[Extension cable Plug](#)
[Extension cable Jack](#)
[Extension cable Jack to Plug](#)
[Extension cable Plug to Plug](#)
[Extension cable Switch](#)
[Extension cable USB](#)
[Cable Splitter](#)
[Cable Splitter Chain](#)
[Reduction connectors](#)

Country of Origin : China
 Operating Temperature : 0~40 [°C]
 Dimension : 52 × 37 × 62 [mm]
 Efficiency level (ErP) : VI



Approvals / Marks :



Specifications

Basic Models	Voltage DC [4.0V~24V]	Loading [A]	Max. Power [W]	Ripple / Noise [mV] p-p	Connector [mm]
SYS1052-0605-W2E	5	0~1.2	6	200	2.1x5.5x11
SYS1052-0606-W2E	6	0~1.0	6	200	2.1x5.5x11
SYS1052-06075-W2E	7,5	0~0.8	6	200	2.1x5.5x11
SYS1052-0609-W2E	9	0~0.66	6	200	2.1x5.5x11
SYS1052-0312-W2E	12	0~0.25	3	200	2.1x5.5x11
SYS1052-0612-W2E	12	0~0.5	6	200	2.1x5.5x11
SYS1052-0615-W2E	15	0~0.4	6	200	2.1x5.5x11
SYS1052-0618-W2E	18	0~0.33	6	200	2.1x5.5x11
SYS1052-0624-W2E	24	0~0.25	6	200	2.1x5.5x11

Features:

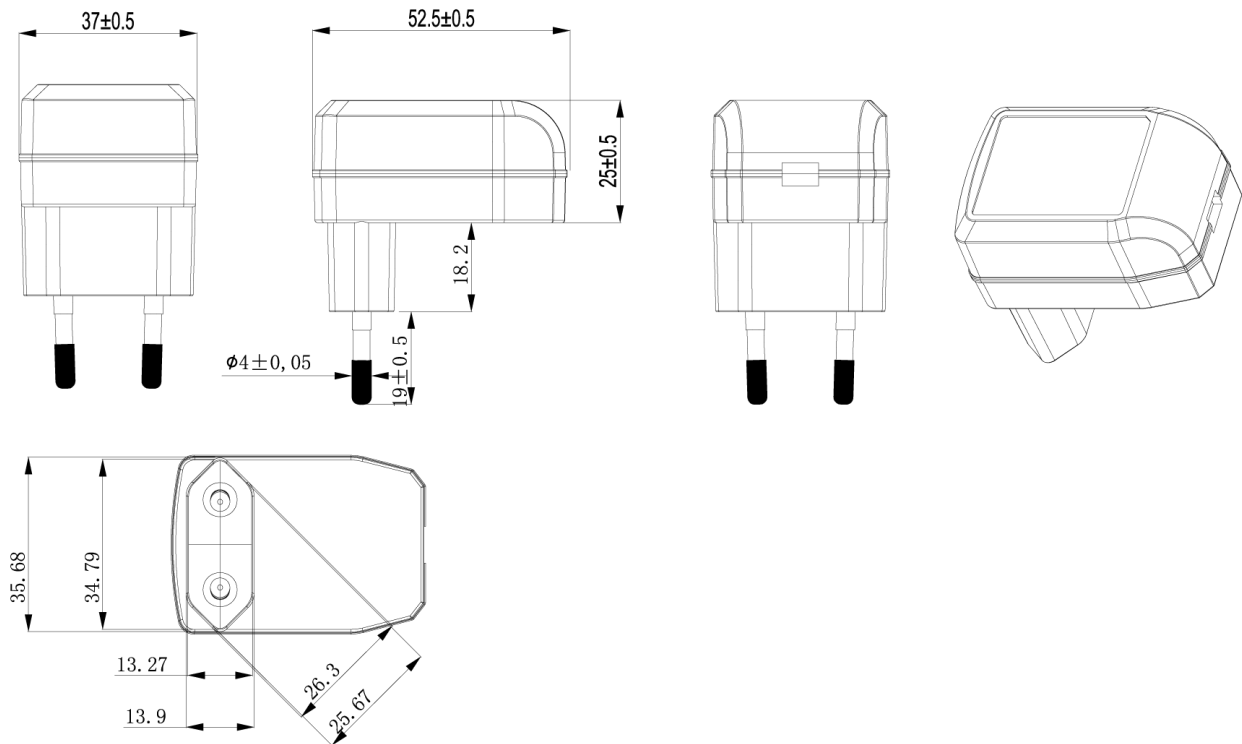
Certified plugs Wxx = W2E - Europe | W2 - USA,Canada,Japan | W3U - UK | W2A - Australia | W2C - China

For all models, the minimum rising step of output voltage is 0.1V - 4.0V~24V 6W max | Private Label Marking Available | 2 Years Warranty

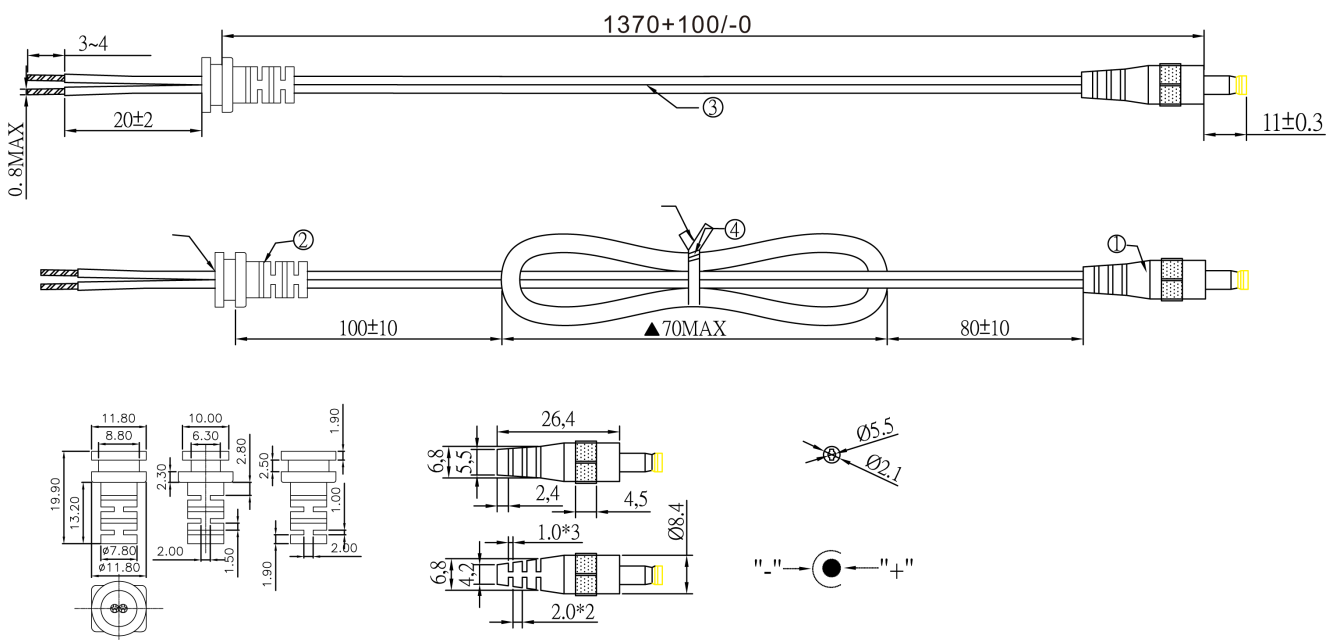
OUTPUT		CE	
Turn delay	5000ms max@AC low line input@output full load	EMC	2014/30/EU
Hold up time	8ms min@AC nominal input@output full load	LVD	2014/35/EU EN 62368-1:2014+A11:2017
Efficiency (Normal)	Meet DOE level VI	SAFETY	
Burn in limit	220VAC 80% Load (Ref) 4 hours & 40°C + 5°C -0°C	GS CE CB UKCA	
Power consumption	0.1W max. At AC nominal input@output min load	OTHERS	
INPUT		Dielectric Strength	I/P-O/P:3000VAC
Voltage	(90~264)VAC	M.T.B.F	500,000 Calculated Hours at 25°C, by Telcordia SR-332
Frequency	(47~63)hz	Cable Length	1370mm (4.5 feet) standard cable or as required
Current	0.2A rms@AC low line input and DC output full load	Cooling method	Natural Convection Cooling
Inrush Surge Current	40/60A max@power supply cold start,ambient temperature 25°C	Housing material	PC
leakage current	< 5 mA max	Temperature coefficient:	< ±0.5% / °C
PROTECTION		ENVIRONMENT	
Over current/ Short protection	The power supply will be auto recovered when over current or short circuit faults remove (fold back). Is defined as any output impedance of less than 0.1Ω.The power supply will be auto	Temperature	Operating: 0~40°C / Storage: -20~85°C
Over Voltage	The power supply will not be auto recovered when faults remove	Humidity	Operating: 8%~90%RH / Storage: 5%~95% RH non condensing
Input protection	F1:1A 250V Fuse The power supply shall be protected against	WEIGHT	
No Load protection	The power supply is provided with no load operation to prevent	NW: 56g/pc	
Protection class	II	GW: 73g/pc	
		PACKING	
		Box	100 pcs/1 box

Mechanical specification:

W2E - Europe version



Cable specification:



Country of Origin : China
 Operating Temperature : 0~40 [°C]
 Dimension : 64 × 27 × 39 [mm]
 Efficiency level (ErP) : VI



Approvals / Marks :



Specifications

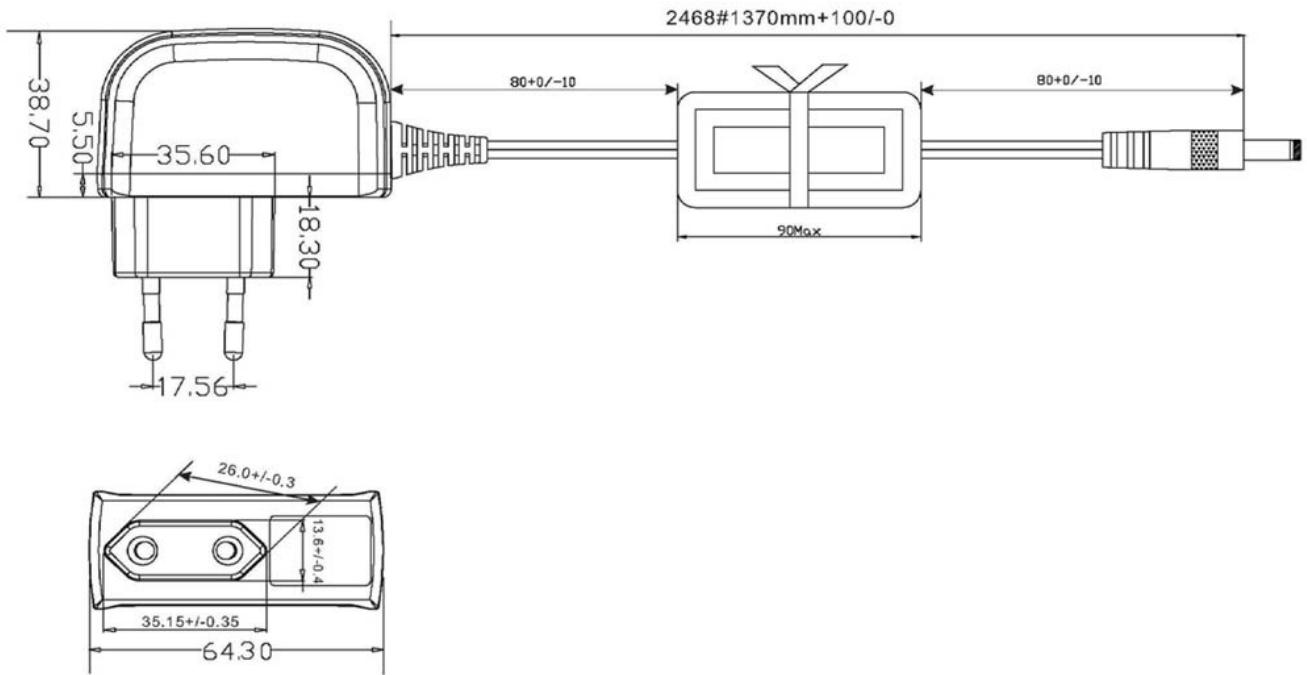
Model	Voltage DC [V]	Loading [A]	Max. Power [W]	Ripple / Noise [mV] p-p	Connector [mm]
SYS1001-0303-W2E	3.3	0~1	3.3	200	2.1x5.5x11

Features:

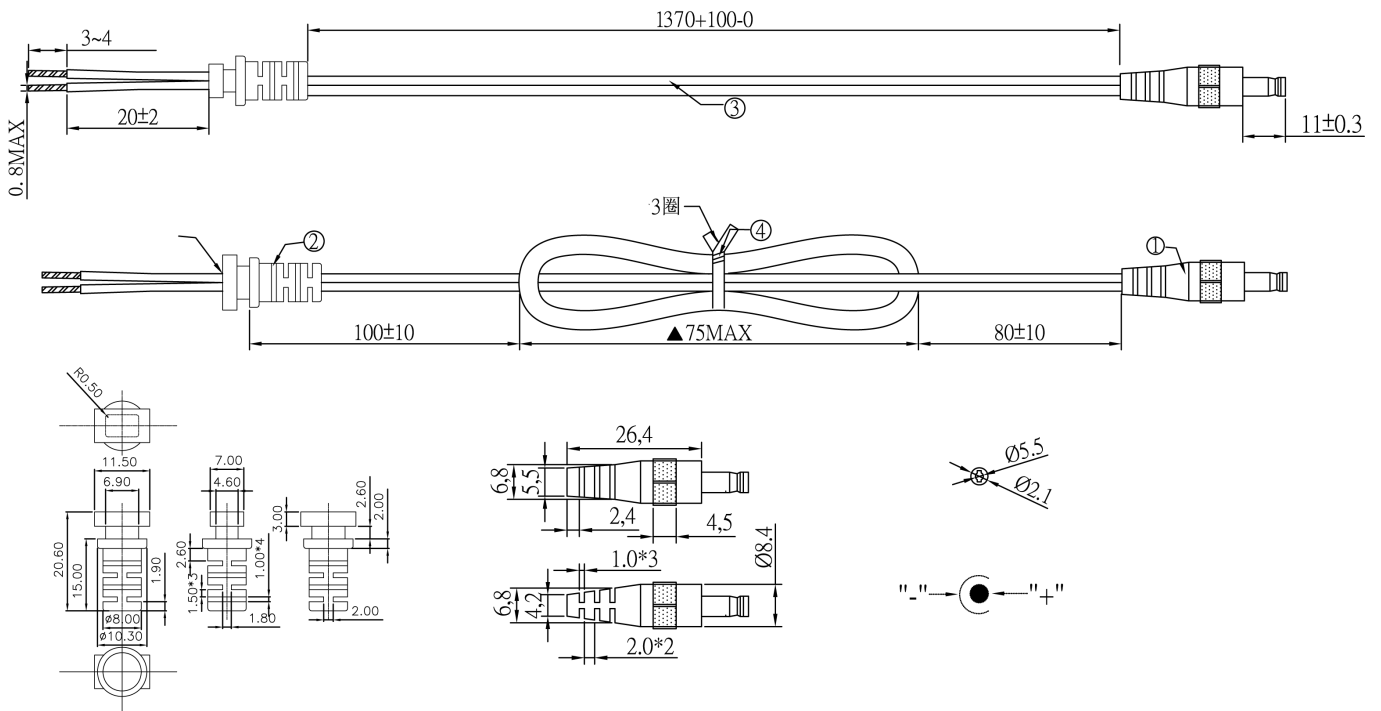
Output connector: standard: 2.1 x 5.5 x 11mm or customer requirement | Regulated Output With Low Ripple Noise | Safety Agency Requirements and EM/EMS Certified
 Private Label Marking Available | Modified and Custom Design Available | 2 Years Warranty

OUTPUT		CE	
Turn delay	3000 ms max @ AC low line input@output full load	EMC	2014/30/EU
Hold up time	8ms min@AC nominal input@output full load (>half cycle)	LVD	2014/35/EU EN 62368-1:2014+A11:2017
Efficiency (Normal)	>70.4%@115v/60HZ,230V/50HZ input &Full load	SAFETY	
Burn in limit	Full load 2 Hours	GS CE CB EAC	
Power consumption	Less than 0.1W rms max. At AC nominal input@output no load	OTHERS	
INPUT		Dielectric Strength(Hi-pot)	Primary to Secondary:3000VAC 10mA/60S
Voltage	(90~264)VAC	M.T.B.F	500,000 Calculated Hours at 25°C, by Telcordia SR-332
Frequency	(47~63)hz	Cable Length	1370mm (4.5 feet) standard cable or as required
Current	0.5A rms @ AC low line input and DC output full load	PLD (power line disturbance)	Line power surge Line voltage SAG-more info on request
Inrush Surge Current (cold start)	30/40A max@power supply cold start,ambient temperature 25°C @100Vac/230Vac nominal AC input	Cooling method	Natural Convection Cooling
leakage current	5mA Max	Housing material	PC
PROTECTION		Temperature coefficient:	< ±0.5% / °C
Over current/ Short protection	The power supply will self-protect any output to ground and auto recovery when abnormal circuit faults remove. An output short circuit is defined as any output impedance of less than	ENVIRONMENT	
Over Voltage	The power supply will be auto recovered when faults remove	Temperature	Operating: 0~40°C / Storage: -20~85°C
Input protection	The switching adaptor use 0.68/4.7/10 Ω resistance fuse.	Humidity	Operating: 8%~90%RH / Storage: 5%~95% RH non condens-ing
No Load protection	The power supply is provided with no load operation to prevent the power supply and system from damage.	WEIGHT	
Protection class	II	1PC	NW: 65g/pc
			GW: 80g/pc
		PACKING	
		PE plastic bag	100 pcs /1 box

Mechanical specification:



Cable specification:



Country of Origin : China
 Operating Temperature : 0~40[°C]
 Dimension : 68 × 42 × 29 [mm]
 Efficiency level (ErP) : VI



Approvals / Marks :



Specifications

Basic Models	Voltage DC [4.0V~24V]	Loading [A]	Max. Power [W]	Ripple / Noise [mV] p-p	Connector [mm]
SYS1121-0605-Wxx	5	0~1.2	6	200	2.1x5.5x11
SYS1121-0606-Wxx	6	0~1.0	6	200	2.1x5.5x11
SYS1121-06075-Wxx	7,5	0~0.8	6	200	2.1x5.5x11
SYS1121-0609-Wxx	9	0~0.66	6	200	2.1x5.5x11
SYS1121-0612-Wxx	12	0~0.5	6	200	2.1x5.5x11
SYS1121-0615-Wxx	15	0~0.4	6	200	2.1x5.5x11
SYS1121-0618-Wxx	18	0~0.33	6	200	2.1x5.5x11
SYS1121-0624-Wxx	24	0~0.25	6	200	2.1x5.5x11

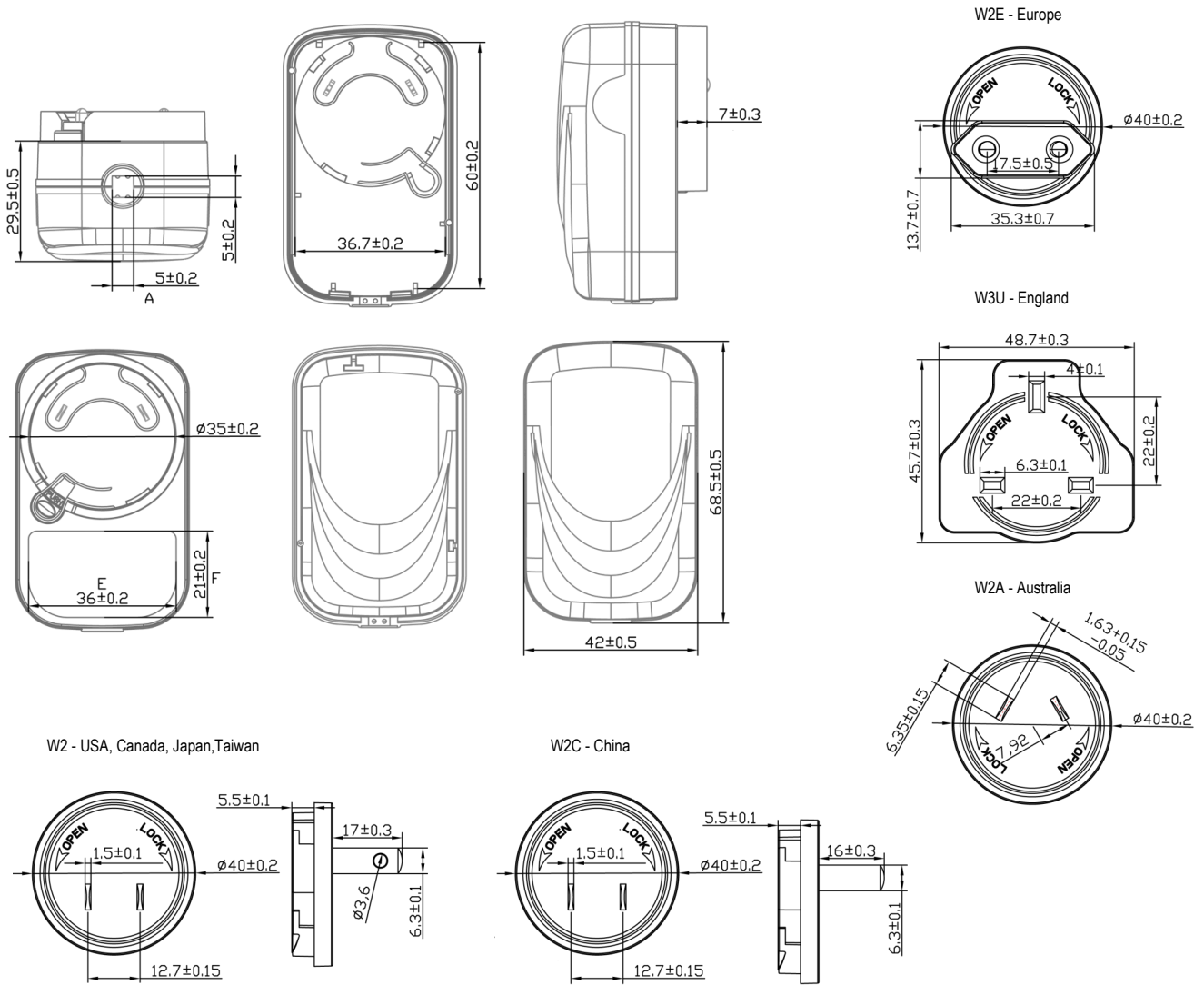
Features:

Certified plugs Wxx = W2E - Europe | W3U - England | W2 - USA, Canada, Japan, Taiwan | W2A - Australia | W2C - China

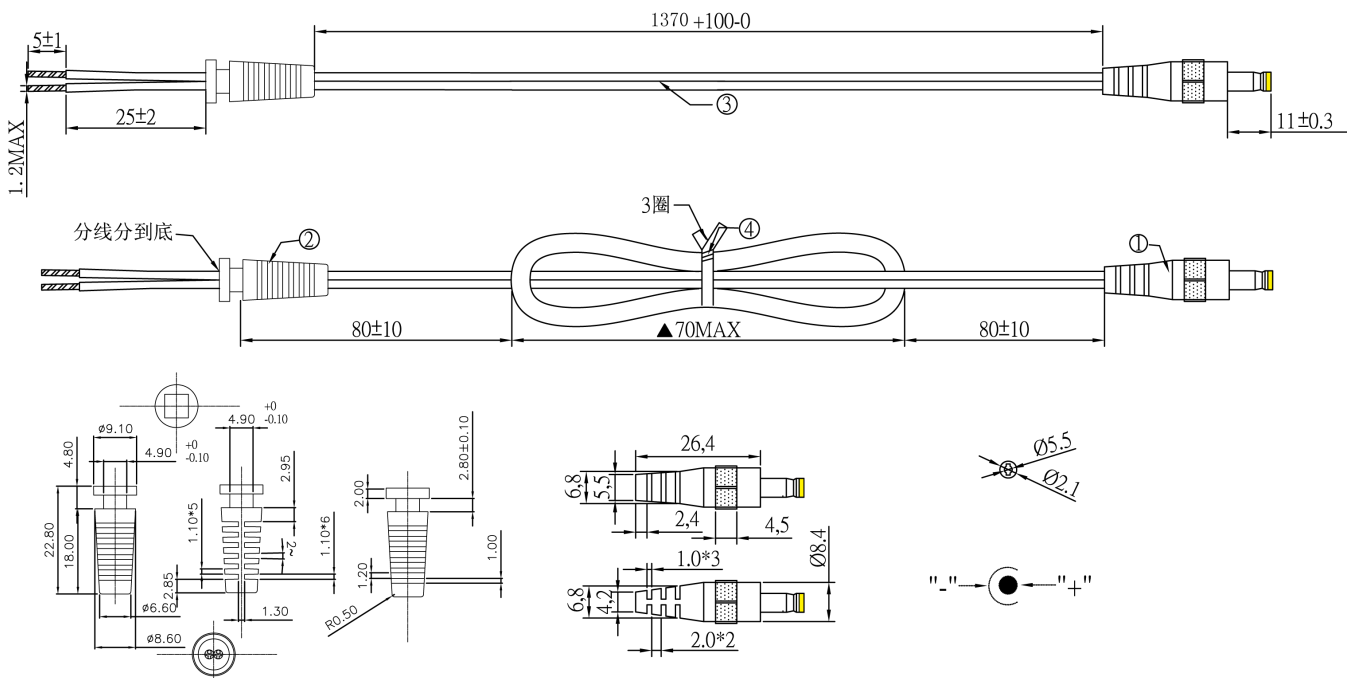
For all models, the minimum rising step of output voltage is 0.1V - 4.0V~24V 6W max | Private Label Marking Available | 2 Years Warranty

OUTPUT		CE	
Turn delay	3000ms max@AC low line input@output full load	EMC	2014/30/EU
Hold up time	8ms min@AC nominal input@output full load	LVD	2014/35/EU EN 62368-1:2014+A11:2017
Efficiency (Normal)	Meet DOE level VI	SAFETY	
Burn in limit	220VAC 80% Load (Ref) 4 hours & 40°C + 5°C -0°C	cUL FCC GS CE CB RCM SAA PSE EAC LVD UKCA BS BSMI CCC	
Power consumption	0.1W max. At AC nominal input@output min load	OTHERS	
INPUT		Dielectric Strength	I/P-O/P:3000VAC
Voltage	(90~264)VAC	M.T.B.F	500,000 Calculated Hours at 25°C, by Telcordia SR-332
Frequency	(47~63)hz	Cable Length	1370mm (4.5 feet) standard cable or as required
Current	0.5A rms@AC low line input and DC output full load	Cooling method	Natural Convection Cooling
Inrush Surge Current (cold start)	40/60A max@power supply cold start, ambient temperature 25°C @115Vac/230Vac nominal AC input	Housing material	PC
leakage current	< 5 mA max	Temperature coefficient:	< ±0.5% / °C
PROTECTION		ENVIRONMENT	
Over current/ Short protection	The power supply will be auto recovered when over current or short circuit faults remove (fold back). Is defined as any output impedance of less than 0.1Ω. The power supply will be auto	Temperature	Operating: 0~40°C / Storage: -20~85°C
Over Voltage	The power supply shall be self-recovering when the fault condition is removed.	Humidity	Operating: 8%~90%RH / Storage: 5%~95% RH non condensing
Input protection	F1:1A 250V Fuse The power supply shall be protected against	WEIGHT	
No Load protection	The power supply is provided with no load operation to prevent	NW: 69 g/pc (without plugs) + W2E plug 24g; W3U plug 19g; W2 plug 13g; W2A plug 13g	
Protection class	II	GW: 89 g/pc (without plugs)	
		PACKING	
		Box	100 pcs/1 box

Mechanical specification:



Cable specification:



Country of Origin : China
 Operating Temperature : 0~40 [°C]
 Efficiency level (ErP) : VI



Approvals / Marks :



Specifications

Model	Voltage DC [V]	Loading [A]	Max. Power [W]	Ripple / Noise [mV] p-p	Connector [mm]
SYS1638-0605-Wxx	5	0~1.2	6	250	2.1x5.5x11
SYS1638-0605-Wxx	5	0~1.2	6	250	Mini USB
SYS1638-0605-Wxx	5	0~1.2	6	250	Micro USB
SYS1638-0605-Wxx	5	0~1.2	6	250	USB inlet
SYS1638-0612-Wxx	12	0~0.5	6	200	2.1x5.5x11

Features:

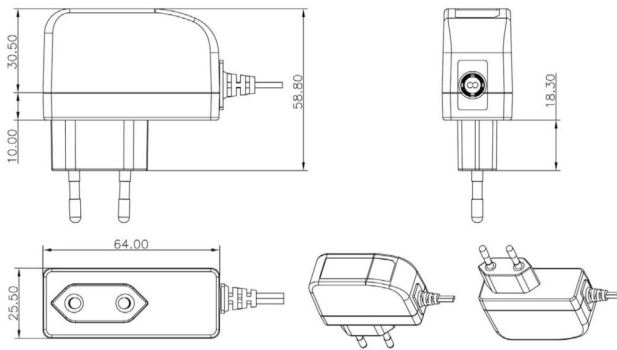
Certified plugs Wxx = W2E - Europe | W3U - England | W2 - USA, Canada, Japan, Taiwan | W2C - China | W2K - Korea
 Output connector: standard: 2.1 x 5.5 x 11mm or customer requirement | Regulated Output With Low Ripple Noise | Safety Agency Requirements and EMI/EMS Certified
 Private Label Marking Available | Modified and Custom Design Available | 2 Years Warranty

OUTPUT	
Turn delay	3000ms max@AC low line input@output full load
Hold up time	5ms min@AC nominal input@output full load
Efficiency (Normal)	>79.03%@115v/60HZ,230V/50HZ input & Full load
Transient response (dv, tmax)	0.6V dv max At AC nominal input loading from 20%load to 80% load
	Dynamic rise time 10 us max, duty 40ms max, Dynamic load step is slew rate of 0.5A/us
Power out. Limit	6W
Burn in limit	Full load 2 Hours
Power consumption	0.075W max. At AC nominal input@output min load
INPUT	
Voltage	(90~264)VAC
Frequency	(47~63)hz
Current	0.5A rms@AC low line input and DC output full load
Inrush Surge Current (cold start)	40/60A max@power supply cold start, ambient temperature 25°C @115Vac/230Vac nominal AC input
leakage current	0.25mA Max
PROTECTION	
Over current/ Short protection	The power supply will be auto recovered when over current or short circuit faults remove (fold back). Is defined as any output impedance of less than 0.1Ω. The power supply will be auto recovered when short circuit faults remove
Over Voltage	The power supply will not be auto recovered when faults remove 110%-150%. (Voltage limit)
Input protection	F1 1A/250V Fuse The power supply shall be protected against power line surges and any abnormal condition
No Load protection	The power supply is provided with no load operation to prevent the power supply and system from damage.
Protection class	II

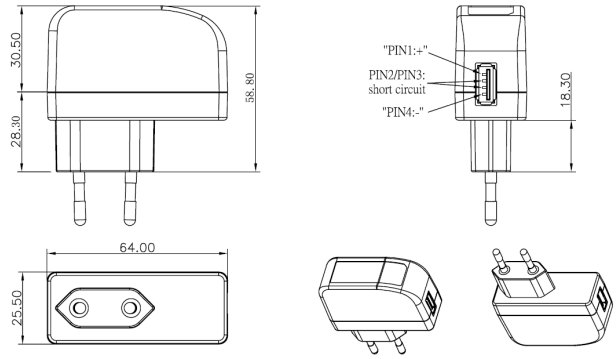
CE	
EMC	2014/30/EU
LVD	2014/35/EU EN 62368-1:2014+A11:2017
SAFETY	
CB CE GS FCC cULus UKCA	
OTHERS	
Dielectric Strength(Hi-pot)	Primary to Secondary:4000VAC 10mA/60S
M.T.B.F	500,000 Calculated Hours at 25°C, by Telcordia SR-332
Cable Length	1500mm (5 feet) standard cable or as required
PLD (power line disturbance)	Line power surge Line voltage SAG-more info on request
Cooling method	Natural Convection Cooling
Housing material	PC
Temperature coefficient:	< ±0.5% / °C
ENVIRONMENT	
Temperature	Operating: 0~40°C / Storage: -20~85°C
Humidity	Operating: 8%~90%RH / Storage: 5%~95% RH non condensing
WEIGHT	
1PC	NW: 79g/pc
	GW: 95g/pc
PACKING	
PE plastic bag	100 pcs /1 box

Mechanical case specification:

1) SYS1638-series (EU)

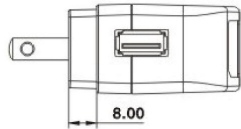


2) SYS1638-series (EU) / USB inlet

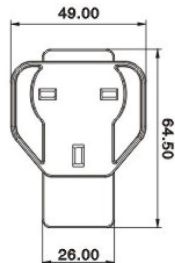


Mechanical specification (country housing):

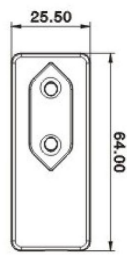
US / Japan type (W2)



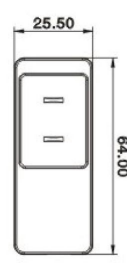
UK type (W3U)



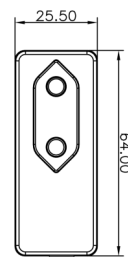
Europe type (W2E)



China type (W2C)

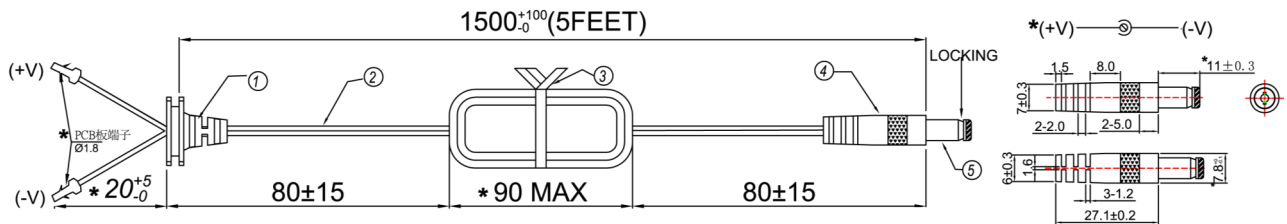


Korea (type W2K)

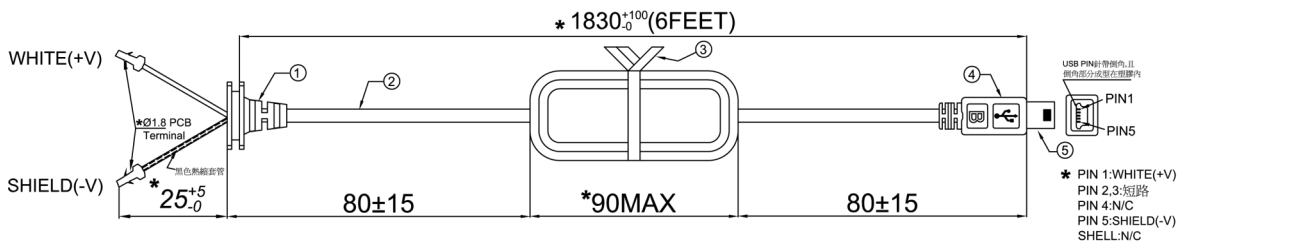


Cable specification:

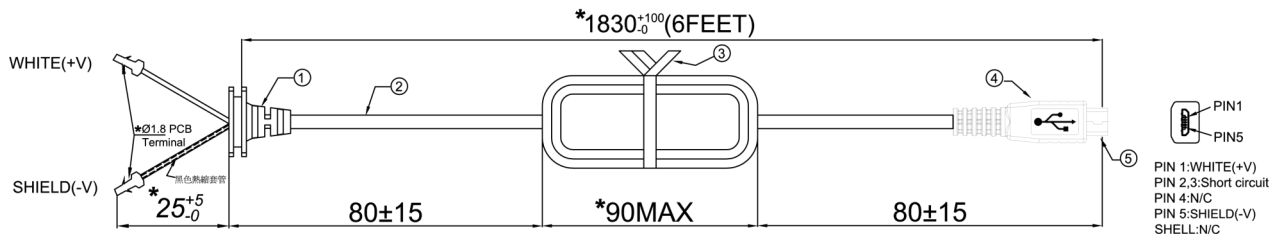
a) 2.1*5.5*11 (2468#22*2C/ 5FT)



b) mini USB (1185#22*1C+SHIELD / 6FT)



c) micro USB (1185#22*1C+SHIELD / 6FT)



Country of Origin : China
 Operating Temperature : 0~40 [°C]
 Dimension : 61 x 40 x 78 [mm]
 Efficiency level (ErP) : VI



Approvals / Marks :



Specifications

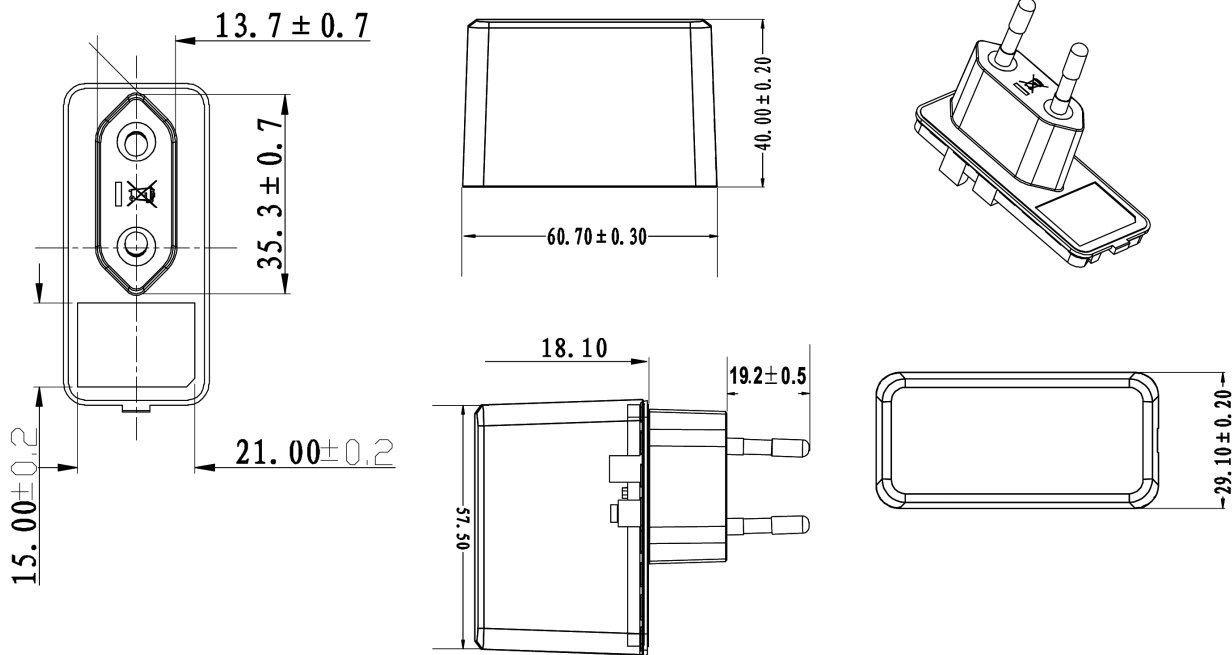
Model	Voltage DC [V]	Loading [A]	Max. Power [W]	Ripple / Noise [mV] p-p	Connector [mm]
SYS1058-0503-W2E	3,3	0~1.5	5	200	2.1x5.5x11
SYS1058-0605-W2E	5	0~1.2	6	200	2.1x5.5x11
SYS1058-0606-W2E	6	0~1	6	200	2.1x5.5x11
SYS1058-0609-W2E	9	0~0.66	6	200	2.1x5.5x11
SYS1058-0612-W2E	12	0~0.5	6	200	2.1x5.5x11
SYS1058-0615-W2E	15	0~0.4	6	200	2.1x5.5x11
SYS1058-0619-W2E	19	0~0.33	6	200	2.1x5.5x11
SYS1058-0624-W2E	24	0~0.25	6	200	2.1x5.5x11

Features:

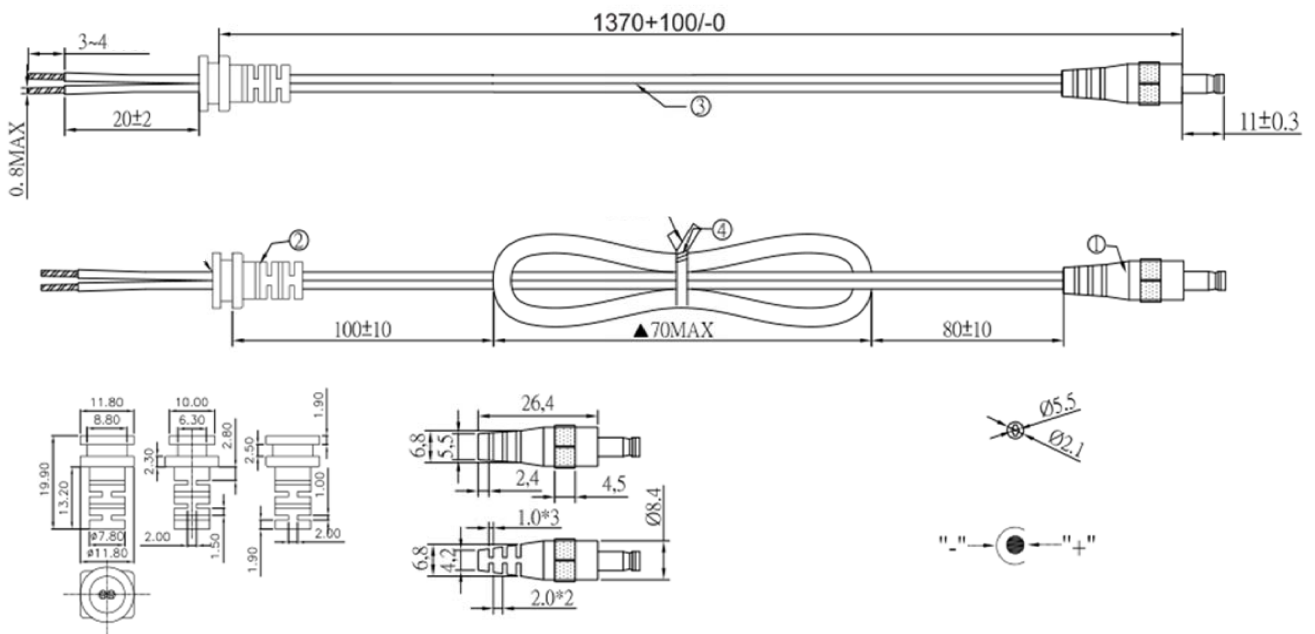
Certified plugs Wxx = W2E - Europe | W3U - England | W2 - USA, Canada, Japan, Taiwan | W2A - Australia | W2C - China | W2K - Korea
 Output connector: standard: 2.1 x 5.5 x 11mm or customer requirement | Regulated Output With Low Ripple Noise | Safety Agency Requirements and EMV/EMS Certified
 Private Label Marking Available | Modified and Custom Design Available | 2 Years Warranty

OUTPUT		CE	
Turn delay	5000ms max@AC low line input@output full load	EMC	EN 55014-1:2017 EN 55014-2: 2015
Hold up time	8ms min@AC nominal input@output full load	LVD	2014/35/EU EN 61558-2-16:2009 + A1:2013
Efficiency (Normal)	>78.88%@115v/60HZ,230V/50HZ input & Full load	SAFETY	
Transient response (dv,tmax)	0.4V dv max At AC nominal input loading from 20%load to 80% load 16ms tmax Dynamic rise time 10 us max,duty 40ms max,Dynamic load step is slew rate of 0.5A/us	CE GS ETL-UL1310 FCC RCM PSE CB CCC UKCA	
Power out.Limit	6W	OTHERS	
Burn in limit	Full load 2 Hours	Dielectric Strength (Hi-pot)	I/P-O/P:3000VAC
Power consumption	0.1W max. At AC nominal input@output min load	M.T.B.F	50,000 Calculated Hours at 25°C, according to the MIL-HDBK-217F
INPUT		Cable Length	1370mm (4.5 feet) standard cable or as required
Voltage	(90~264)VAC	PLD (power line disturbance)	Line power surge Line voltage SAG-more info on request
Frequency	(50-60)hz	Cooling method	Natural Convection Cooling
Current	0.2A Max@AC low line input and DC output full load	Housing material	PC
Inrush Surge Current (cold start)	40/60A max@power supply cold start,ambient temperature 25°C @115Vac/230Vac nominal AC input	Temperature coefficient:	<±0.5%/°C
leakage current	0.5mA Max	ENVIRONMENT	
PROTECTION		Temperature	Operating: 0~40°C / Storage: -20~-85° C
Over current/ Short protection	The power supply will be auto recovered when over current or short circuit faults remove (fold back). Is defined as any output impedance of less than 0.1Ω.The power supply will be auto recovered when short circuit faults remove	Humidity	Operating: 8%~90%RH / Storage: 5%~95% RH non condensing
Over Voltage	The power supply will not be auto recovered when faults remove 110%-150%. (Voltage limit)	WEIGHT	
Input protection	FR1:0.68/4.7/10 Ω resistance fuse The power supply shall be protected against power line surges and any abnormal condition	NW: 6.84Kg	
No Load protection	The power supply is provided with no load operation to prevent the power supply and system from damage.	GW:10.1Kg	
Protection class	II	PACKING	
		Box	100 pcs/1 box

Mechanical case specification:



Cable specification:





GREEN MODE

RoHS

Country of Origin : China
 Operating Temperature : 0~40 [°C]
 Dimension : 65 x 45 x 30 [mm]
 Certified AC Plugs: EU, UK, USA/Japan, Aus, China, Korea
 Efficiency level (ErP) : VI

Approvals / Marks :



Specifications

Model	Voltage DC [V]	Loading [A]	Max. Power [W]	Ripple / Noise [mV] p-p	Connector [mm]
SYS1561-1105-Wxx*	5	0~2.1	10.5	200	2.1x5.5x11
SYS1561-1105-Wxx*	5	0~2.1	10.5	200	micro USB
SYS1561-1105-Wxx*	5	0~2.1	10.5	200	USB-C
SYS1561-1105-Wxx*	5	0~2.1	10.5	200	USB inlet
SYS1561-11054-Wxx*	5.35	0~2.0	10.7	200	2.1x5.5x11
SYS1561-1006-Wxx*	6	0~1.66	10	200	2.1x5.5x11
SYS1561-1212-Wxx*	12	0~1.0	12	200	2.1x5.5x11

Features:

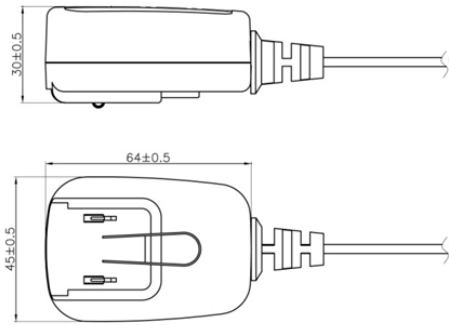
Certified plugs Wxx = W2E - Europe | W3U - England | W2 - USA, Canada, Japan, Taiwan | W2A - Australia | W2C - China | W2K - Korea | W2I - India
 Output connector: standard: 2.1 x 5.5 x 11mm or customer requirement | Regulated Output With Low Ripple Noise | Safety Agency Requirements and EMI/EMS Certified
 Private Label Marking Available | Modified and Custom Design Available | 2 Years Warranty

OUTPUT	
Turn delay	3000 ms max @ AC low line input@output full load
Hold up time	5ms min@AC nominal input@output full load (>half cycle)
Efficiency (Normal)	Meet CEC,DOE,ERP,MEPS Level VI @115v/60HZ,230V/50HZ
Transient response (dv,tmax)	0.3v dv max At AC nominal input loading from 50% load to max load or peak load 8ms tmax Dynamic rise time 10uS max , duty 40mS max , Dynamic load step is slew rate of 0.5A/uS
Power out.Limit	Peak 13W for SYS1561-1212
Burn in limit	Full load 2 Hours
Power consumption	Less than 0.075W ms max. At AC nominal input@output min load
INPUT	
Voltage	(90~264)VAC
Frequency	(47~63)hz
Current	0.5A rms @ AC low line input and DC output full load
Inrush Surge Current	40/60A max@power supply cold start,ambient temperature
leakage current	0.25mA Max
PROTECTION	
Over current/ Short protection	The power supply will self-protect any output to ground & auto recovery when abnormal circuit faults remove. An output short circuit is defined as any output impedance less than 0.1 ohms.
Over Voltage	The power supply will be auto recovered when faults remove
Input protection	F1:1A 250V Fuse The power supply shall be protected against power line surges and any abnormal condition
No Load protection	The power supply is provided with no load operation to prevent the power supply and system from damage.
Protection class	II, (ITU-T K.21 Surge 6KV on request)

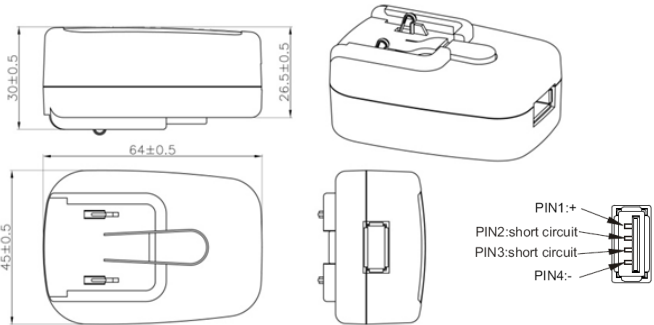
CE	
EMC	2014/30/EU
LVD	2014/35/EU EN 62368-1:2014+A11:2017
SAFETY	
CB CE GS FCC cULus CCC BSMI PSE KC(5Vonly) SAA RCM PSB(1005,1212) EAC BIS(1005,1105) UKCA	
OTHERS	
Dielectric Strength (Hi-pot)	Primary to Secondary:3000VAC 10mA/60S
M.T.B.F	500,000 Calculated Hours at 25°C, by Telcordia SR-332
Cable Length	1370mm (4.5 feet) standard cable or as required
PLD (power line disturbance)	Line power surge Line voltage SAG-more info on request
Cooling method	Natural Convection Cooling
Housing material	PC
Temperature coefficient:	< ±0.5% / °C
ENVIRONMENT	
Temperature	Operating: (0 ~ 40)°C / Storage: (-20 ~ 85)°C
Humidity	Operating: 8%~90%RH / Storage: 5%~95% RH non condensing
WEIGHT	
NW:	72g/pc
GW:	8.8kg/box 13.5kg/box (for USB inlet)
PACKING	
PE plastic bag	80 pcs / 1 box 180 pcs / 1box (for USB inlet)

Mechanical case specification:

1) Cable type

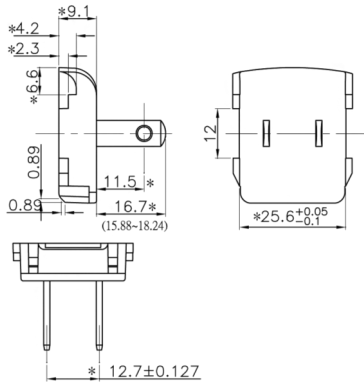


2) USB inlet type

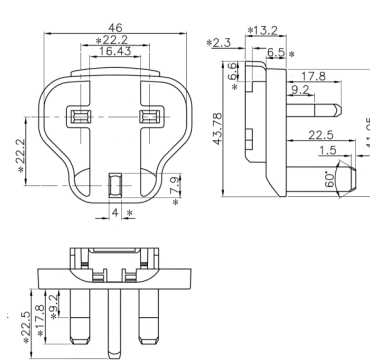


Mechanical specification (country housing):

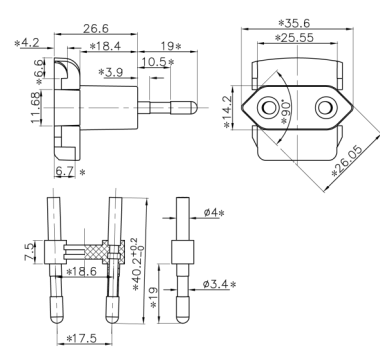
US / Japan type (W2)



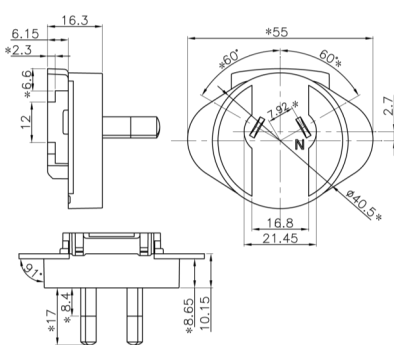
UK type (W3U)



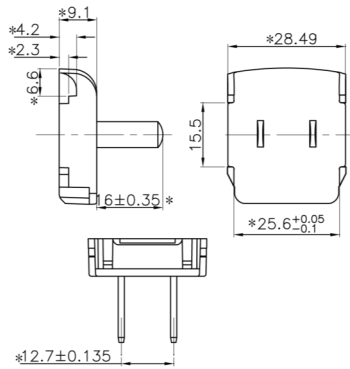
Europe type (W2E)



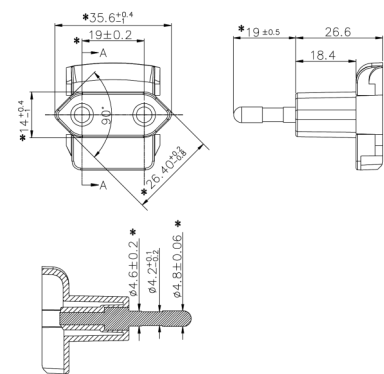
Australia type (W2A)



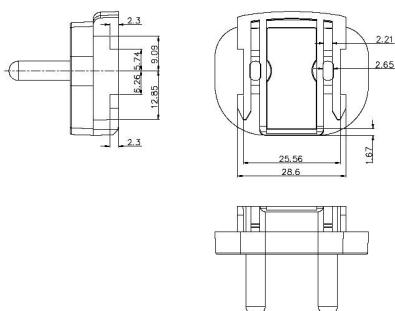
China type (W2C)



Korea type (W2K)



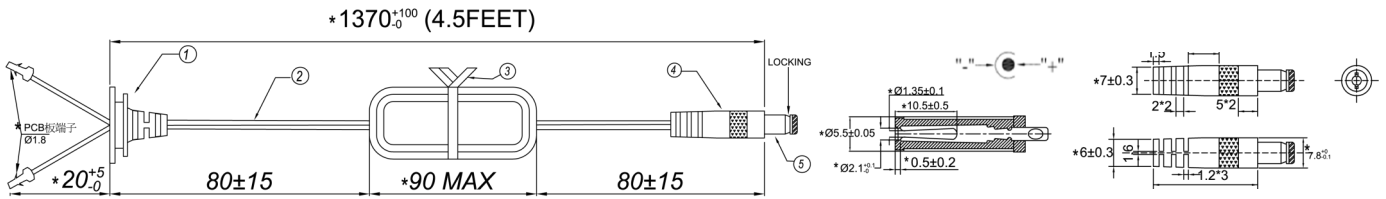
India type (W2I)



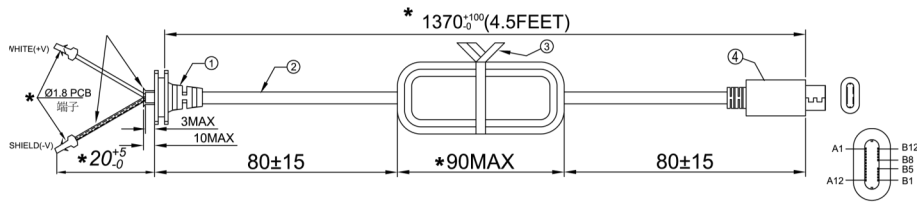
Cable specification:

2468#20*2C – SYS1561-1105-Wxx | 2468#24*2C – SYS1561-1212-Wxx

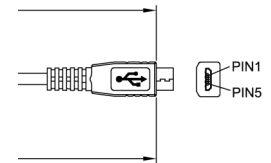
For 2.1x5.5 connector



For USB C connector



For micro USB connector



Country of Origin : China
 Operating Temperature : 0~40[°C]
 Dimension : 68 × 42 × 29 [mm]
 Efficiency level (ErP) : VI



Approvals / Marks :



Specifications

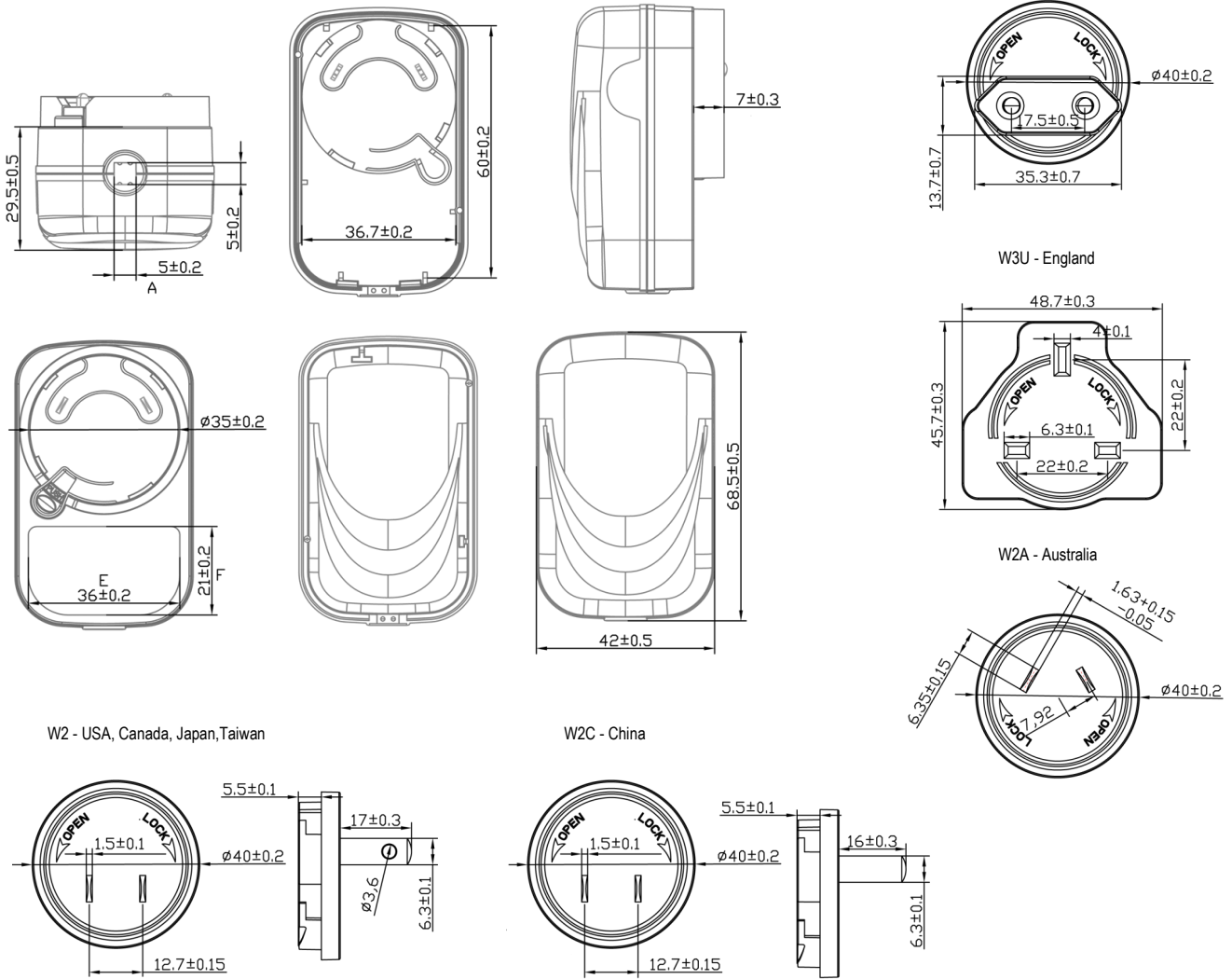
Basic Models	Voltage DC [4.0V~24V]	Loading [A]	Max. Power [W]	Ripple / Noise [mV] p-p	Connector [mm]
SYS1121-0909-Wxx	9	0~1.0	9	200	2.1x5.5x11
SYS1121-1105-Wxx	5	0~2.2	11	200	2.1x5.5x11
SYS1121-1106-Wxx	6	0~1.83	11	200	2.1x5.5x11
SYS1121-12075-Wxx	7,5	0~1.6	12	200	2.1x5.5x11
SYS1121-1209-Wxx	9	0~1.33	12	200	2.1x5.5x11
SYS1121-1212-Wxx	12	0~1.0	12	200	2.1x5.5x11
SYS1121-1215-Wxx	15	0~0.8	12	200	2.1x5.5x11
SYS1121-1218-Wxx	18	0~0.66	12	200	2.1x5.5x11
SYS1121-1224-Wxx	24	0~0.5	12	200	2.1x5.5x11

Features:

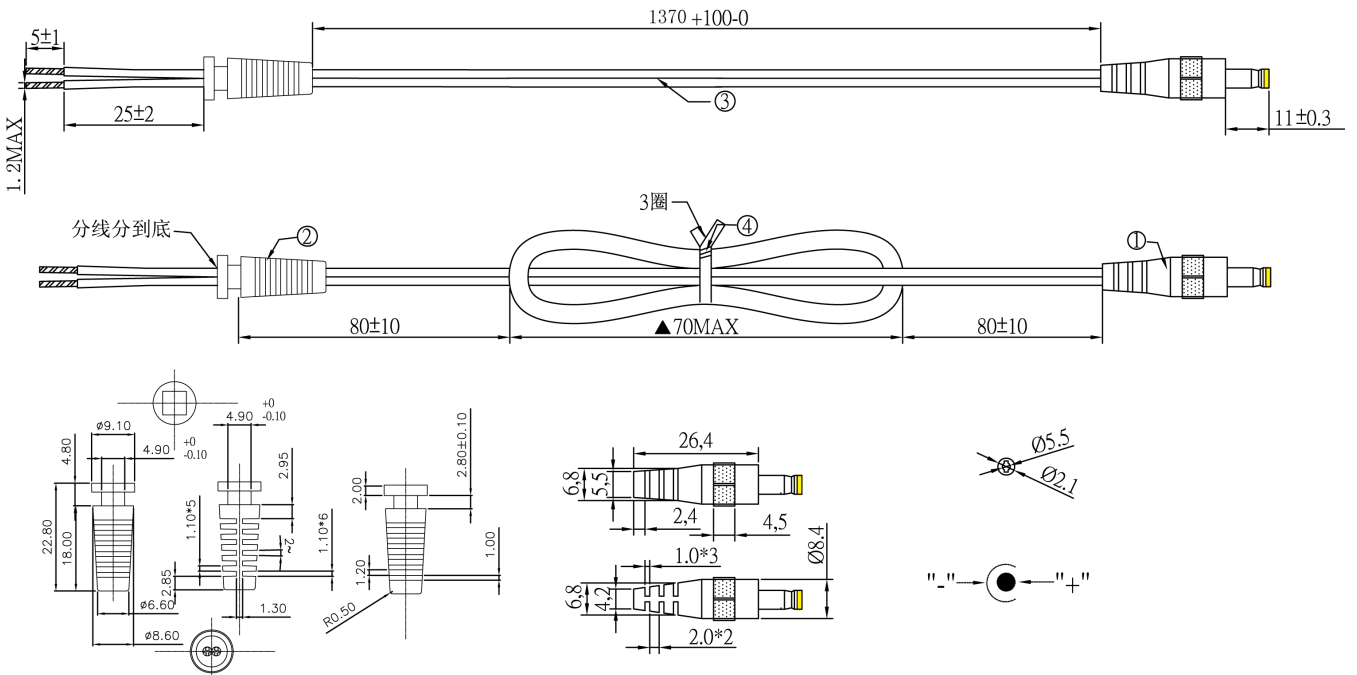
Certified plugs Wxx = W2E - Europe | W3U - England | W2 - USA, Canada, Japan, Taiwan | W2A - Australia | W2C - China
 For all models, the minimum rising step of output voltage is 0.1V - 4.0V~24V 12W max | Private Label Marking Available | 2 Years Warranty

OUTPUT		CE	
Turn delay	3000ms max@AC low line input@output full load	EMC	2014/30/EU
Hold up time	8ms min@AC nominal input@output full load	LVD	2014/35/EU EN 62368-1:2014+A11:2017
Efficiency (Normal)	Meet DOE level VI	SAFETY	
Burn in limit	220VAC 80% Load (Ref) 4 hours & 40°C + 5°C -0°C	cUL FCC GS CE CB RCM SAA PSE EAC UKCA BS BSMI CCC	
Power consumption	0.1W max. At AC nominal input@output min load	OTHERS	
INPUT		Dielectric Strength (Hi-pot)	I/P-O/P:3000VAC
Voltage	(90~264)VAC	M.T.B.F	500,000 Calculated Hours at 25°C, by Telcordia SR-332
Frequency	(47~63)hz	Cable Length	1370mm (4.5 feet) standard cable or as required
Current	0.5A rms@AC low line input and DC output full load	Cooling method	Natural Convection Cooling
Inrush Surge Current (cold start)	40/60A max@power supply cold start, ambient temperature 25°C @115Vac/230Vac nominal AC input	Housing material	PC
leakage current	< 5 mA max	Temperature coefficient:	< ±0.5% / °C
PROTECTION		ENVIRONMENT	
Over current/ Short protection	The power supply will be auto recovered when over current or short circuit faults remove (fold back). Is defined as any output impedance of less than 0.1Ω. The power supply will be auto	Temperature	Operating: 0~40°C / Storage: -20~85°C
Over Voltage	The power supply shall be self-recovering when the fault condition is removed.	Humidity	Operating: 8%~90%RH / Storage: 5%~95% RH non condensing
Input protection	F1:1A 250V Fuse The power supply shall be protected against	WEIGHT	
No Load protection	The power supply is provided with no load operation to prevent	NW: 69 g/pc (without plugs) + W2E plug 24g; W3U plug 19g; W2 plug 13g; W2A plug 13g	
Protection class	II	GW: 89 g/pc (without plugs)	
		PACKING	
		Box	100 pcs/1 box

Mechanical specification:



Cable specification:



Country of Origin : China
 Operating Temperature : 0~40 [°C]
 Dimension : 63.6 x 29.5 x 45.6 [mm]
 Efficiency level (ErP) : VI



Approvals / Marks :



Specifications

Basic Models	Voltage DC [V]	Loading [A]	Max. Power [W]	Ripple / Noise [mV] p-p	Connector [mm]
SYS1381N-1205-Wxx	5	0~2.4	12	150	2.1x5.5x11
SYS1381N-1205-Wxx	5	0~2.4	12	150	1.7x5.5x11
SYS1381N-1205-Wxx	5	0~2.4	12	150	Micro USB
SYS1381N-1206-Wxx	6	0~2.0	12	150	2.1x5.5x11
SYS1381N-1207-Wxx	7,5	0~1.6	12	150	2.1x5.5x11
SYS1381N-1209-Wxx	9	0~1.33	12	150	2.1x5.5x11
SYS1381N-1212-Wxx	12	0~1.0	12	150	2.1x5.5x11
SYS1381N-1215-Wxx	15	0~0.8	12	180	2.1x5.5x11
SYS1381N-1218-Wxx	18	0~0.66	12	200	2.1x5.5x11
SYS1381N-1224-Wxx	24	0~0.5	12	250	2.1x5.5x11

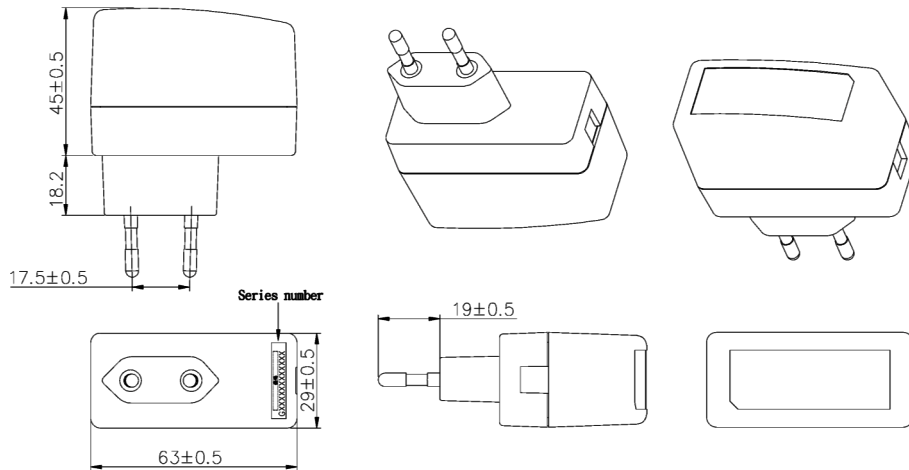
Features:

Certified plugs Wxx = W2E - Europe | W3U - England | W2 - USA, Canada, Japan, Taiwan | W2A - Australia | W2C - China

For all models, the minimum rising step of output voltage is 0.1V - 4.0V~24V 12W max | Private Label Marking Available | 2 Years Warranty

OUTPUT		CE	
Turn delay	5000ms max@AC low line input@output full load	EMC	2014/30/EU
Hold up time	10ms min@AC nominal input@output full load	LVD	2014/35/EU EN 62368-1:2014+A11:2017
Efficiency (Normal)	>79.94%min. Eff= 0.071 x ln(Po/1W) - 0.0014 x Po/1W + 0.67 Directive EU 2019/1782	SAFETY	
Transient response (dv,tmax)	0.3V dv max at AC nominal input loading from 50Ω load to max 16ms tmax Dynamic rise time 10 us max,duty 40ms max,Dynamic load step is slow rate of 0.5A/us	CE CB TUV/GS UKCA	
Burn in limit	Ambient temp: 35C+/-3%; 80% load; input voltage 230V; 2 hours.	OTHERS	
Power consumption	0.1W max. At AC nominal input@output min load	Dielectric Strength	HI-POT B / IEC 320 2pin primary to secondary 4000Vdc 10mA
INPUT		M.T.B.F	500,000 Calculated Hours at 25°C, by Telcordia SR-332
Voltage	(90~264)VAC	Cable Length	1370mm (4.5 feet) standard cable or as required
Frequency	(47~63)hz	PLD (power line disturbance)	Line power surge Line voltage SAG-more info on request
Current	0.5A rms@AC low line input and DC output full load	Cooling method	Natural Convection Cooling
Inrush Surge Current	40/60A max@power supply cold start,ambient temperature 25°C	Housing material	PC
leakage current	0.25 mA max	Temperature coefficient:	< ±0.5% / °C
PROTECTION		ENVIRONMENT	
Over current/ Short protection	The power supply will self-protect any output to ground, And auto recovery when abnormal circuit faults remove. An output short	Temperature	Operating: 0~40°C / Storage: -20~85°C
Over Voltage	The power supply will not be auto recovered when faults remove	Humidity	Operating: 8%~90%RH / Storage: 5%~95% RH non condensing
Input protection	F1:1A /250V Fuse. The power supply shall be protected against	WEIGHT	
No Load protection	The power supply is provided with no load operation to prevent	NW: 85 g/pc	
Protection class	II	Box: 11,5 kg	
		PACKING	
		Box	100 pcs/1 box

Mechanical case specification:



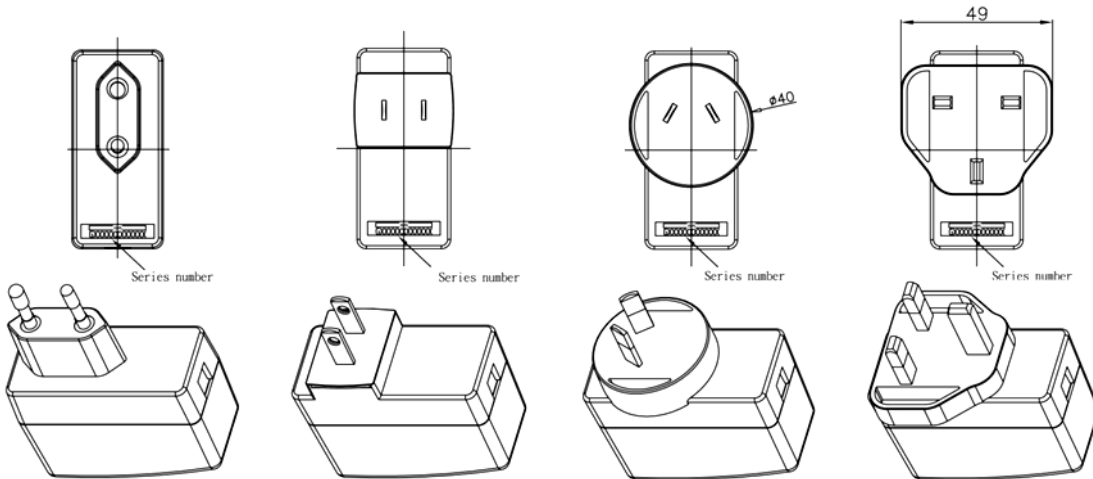
Mechanical specification (country housing):

Europe / Korea type (W2E/W2K)

US / Canada type (W2)

Australia type (W2A)

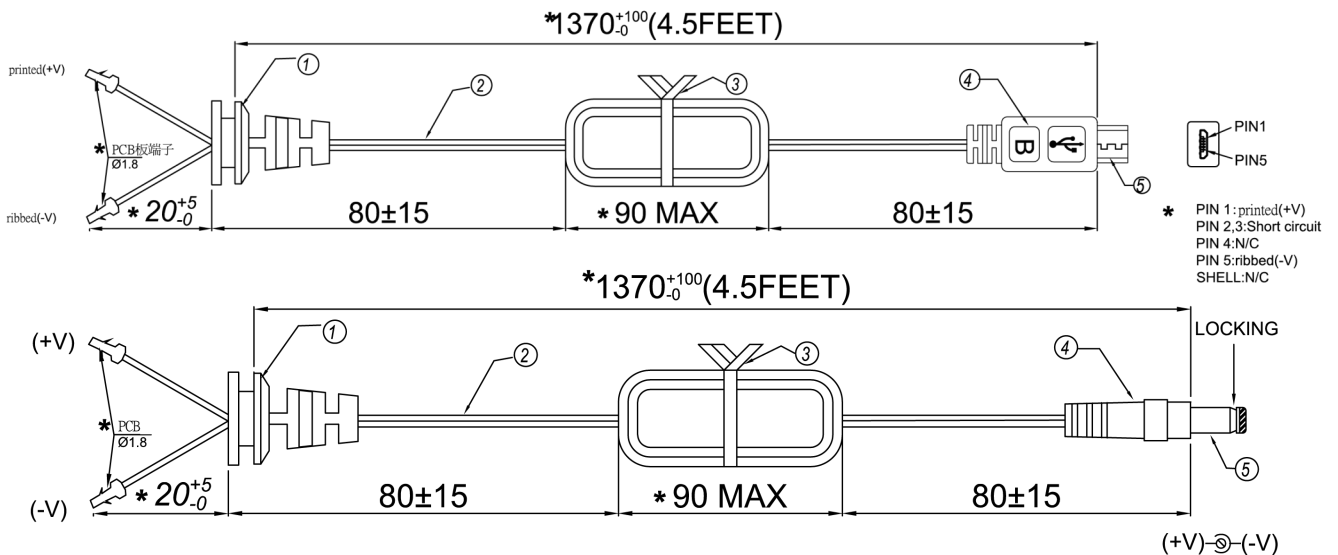
UK type (W3U)



Cable specification:

Connectors 2.1*5.5*11; 1.7*5.5*11; micro USB

Cable (2468#20*2C / 4.5FT)



Country of Origin : China
 Operating Temperature : 0~40 [°C]
 Dimension : 40 x 35x 33 [mm]
 AC Plugs: EU, UK, USA/Japan, Australia, China
 Efficiency level : VI



Approvals / Marks :



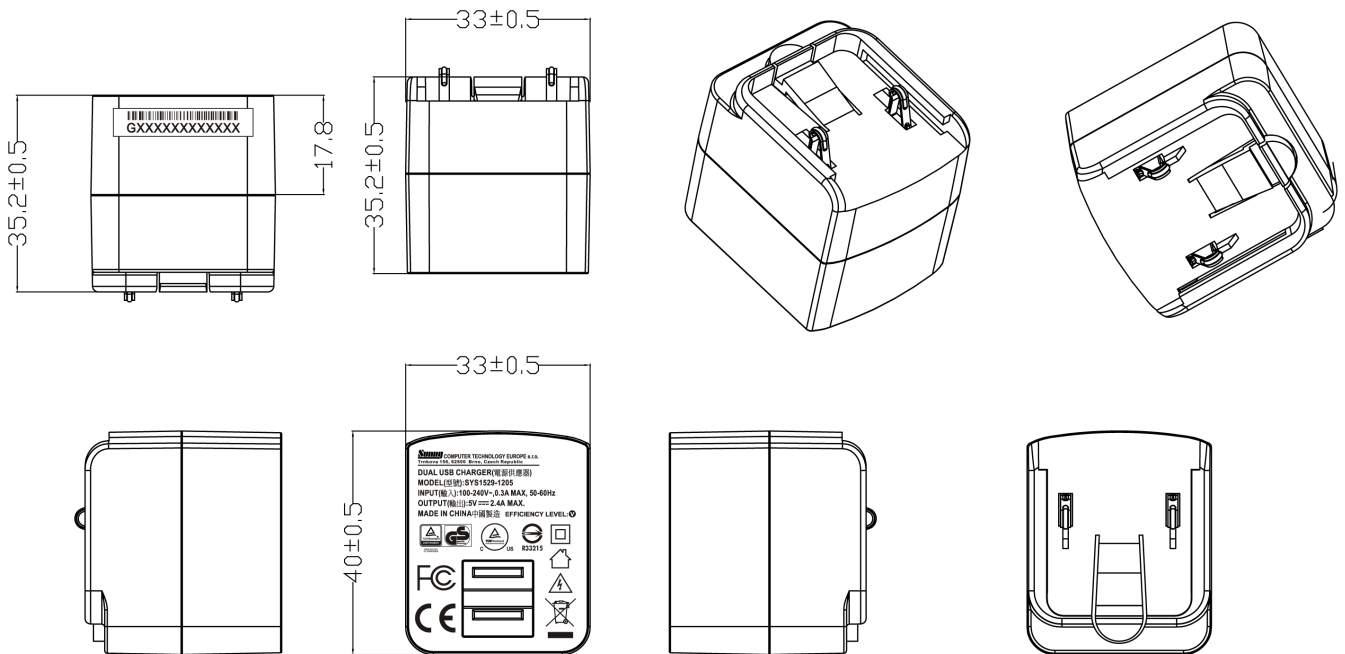
Features:

Dual USB inlet charger with Exchangeable AC Plugs.
 Wide range Input (90 ~ 264) VAC / (47 ~ 63) Hz.
 Customer can choose one or more from 5 AC plugs Wxx* (W2 - USA,Canada,Japan | W2A - Australia | W2C - China | W2E - Europe | W3U - England).
 Output connector: dual USB inlet

Specification:

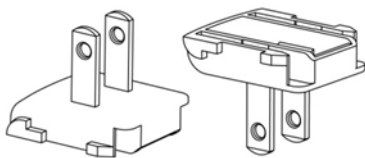
ErP V.	Model	Voltage DC [V]	Efficiency [%]	OCP [A]	OVP [V]	Max. Power [W]	Ripple & Noise [mV]p-p max.	Connector [mm]
	SYS1529-1205	5.0	75	2.5-3.0	max 10V	12	250	USB inlet
note	Max load: 2.4A if 1 USB port is used / 1.2A if 2 USB ports are used							
INPUT	Voltage	(90 ~ 264) VAC						
	Frequency	(47 ~ 63) Hz						
	Current	0.3 A at AC low line input and DC output full load						
	Input surge current	40A/60A max at power supply cold start, ambient temperature 25°C@115Vac/230Vac nominal AC input.						
	Power Efficiency	74.74% minimum average efficiency in active mode (Meet CEC V)						
PROTECTION	Over Current	The power supply will self-protect any output to ground.						
	Over Voltage	The power supply will not be auto recovered when faults remove 110%-150%. (Voltage limit)						
	Short Circuit	Is defined as any output impedance of less than 0.1Ω. The power supply will be auto recovered when short circuit faults remove.						
OUTPUT	Line regulation	-9 % / +5%						
	Hold up time	0.3ms min At AC nominal input@ output full load						
	Standby Power	0.3W max.						
	Cooling	Free air convection						
	M.T.B.F.	500,000 Calculated Hours at 25°C, by Telcordia SR-332						
	Withstand Voltage	I/P-O/P: 3000VAC						
ENVIRONMENT	Temperature	Operating: (0 ~ 40)°C / Storage: (-20 ~ 85)°C						
	Humidity	Operating: (8 ~ 90)% RH / Storage: (5 ~ 95)% RH						
SAFETY		CB FCC CE cTUVus GS UKCA						
CE	EMC	2014/30/EU						
	LVD	2014/35/EU EN 62368-1:2014+A11:2017						
WEIGHT	1pc	N.W.: 38g / pcs + plug						
PACKING	Box	0.455 x 0.390x 0.200 [m]						
		400pcs / 1box						
		G.W.: 18,1kg / box						

Mechanical case specification:

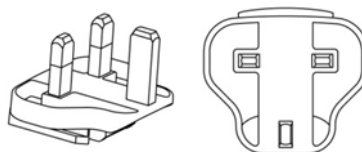


Mechanical specification (country housing):

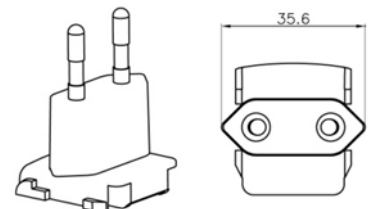
US / Japan type (W2)



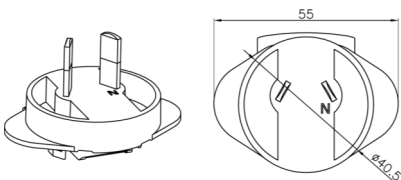
UK type (W3U)



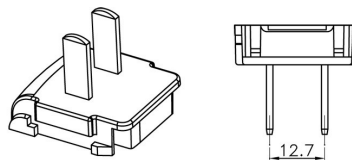
Europe type (W2E)



Australia type (W2A)



China type (W2C)



Country of Origin : China
 Operating Temperature : 0~40 [°C]
 Dimension : 74 x 29 x 79 [mm]
 Efficiency level (ErP) : VI



Approvals / Marks :



Specifications

Model	Voltage DC [V]	Loading [A]	Max. Power [W]	Ripple / Noise [mV] p-p	Connector [mm]
SYS1128-0903-W2E	3,3	0~2.5	8,3	200	2.1x5.5x11
SYS1128-1205-W2E	5	0~2.4	12	200	2.1x5.5x11
SYS1128-1206-W2E	6	0~2	12	200	2.1x5.5x11
SYS1128-1409-W2E	9	0~1.5	13,5	200	2.1x5.5x11
SYS1128-1512-W2E	12	0~1.25	15	200	2.1x5.5x11
SYS1128-1515-W2E	15	0~1	15	200	2.1x5.5x11
SYS1128-1218-W2E	18	0~0.66	12	200	2.1x5.5x11
SYS1128-1224-W2E	24	0~0.5	12	200	2.1x5.5x11

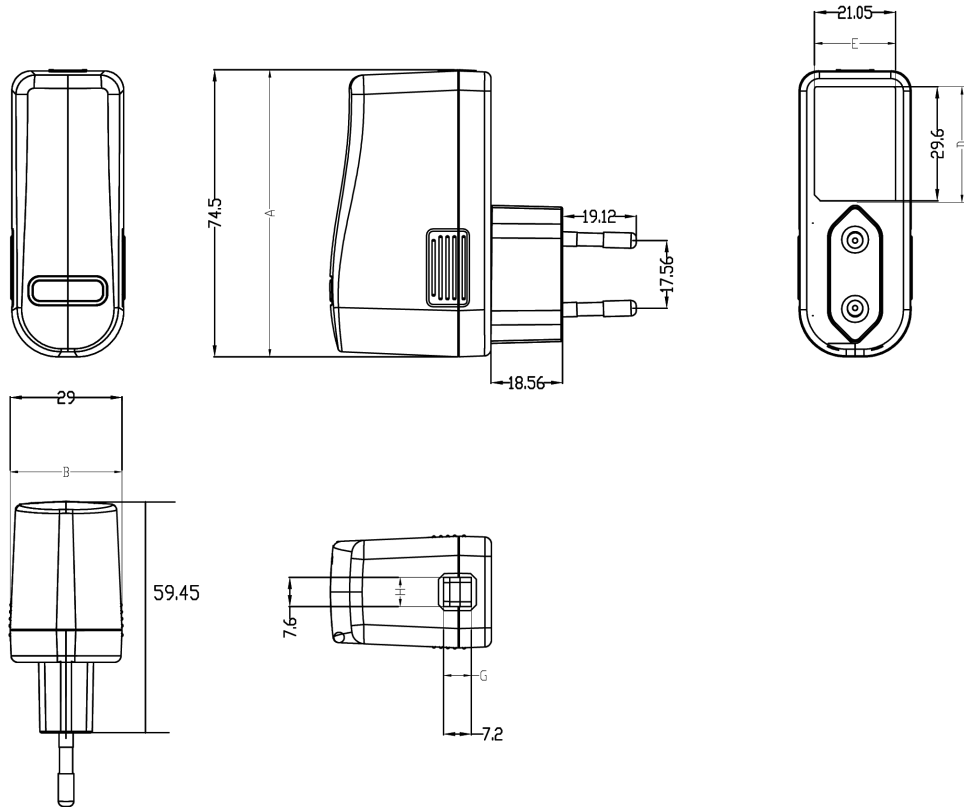
Features:

Certified plugs Wxx = W2E - Europe | W3U - England | W2 - USA, Canada, Japan, Taiwan | W2A - Australia | W2C - China | W2K - Korea
 Output connector: standard: 2.1 x 5.5 x 11mm or customer requirement | Regulated Output With Low Ripple Noise | Safety Agency Requirements and EM/EMS Certified
 Private Label Marking Available | Modified and Custom Design Available | 2 Years Warranty

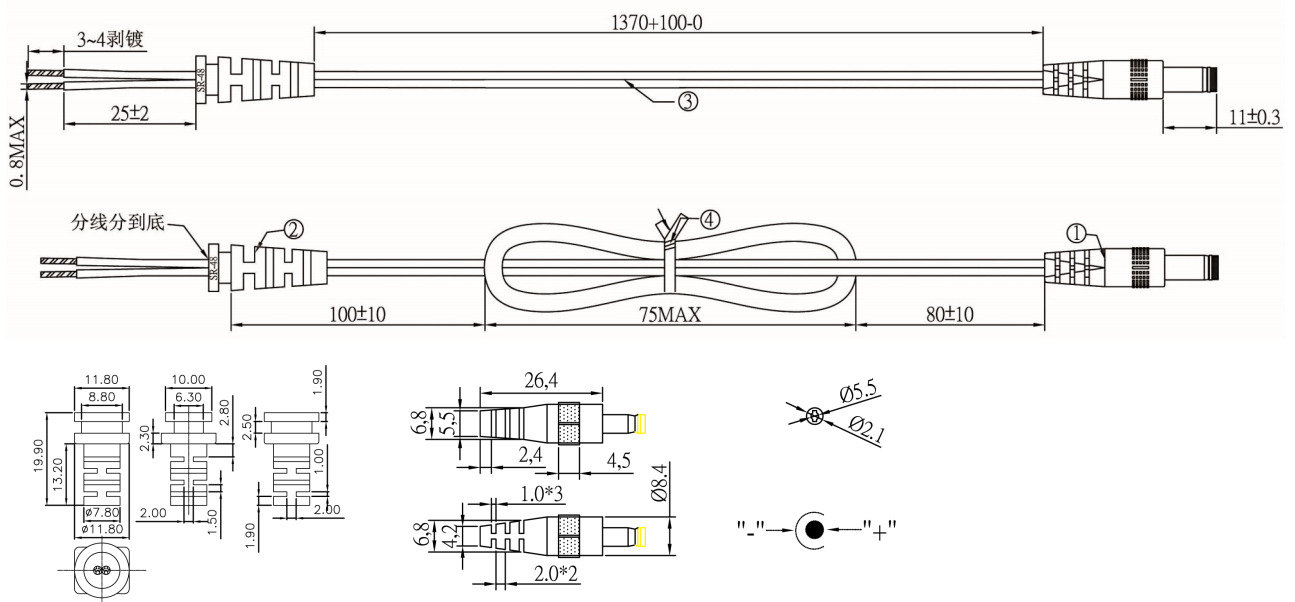
OUTPUT	
Turn delay	5000ms max@AC low line input@output full load
Hold up time	8ms min@AC nominal input@output full load
Efficiency (Normal)	>84.13%@115v/60HZ,230V/50HZ input & Full load 15W Max
Transient response (dv,tmax)	0.4V dv max At AC nominal input loading from 20%load to 80% load
	16ms tmax Dynamic rise time 10 us max,duty 40ms max,Dynamic load step is slow rate of 0.5A/us
Power out.Limit	15W
Burn in limit	Full load 2 Hours
Power consumption	0.1W max. At AC nominal input@output min load
INPUT	
Voltage	(90~264)VAC
Frequency	(50-60)hz
Current	0.5A Max@AC low line input and DC output full load
Inrush Surge Current (cold start)	40/60A max@power supply cold start,ambient temperature 25°C @115Vac/230Vac nominal AC input
leakage current	0.5mA Max
PROTECTION	
Over current/ Short protection	The power supply will be auto recovered when over current or short circuit faults remove (fold back). Is defined as any output impedance of less than 0.1Ω. The power supply will be auto recovered when short circuit faults remove
Over Voltage	The power supply will not be auto recovered when faults remove 110%-150%. (Voltage limit)
Input protection	FR1:0.68/4.7/10 Ω resistance fuse The power supply shall be protected against power line surges and any abnormal condition
No Load protection	The power supply is provided with no load operation to prevent the power supply and system from damage.
Protection class	II

CE	
EMC	EN 55014-1:2017 EN 55014-2: 2015
	LVD
SAFETY	
CE GS ETL-UL1310 FCC RCM PSE CB CCC UKCA	
OTHERS	
Dielectric Strength (Hi-pot)	I/P-O/P:3000VAC
M.T.B.F	50,000 Calculated Hours at 25°C, according to the MIL-HDBK-217F
Cable Length	1370mm (4.5 feet) standard cable or as required
PLD (power line disturbance)	Line power surge Line voltage SAG-more info on request
Cooling method	Natural Convection Cooling
Housing material	PC
Temperature coefficient:	<±0.5%/°C
ENVIRONMENT	
Temperature	Operating: 0~40°C / Storage: -20~-85° °C
Humidity	Operating: 8%~90%RH / Storage: 5%~95% RH non condensing
WEIGHT	
NW:	8.44Kg
GW:	11.7Kg
PACKING	
Box	100 pcs/1 box

Mechanical case specification:



Cable specification:



Country of Origin : China
 Operating Temperature : 0~40 [°C]
 Dimension : 64 x 27x 76 [mm]
 Efficiency level (ErP) : VI



Approvals / Marks :



Specifications

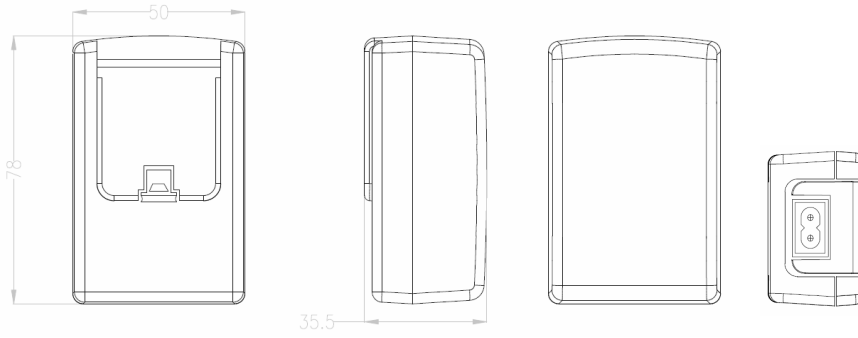
Model	Voltage DC [V]	Loading [A]	Max. Power [W]	Ripple / Noise [mV] p-p	Connector [mm]
SYS1888-1505	5	0~3.0	15	200	2.1x5.5x11
SYS1888-18075	7.5	0~2.4	18	200	2.1x5.5x11
SYS1888-1809	9	0~2.0	18	200	2.1x5.5x11
SYS1888-1812	12	0~1.5	18	200	2.1x5.5x11
SYS1888-1815	15	0~1.25	18	200	2.1x5.5x11
SYS1888-1818	18	0~1.0	18	200	2.1x5.5x11
SYS1888-1824	24	0~0.75	18	200	2.1x5.5x11

Features:

Certified plugs Wxx = W2E - Europe | W3U - England | W2 - USA, Canada, Japan, Taiwan | W2A - Australia | T2 - Desktop
 Output connector: standard: 2.1 x 5.5 x 11mm or customer requirement | Regulated Output With Low Ripple Noise | Safety Agency Requirements and EMI/EMS Certified
 Private Label Marking Available | Modified and Custom Design Available | 2 Years Warranty

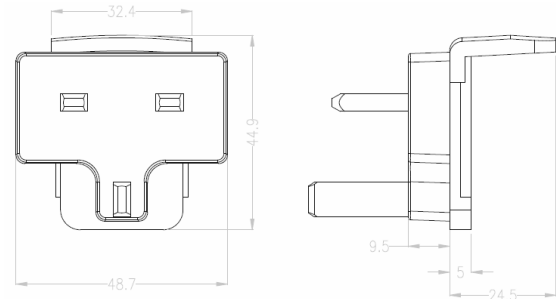
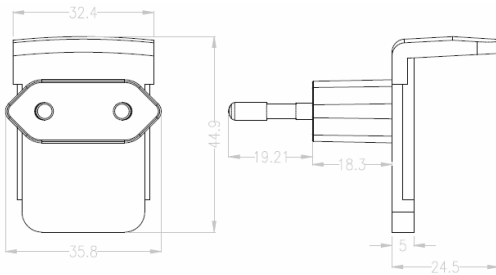
OUTPUT		CE	
Turn delay	3000ms max@AC low line input@output full load	EMC	2014/30/EU
Hold up time	8ms min@AC nominal input@output full load	LVD	2014/35/EU EN 62368-1:2014+A11:2017
Efficiency (Normal)	>84.3%@115v/60HZ,230V/50HZ input & Full load	SAFETY	
Transient response (dv,tmax)	0.4V dv max At AC nominal input loading from 20%load to 80% load 16ms tmax Dynamic rise time 10 us max,duty 40ms max,Dynamic load step is slew rate of 0.5A/us	cTUVus FCC GS CE CB RCM SAA PSE UKCA	
Power out.Limit	18W	OTHERS	
Burn in limit	220VAC 80% Load (Ref) 4hours & 40°C + 5°C -0°C	Dielectric Strength (Hi-pot)	I/P-O/P:3000VAC
Power consumption	0.1W max. At AC nominal input@output min load	M.T.B.F	50,000 Calculated Hours at 25°C, according to the MIL-STD-217F
INPUT		Cable Length	1370mm (4.5 feet) standard cable or as required
Voltage	(90~264)VAC	PLD (power line disturbance)	Line power surge Line voltage SAG-more info on request
Frequency	(50~60)hz	Cooling method	Natural Convection Cooling
Current	0.5A rms@AC low line input and DC output full load	Housing material	PC + ABS
Inrush Surge Current (cold start)	30/40A max@power supply cold start,ambient temperature 25°C @100Vac/240Vac nominal AC input	Temperature coefficient:	<±0.5%/°C
leakage current	5mA Max	ENVIRONMENT	
PROTECTION		Temperature	Operating: 0~40°C / Storage: -20%~80%RH non condensing
Over current/ Short protection	The power supply will be auto recovered when over current or short circuit faults remove (fold back). Is defined as any output impedance of less than 0.1Ω. The power supply will be auto recovered when short circuit faults remove	Humidity	Operating: 8%~90%RH / Storage: 5%~90% RH non condensing
Over Voltage	The power supply will not be auto recovered when faults remove 110%-150%. (Voltage limit)	WEIGHT	
Input protection	F1:1A 250V Fuse The power supply shall be protected against power line surges and any abnormal condition	NW: 105g/pc + plug	
No Load protection	The power supply is provided with no load operation to prevent the power supply and system from damage.	GW: 122g/pc + plug	
Protection class	II	PACKING	
		Box	100 pcs/1 box

Mechanical case specification:



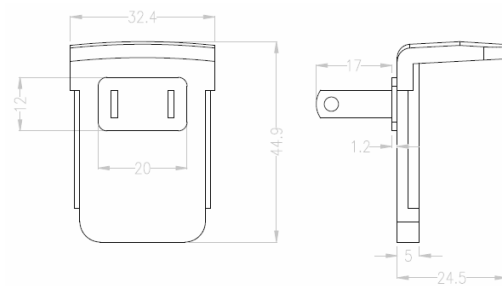
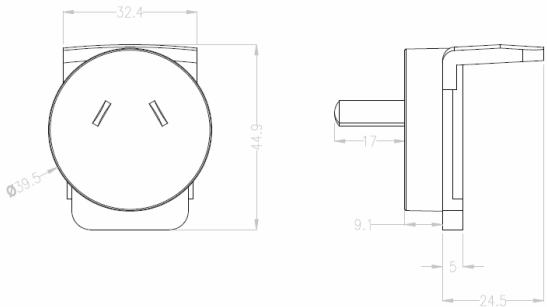
Europe type (W2E)

UK type (W3U)



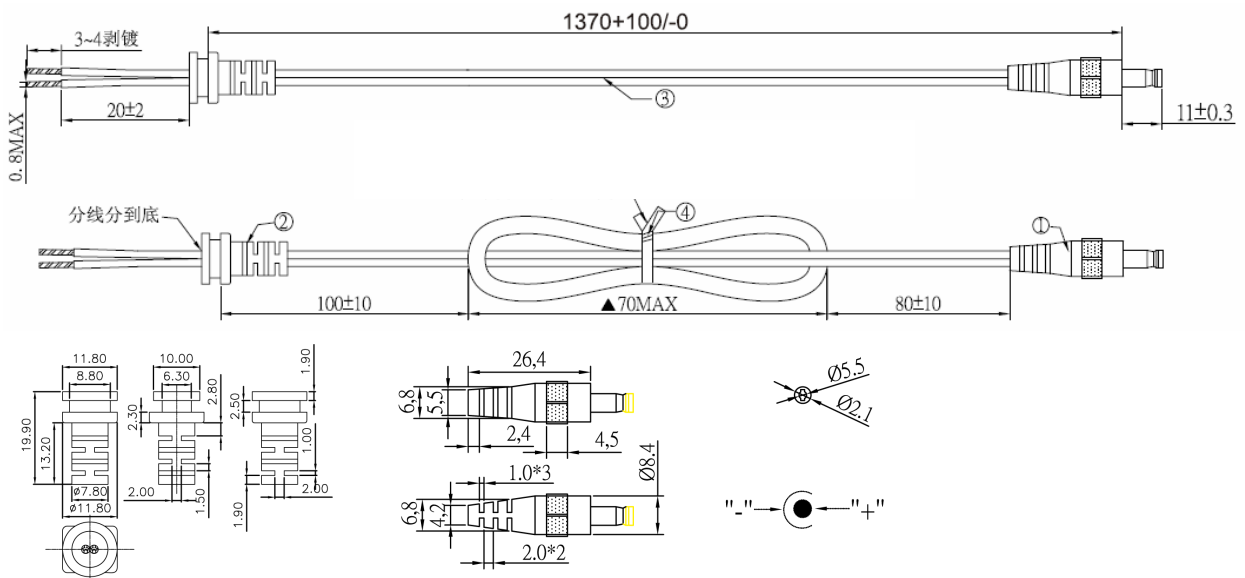
Australia type (W2A)

US / Japan type (W2)



Cable specification:

2468# 24Awg for 15V/ 18V/ 24V
2468# 22Awg for 9V/ 12V
2468# 20Awg for 7.5V/ 6V/ 5V



Country of Origin : China
 Operating Temperature : 0~40 [°C]
 Dimension : 70 x 27 x 76 [mm]
 Efficiency level (ErP) : VI



Approvals / Marks :



Specifications

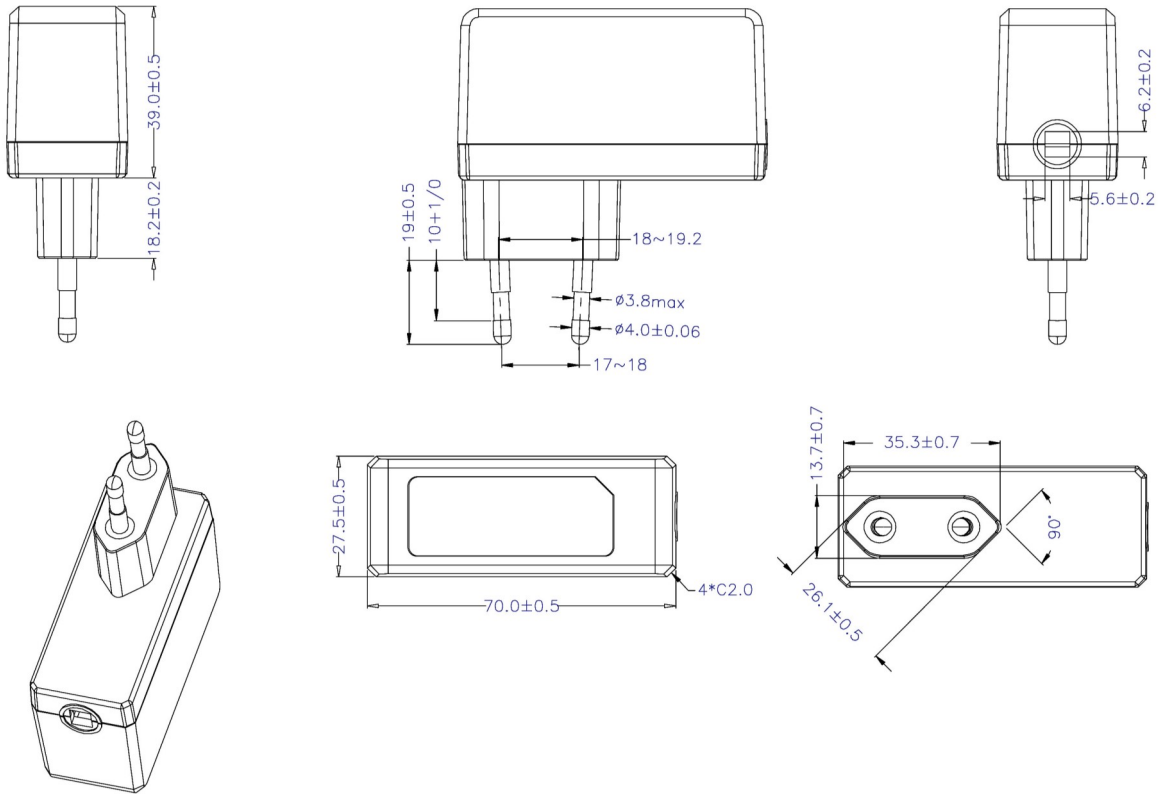
Model	Voltage DC [V]	Loading [A]	Max. Power [W]	Ripple / Noise [mV] p-p	Connector [mm]
SYS1181-1505-W2E	5	0~3.0	15	200	2.1x5.5x11
SYS1181-1506-W2E	6	0~2.5	15	200	2.1x5.5x11
SYS1181-1809-W2E	9	0~2.0	18	200	2.1x5.5x11
SYS1181-1812-W2E	12	0~1.5	18	200	2.1x5.5x11
SYS1181-1815-W2E	15	0~1.2	18	200	2.1x5.5x11
SYS1181-1818-W2E	18	0~1.0	18	200	2.1x5.5x11
SYS1181-1824-W2E	24	0~0.75	18	200	2.1x5.5x11

Features:

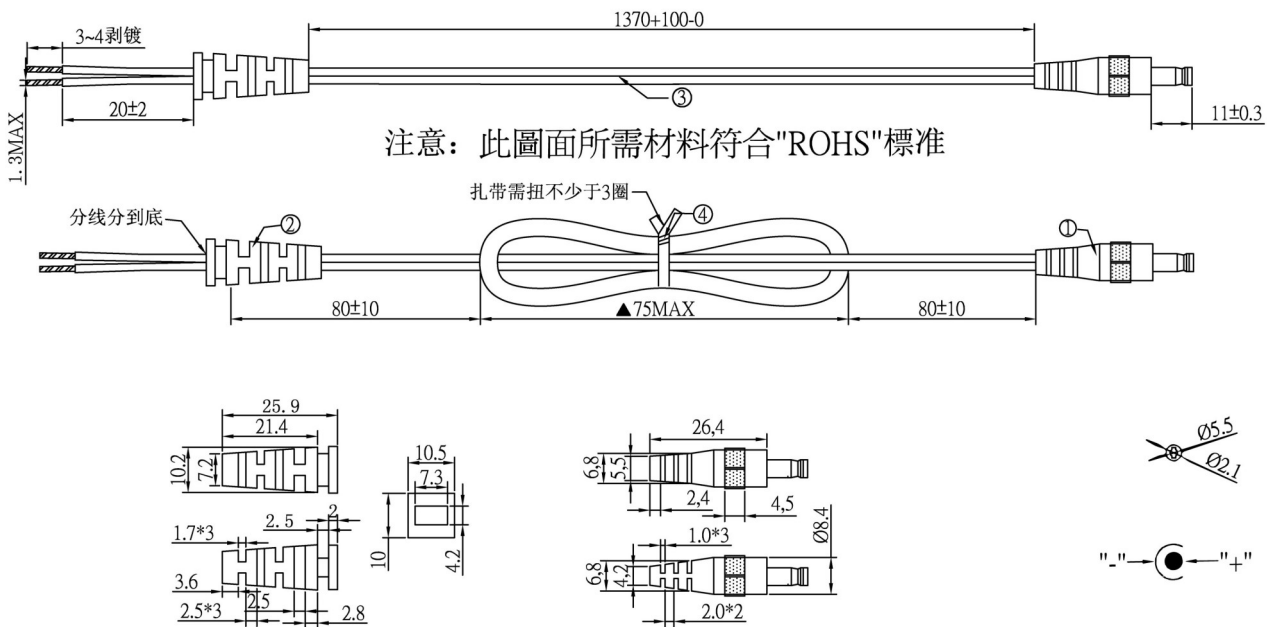
Output connector: standard: 2.1 x 5.5 x 11mm or customer requirement | Regulated Output With Low Ripple Noise | Safety Agency Requirements and EMI/EMS Certified
 Private Label Marking Available | Modified and Custom Design Available | 2 Years Warranty

INPUT OUTPUT	Voltage	90-264VAC
	Current	0.5A max At 100VAC & 240VAC@full load
	Inrush Current	40/60A max At cold start, ambient temperature 25°C nominal AC input 100VAC/240VAC
	Power consumption	0.1W max. with output no load at 115VAC/230VAC input
	Efficiency	Meet ERP level VI
	Hold up time	8mS min At AC nominal input @ output full load
	Turn delay	5000mS max. At AC low line input @ output full load.
	Ripple noise	200mV
	Burn-in	220VAC 80% Load (Ref) 4hours & 40°C +/- 5
PROTECTION	Over current Short protection	Automatic recovery
	Over Voltage	The power supply shall be self-recovering when the fault condition is removed
	Input protection	The switching adaptor use 3.15A fuse
	Protection class	Class II
SAFETY	CE EMC	2014/30/EU
	CE LVD	2014/35/EU EN 62368-1:2014+A11:2017
	Safety approvals	TUV/GS CE
	Dielectric Strength (Hi-pot)	AC3000V,5.0mA,1 minute for type test
	Leakage current	0.25 mA max.
ENVIRONMENTAL	Temperature	Operating: 0~40°C / Storage: -25~50°C
	Humidity	Operating: 20%~80%RH / Storage:5%~95% RH
	Cooling	The power supply will operate with convection cooling. Blocking of vents must not cause damage to the power supply.
OTHER	MTBF	MTBF shall be least 50,000 hours at 25°C (MIL-HDBK-217F)
	Weight	95±3.5 g
	Dimension	70x27x76 mm
	Packing	100 pcs 1 box

Mechanical case specification:



Cable specification:



Country of Origin : China
 Operating Temperature : 0~40 [°C]
 Dimension : 70 x 40 x 33 [mm]
 Efficiency level (ErP) : VI



Approvals / Marks :



Specifications

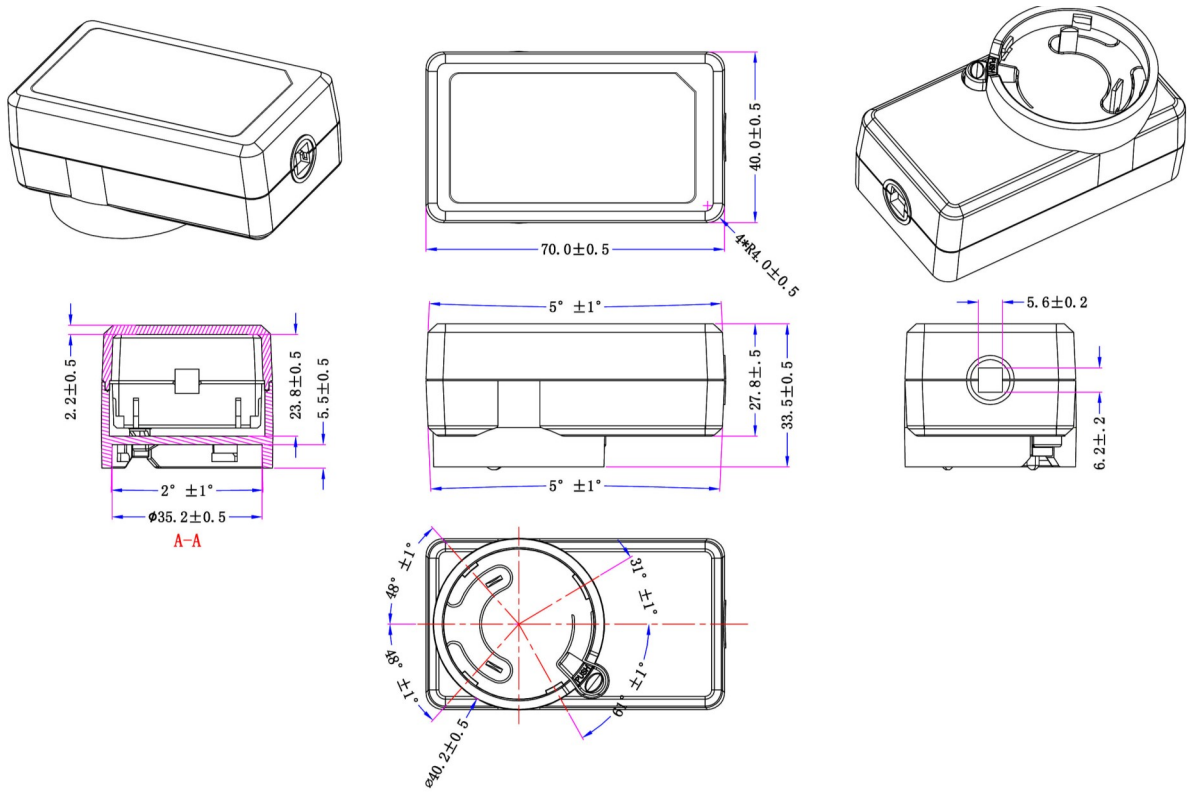
Model	Voltage DC [V]	Loading [A]	Max. Power [W]	Ripple / Noise [mV] p-p	Connector [mm]
SYS1181-1505-Wxx	5	0~3.0	15	200	2.1x5.5x11
SYS1181-1506-Wxx	6	0~2.5	15	200	2.1x5.5x11
SYS1181-1809-Wxx	9	0~2.0	18	200	2.1x5.5x11
SYS1181-1812-Wxx	12	0~1.5	18	200	2.1x5.5x11
SYS1181-1815-Wxx	15	0~1.2	18	200	2.1x5.5x11
SYS1181-1818-Wxx	18	0~1.0	18	200	2.1x5.5x11
SYS1181-1824-Wxx	24	0~0.75	18	200	2.1x5.5x11

Features:

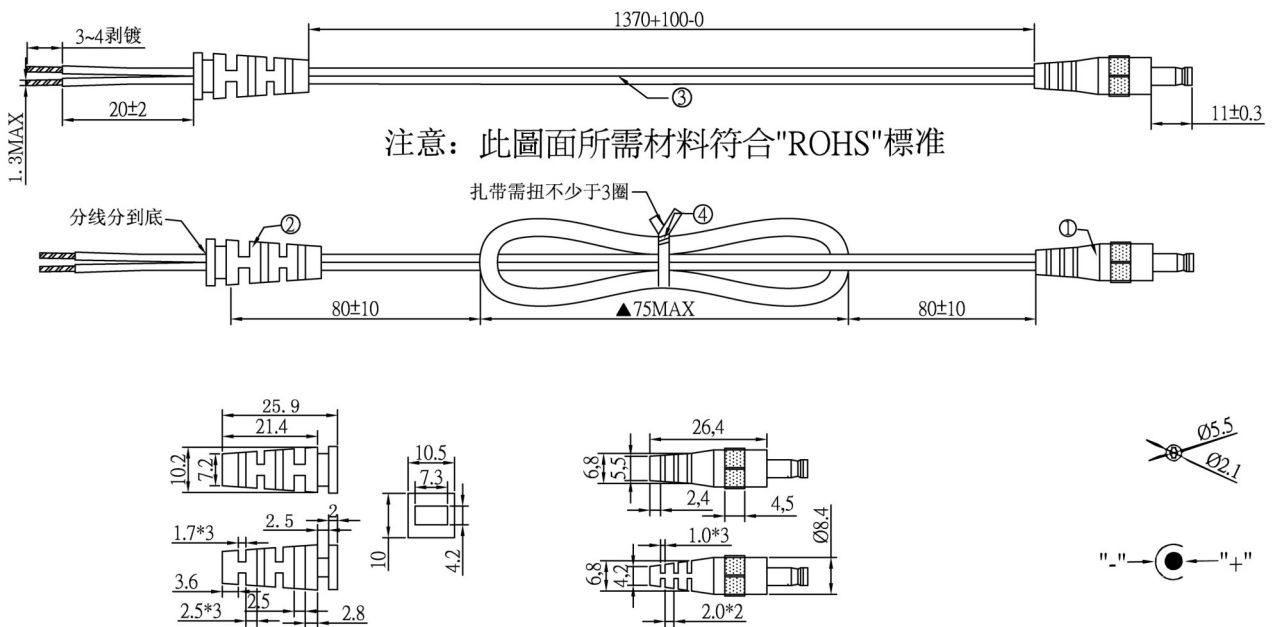
Certified plugs Wxx = W2E - Europe | W3U - England | W2 - USA, Canada, Japan, Taiwan | W2A - Australia
 Output connector: standard: 2.1 x 5.5 x 11mm or customer requirement | Regulated Output With Low Ripple Noise | Safety Agency Requirements and EMI/EMS Certified
 Private Label Marking Available | Modified and Custom Design Available | 2 Years Warranty

INPUT OUTPUT	Voltage	90-264VAC
	Current	0.5A max At 100VAC & 240VAC@full load
	Inrush Current	40/60A max At cold start, ambient temperature 25°C nominal AC input 100VAC/240VAC
	Power consumption	0.1W max. with output no load at 115VAC/230VAC input
	Efficiency	Meet ERP level VI
	Hold up time	8mS min At AC nomind input @ output full load
	Turn delay	5000mS max. At AC low line input @ output full load.
	Ripple noise	200mV
	Burn-in	220VAC 80% Load (Ref) 4hours & 40°C +/- 5
PROTECTION	Over current Short protection	Automatic recovery
	Over Voltage	The power supply shall be self-recovering when the fault condition is removed
	Input protection	The switching adaptor use 3.15A fuse
	Protection class	Class II
SAFETY	CE EMC	2014/30/EU
	CE LVD	2014/35/EU EN 62368-1:2014+A11:2017
	Safety approvals	ETL/cETL TUV/GS FCC CE CB SAA PSE LVD UKCA
	Dielectric Strength (Hi-pot)	AC3000V,5.0mA,1 minute for type test
	Leakage current	0.25 mA max.
ENVIRONMENTAL	Temperature	Operating: 0~40°C / Storage: -25~50°C
	Humidity	Operating: 20%~80%RH / Storage:5%~95% RH
	Cooling	The power supply will operate with convection cooling. Blocking of vents must not cause damage to the power supply.
OTHER	MTBF	MTBF shall be least 50,000 hours at 25°C (MIL-HDBK-217F)
	Weight	95±3.5 g
	Dimension	70x40x33 mm
	Packing	100 pcs 1 box

Mechanical case specification:



Cable specification:



Country of Origin :	China
Operating Temperature :	0~40 [°C]
Dimension :	80 × 39× 27 [mm]
Efficiency level (ErP) :	VI

Approvals / Marks :



Specifications

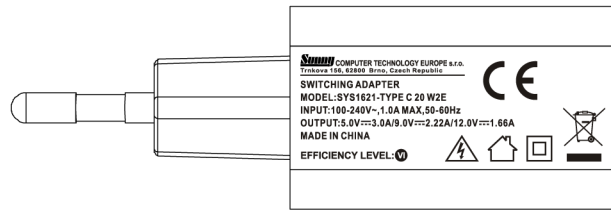
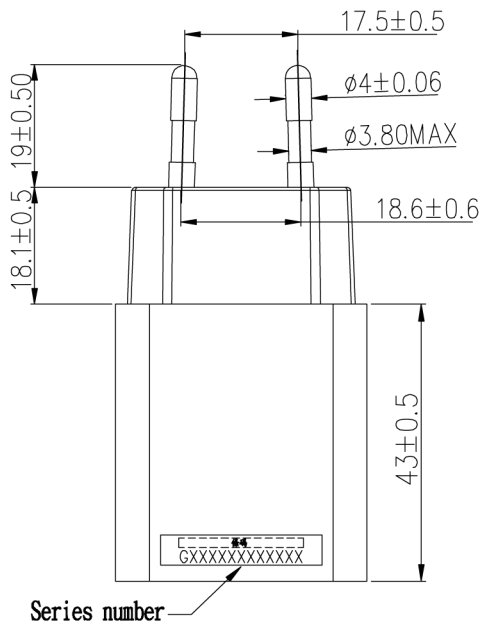
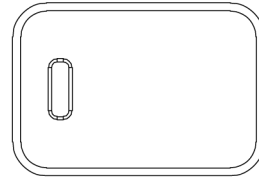
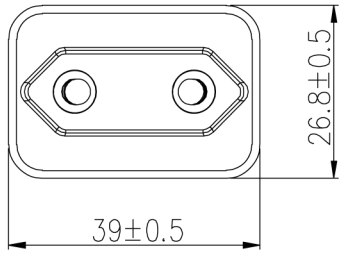
Model	Voltage DC/Loading [V/A]	Max. Power [W]	Ripple / Noise [mV] p-p	Connector
SYS1621-Type C 20	5V/3A, 9V/2.22A, 12V/1.66A	20	300	USB-C

Features:


PSU housing ready for use in country : Wxx = W2E - Europe
 Output connector: Regulated Output With Low Ripple Noise | Safety Agency Requirements and EMI/EMS Certified
 Private Label Marking Available | Modified and Custom Design Available | 2 Years Warranty | Power delivery

OUTPUT		CE	
Turn delay	3000 ms max @ AC low line input@output full load	EMC	2014/30/EU
Hold up time	10ms min@AC nominal input@output full load (>half cycle)	LVD	2014/35/EU EN 62368-1:2014+A11:2017
Efficiency (Normal)	Meet CEC,DOE,ERP,MEPS Level VI@115v/60HZ,230V/50HZ	SAFETY	
Transient response (dv,tmax)	0.4v dv max At AC nominal input loading from 50% load to Dynamic rise time 10uS max , duty 40mS max , Dynamic load step is slew rate of 0.5A/uS	CE	
Power out.Limit	20W	OTHERS	
Burn in limit	Full load 2 Hours	Dielectric Strength(Hi-pot)	Primary to Secondary:4000VAC 10mA/60S
Power consumption	0.1W	M.T.B.F	500,000 Calculated Hours at 25°C, by Telcordia SR-332
Output regulation	Auto-detect the charging voltage and current for Type C and iOS devices. Meet PD3.0,QC 3.0 requirements rules	DC output	Type C
INPUT		PLD (power line disturbance)	Line power surge Line voltage SAG-more info on request
Voltage	(90~264)VAC	Cooling method	Natural Convection Cooling
Frequency	(47~63)hz	Housing material	PC
Current	1.5A rms @ AC low line input and DC output full load	Temperature coefficient:	<±0.5%/°C
Inrush Surge Current (cold start)	40/60A max@power supply cold start,ambient temperature 25°C @115Vac/230Vac nominal AC input	ENVIRONMENT	
leakage current	0.25mA Max	Temperature	Operating: 0~40°C / Storage: -20~85°C
PROTECTION		Humidity	Operating: 8%~90%RH / Storage: 5%~95% RH non condensing
Over current/ Short protection	The car charger shall be protected from damage of accidentally when the I/P voltage is between AC normal. The O/P short protection could be protected forever, input power do	WEIGHT	
Over Voltage	The power supply will be auto recovered when faults remove	NW: 51g/pc	
Input protection	F1 2A/250V Fuse The power supply shall be protected	GW: 9kg/box	
No Load protection	The power supply is provided with no load operation to	PACKING	
Protection class	II	PE plastic bag	150 pcs /1 box

Mechanical case specification:



Sunny COMPUTER TECHNOLOGY EUROPE s.r.o.
 Trnová 146, 12800, Brno, Czech Republic
 SWITCHING ADAPTER
 MODEL: SYS1621-TYPE C 20 W2E
 INPUT: 100-240V~, 1.0A MAX, 50-60Hz
 OUTPUT: 5.0V---3.0A/9.0V---2.22A/12.0V---1.66A
 MADE IN CHINA
 EFFICIENCY LEVEL:

Country of Origin : China
 Operating Temperature : 0~40 [°C]
 Dimension : 75 x 34 x 43 [mm]
 Efficiency level (ErP) : 



Approvals / Marks :



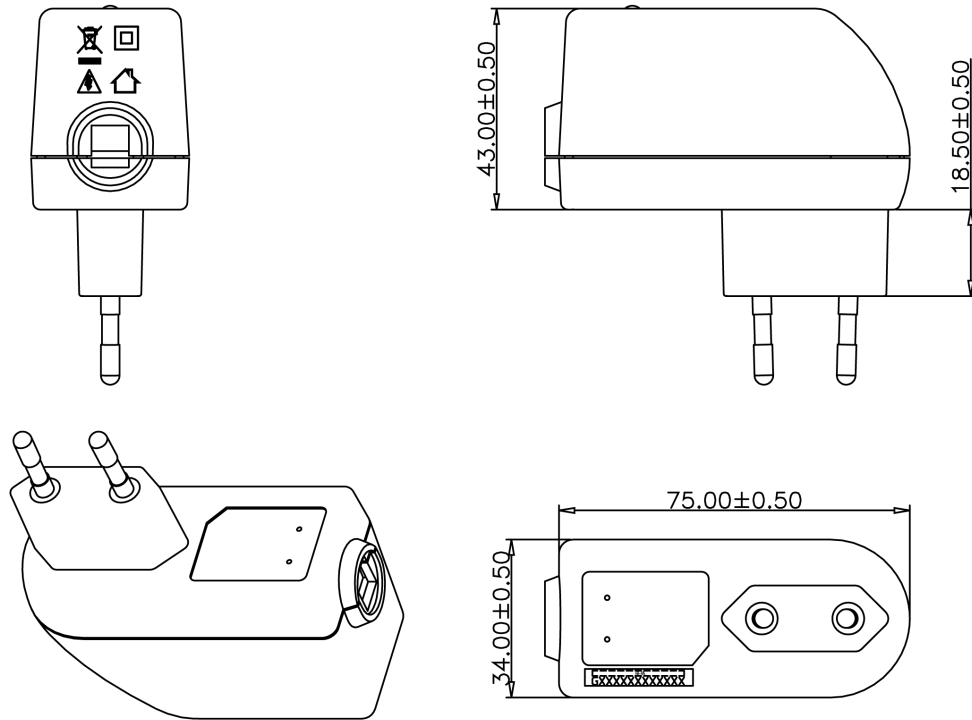
Features:

PWMIC electrical design.	For I.T.E. use only + RoHS conform.
Wide range Input (90 ~ 264) VAC / (47 ~ 63) Hz.	Over load, over voltage & short protection.
Output connector: standard: 2.1x5.5x11 or customer requirement.	
Available in versions: W2E(EU), W2(USA), W3U(UK), W2A (Australia), W2K(Korea), W2C (China).	

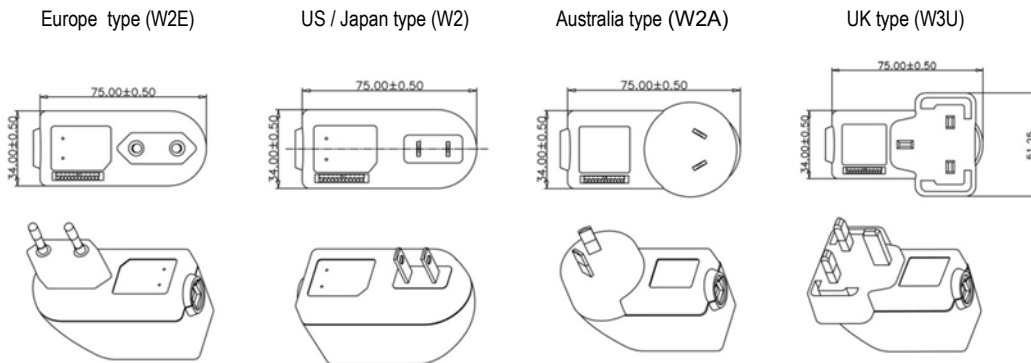
Specification:

	Model	Voltage DC [V]	Loading [A]	Tol. [%]	OCP [A]	OVP max [V]	Efficiency [%]	Max. Power [W]	Ripple & Noise [mV] p-p	Connector UL Approved [mm]
ErP V.	SYS1308-1808-Wxx	7.5	0~2.40	±5	3.0~5.5	16	>77.6	18	100	2.1x5.5x11
	SYS1308-1809-Wxx	9	0~2.00	±5	2.5~4.5	16	>77.6	18	100	2.1x5.5x11
	SYS1308-2412-Wxx	12	0~2.00	±5	3.5~5.5	16	>82	24	120	2.1x5.5x11
	SYS1308-2415-Wxx	15	0~1.60	±5	2.0~4.0	25	>82	24	150	2.1x5.5x11
	SYS1308-2418-Wxx	18	0~1.33	±5	2.0~4.0	25	>82	24	180	2.1x5.5x11
	SYS1308-2424-Wxx	24	0~1.00	±5	1.5~4.5	28	>82	24	240	2.1x5.5x11
ErP V. / CE only	SYS1308-2448-Wxx	48	0~0.50	±5	0.6~2.2	90	>82.1	24	480	2.1x5.5x11
Wxx	Possible to order with Wxx = W2E - Europe W2 - USA,Canada,Japan W3U - UK W2A - Australia W2K - Korea W2C - China									
OEM Production	This model is certified for Uout=(3,5,6,7,5,9,12,15,18,24,48)V and Pout=in steps(9,15,18,24)W									
INPUT	Voltage	(90 ~ 264)VAC								
	Frequency	(47 ~ 63)Hz								
	Current	1A rms@ AC low line input and DC output full load								
	Inrush Surge Current (cold start)	40/60Amax. @ power supply cold start, ambient temperature 25°C @115Vac/230Vac nominal AC input.								
	Leakage current	<0.25 mA @ 240VAC input								
PROTECTION	Over load	OCP	Fold back							
	Over Voltage	OVP	Voltage limiting							
	Short Circuit	Yes, Output to Ground, Auto recovery when fault has been removed. Short Current & Over Current can not exceed 8A max. after 1minute at nominal line input.								
	Protection class	II.								
	No Load Operation	Yes, to protect the power supply and system from damage								
OTHERS	Dielectric Strength	HI-POT B / I/P-O/P (FG): 3KVAC / 10mA / 1 minute								
	Set up time	3000 ms max. @ AC low line Input & Output full load								
	Hold-up Time	10ms @ AC nominal Input and Output full load								
	MTBF Qualification	500,000 Calculated Hours at 25°C, by Telcordia SR-332								
	DC cable & connector	Standard length of the cable 1,8m & It depends on customer requirements and upon specifications								
	Efficiency (Normal)	>77.6% min. @ 240VAC input & Full load								
	Efficiency level	V								
	Power Consumption	Max. 0.3W @ AC nominal Input and Output min. load – ERP IV. / ERP V has <0.3W								
	Input Fuse	1A protected against power line surges and any abnormal conditions								
ENVIRONMENT	Temperature	Operating: (0 ~ 40)°C / Storage: (-20 ~ 85)°C								
	Humidity	Operating: (8 ~ 90)% RH / Storage: (5 ~ 95)% RH non condensing								
SAFETY CE GS CB cULus FCC CCC KC SAA RCM										
CE	EMC	2014/30/EU								
	LVD	2014/35/EU EN 60950-1:2006+A11+A1+A12+A2								
WEIGHT	1pc	N.W.: 150g / pc								
		0.48 x 0.26 x 0.44 [m]								
PACKING	Box	80pcs / 1box								
		G.W.: 16.8kg / box								

Mechanical case specification:

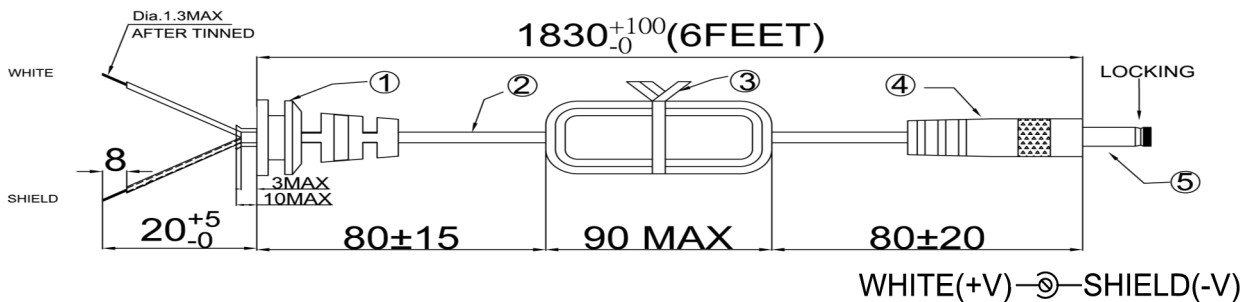


Mechanical specification (country housing):



Cable specification:

1185#20*1C + shield / 6FT (1830mm)



Country of Origin : China
 Operating Temperature : 0~40 [°C]
 Dimension : 75 x 34 x 43 [mm]
 Efficiency level (ErP) : VI



Approvals / Marks :



Specifications

Model	Voltage DC [V]	Loading [A]	Max. Power [W]	Ripple / Noise [mV] p-p	Connector [mm]
SYS1308N-1505-Wxx	5 (setup 5.1)	0~3.00	15	150	2.1x5.5x11
SYS1308N-1505-Wxx	5 (setup 5.1)	0~3.00	15	200	micro USB
SYS1308N-1807-Wxx	7.5	0~2.40	18	180	2.1x5.5x11
SYS1308N-1809-Wxx	9	0~2.00	18	180	2.1x5.5x11
SYS1308N-2412-Wxx	12	0~2.00	24	200	2.1x5.5x11
SYS1308N-2415-Wxx	15	0~1.60	24	200	2.1x5.5x11
SYS1308N-2418-Wxx	18	0~1.33	24	240	2.1x5.5x11
SYS1308N-2424-Wxx	24	0~1.00	24	240	2.1x5.5x11
SYS1308N-2448-Wxx (CE only)	48	0~0.50	24	480	2.1x5.5x11

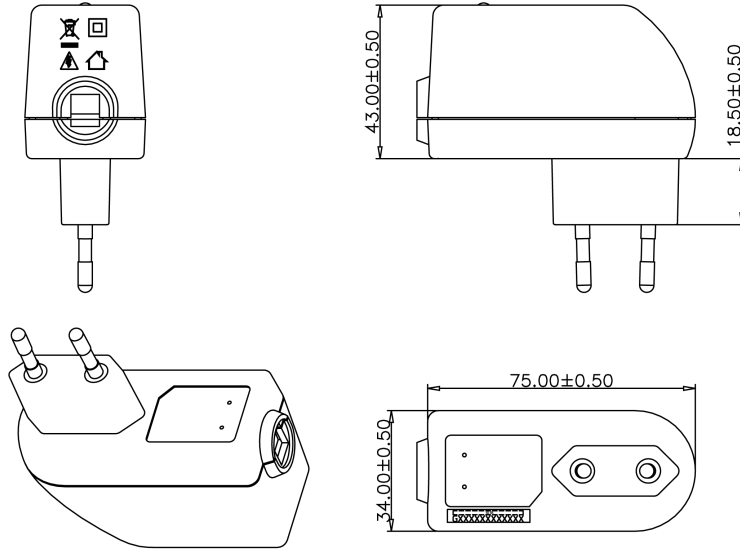
Features:

Certified plugs Wxx = W2E - Europe | W3U - England | W2 - USA, Canada, Japan, Taiwan | W2A - Australia | W2K - Korea | W2C - China

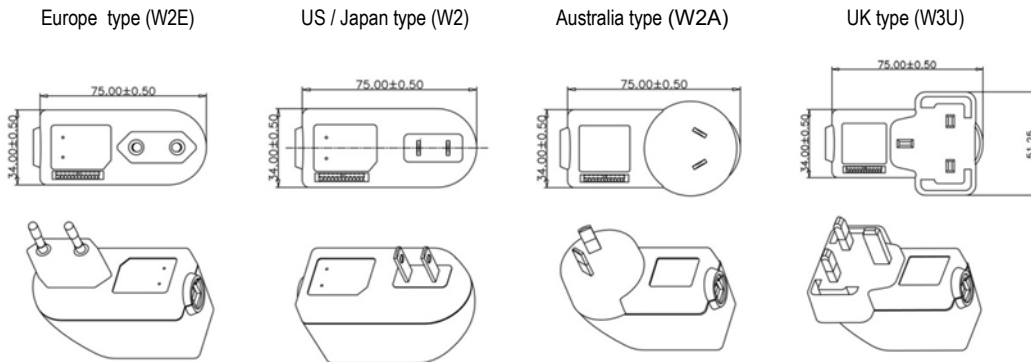
Output connector: standard: 2.1 x 5.5 x 11mm or customer requirement | Regulated Output With Low Ripple Noise | Safety Agency Requirements and EM/EMS Certified
 Private Label Marking Available | Modified and Custom Design Available | 2 Years Warranty

OUTPUT		CE	
Turn delay	3000ms max 3S max on the condition that input volotage 230V, full load.	EMC	2014/30/EU
Hold up time	5ms min@AC nominal input@output full load	LVD	2014/35/EU EN 62368-1:2014+A11:2017
Efficiency	>81.39% min. Eff= 0.071 x ln(Po/1W) - 0.0014 x Po/1W + 0.67 Directive EU 2019/1782	SAFETY	
Transient response (dv,tmax)	0.6V dv max At AC nominal input loading from 20%load to 80% load 10ms tmax Dynamic rise time 10 us max,duty 40ms max.Dynamic load step is slow rate of 0.5A/us	CE CB TUV/GS UKCA	
Burn in limit	Ambient temp: 35C+-3%; 80% load; input voltage 230V; 2 hours.	OTHERS	
Power consumption	0.1W max. At AC nominal input@output min load	Dielectric Strength	HI-POT B / IEC 320 2pin primary to secondary 4000Vdc 10mA
INPUT		M.T.B.F	500,000 Calculated Hours at 25°C, by Telcordia SR -332
Voltage	(90~264)VAC	Cable Length	1830mm (6 feet) standard cable or as required
Frequency	(47 ~ 63)Hz	PLD (power line disturbance)	Line power surge Line voltage SAG-more info on request
Current	1A rms@AC low line input and DC output full load	Cooling method	Natural Convection Cooling
Inrush Surge Current (cold start)	60A max@power supply cold start, ambient temperature 25°C @100Vac/240Vac nominal AC input	Housing material	PC
leakage current	<0.25 mA @ 240VAC input	Temperature coefficient:	<±0.5%/°C
PROTECTION		ENVIRONMENT	
Over current/ Short protection	The power supply will self-protect any output to ground, And auto recovery when abnormal circuit faults remove. An output short circuit is defined as any output impedance of less than 0.1 ohms.	Temperature	Operating: 0~40°C / Storage: -20%~85%RH non condensing
Over Voltage	The power supply will not be auto recovered when faults remove 110%-150%. (Voltage limit)	Humidity	Operating: 8%~90%RH / Storage: 5%~95% RH non condensing
Input protection	2A /250V Fuse. The power supply shall be protected against power line surges and any abnormal condition	WEIGHT	
No Load protection	The power supply is provided with no load operation to prevent the power supply and system from damage.	NW: 116-133g/pc based on the model	
Protection class	II	Box cca 12kg based on the model	
		PACKING	
		Box	80 pcs/1 box

Mechanical case specification:



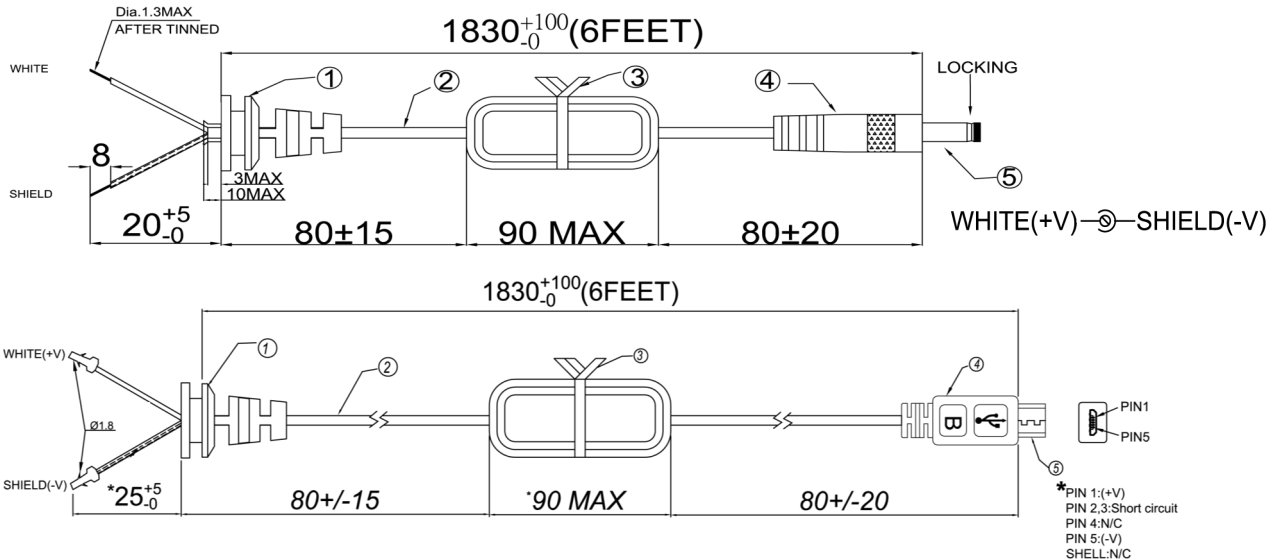
Mechanical specification (country housing):



Cable specification:

1185#20*1C + shield / 6FT (1830mm)

Micro USB : 1185#18*1C + shield / 6FT (1830mm)





GREEN MODE

RoHS

Country of Origin : China
 Operating Temperature : 0~40 [°C]
 Dimension : 93.5 x 46 x 35.8 [mm]
 Certified AC Plugs: EU, UK, USA/Japan, Aus, Korea, Brazil, Argentina, China, India, S. Africa
 Efficiency level (ErP) : VI



Approvals / Marks :



Specifications

Model	Voltage DC [V]	Loading [A]	Max. Power [W]	Ripple / Noise [mV] p-p	Connector [mm]
SYS1541-1505-Wxx*	5 (setup 5.1)	0~3.0	15	200	2.1x5.5x11
SYS1541-1505-Wxx*	5 (setup 5.1)	0~3.0	15	200	USB-C
SYS1541-1809-Wxx*	9	0~2.0	18	200	2.1x5.5x11
SYS1541-2412-Wxx*	12	0~2.0	24	200	2.1x5.5x11
SYS1541-2415-Wxx*	15	0~1.6	24	200	2.1x5.5x11
SYS1541-2418-Wxx*	18	0~1.33	24	240	2.1x5.5x11
SYS1541-2424-Wxx*	24	0~1.0	24	240	2.1x5.5x11

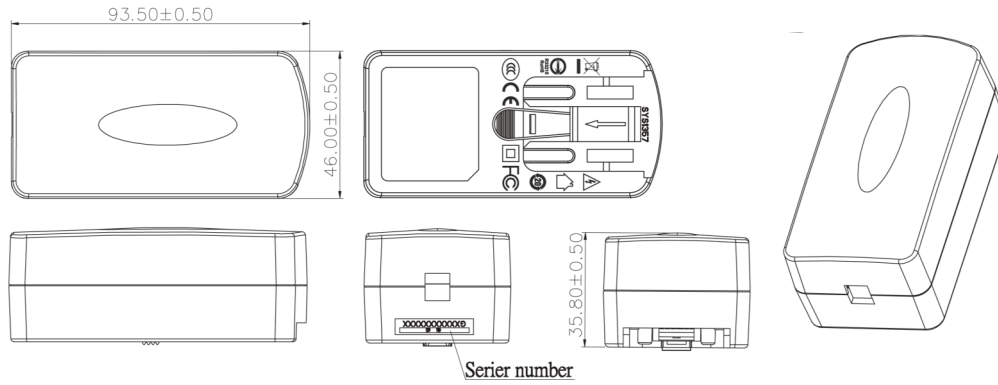
Features:

Certified plugs
 Wxx = W2E - Europe | W3U - England | W2 - USA, Canada, Japan, Taiwan | W2A - Australia | W2B - Brazil | W2G - Argentina | W2C - China | W2K - Korea | W2I - India | W3S - South Africa, India
 Output connector: standard: 2.1 x 5.5 x 11mm or customer requirement | Regulated Output With Low Ripple Noise | Safety Agency Requirements and EM/EMS Certified
 Private Label Marking Available | Modified and Custom Design Available | 2 Years Warranty

OUTPUT	
Turn delay	3000 ms max@AC low line input@output full load
Hold up time	5ms min@AC nominal input@output full load (>half cycle)
Efficiency (Normal)	Meet CEC,DOE,ERP,MEPS Level VI @115v/60HZ,230V/50HZ
Transient response (dv,tmax)	0.6V dv max At AC nominal input loading from 20%load to 80%load
	Dynamic rise time 10us max,duty 40ms max,Dynamic load
Power out.Limit	Peak 28w
Burn in limit	Full load 2 Hours
Power consumption	Less than 0.075W ms max. At AC nominal input@output min
INPUT	
Voltage	(90~264)VAC
Frequency	(47~63)hz
Current	0.5A rms@AC low line input and DC output full load
Inrush Surge Current	40/60A max@power supply cold start,ambient temperature
leakage current	0.25mA Max
PROTECTION	
Over current/ Short protection	The power supply will self-protect any output to ground. And auto recovery when abnormal circuit faults remove .An output short circuit is defined as any output impedance of less than 0.1 ohms.
Over Voltage	The power supply will be auto recovered when faults remove
Input protection	F1:1A 250V Fuse The power supply shall be protected
No Load protection	The power supply is provided with no load operation to
Protection class	II, (ITU-T K.21 Surge 6KV on request)

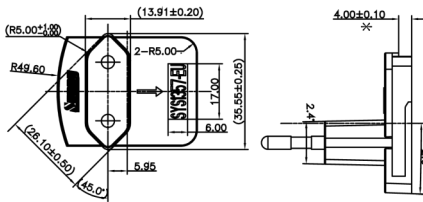
CE	
EMC	2014/30/EU
LVD	2014/35/EU EN 62368-1:2014+A11:2017
SAFETY	
CB CE GS FCC cULus CCC BSMI PSE KCC(1505,2412,2415,2424) SAA RCM PSB(1505,2412,2424) NOM(2412) UKCA EAC INMETRO BIS(2412,2424) S-MARK UkrSEPRO LoA SII(1505)	
OTHERS	
Dielectric Strength	Primary to Secondary:3000VAC 10mA/60S
M.T.B.F	500,000 Calculated Hours at 25°C, by Telcordia SR-332
Cable Length	1500mm (5 feet) standard cable or as required
PLD (power line disturbance)	Line power surge Line voltage SAG-more info on request
Cooling method	Natural Convection Cooling
Housing material	PC
Temperature coefficient:	< ±0.5% / °C
ENVIRONMENT	
Temperature	Operating: 0~40°C / Storage: -20~85°C
Humidity	Operating: 8%~90%RH / Storage: 5%~95% RH non-con-
WEIGHT	
NW:	135g/pc
GW:	12.5kg/box
PACKING	
PE plastic bag	63 pcs/1 box

Mechanical case specification:

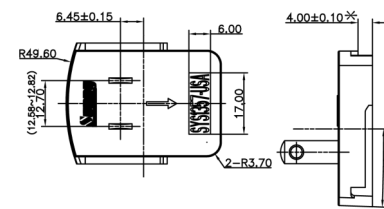


Mechanical specification (country housing):

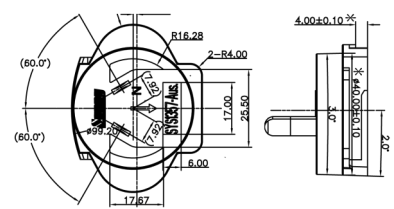
Europe type (W2E)



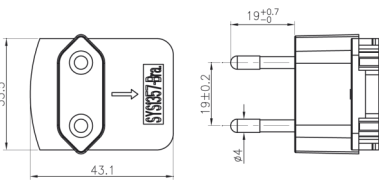
US type (W2)



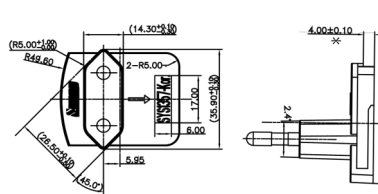
Australia type (W2A)



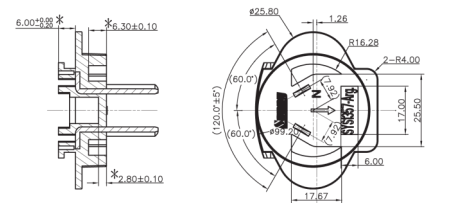
Brazil type (W2B)



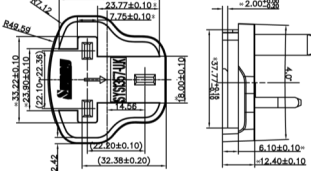
Korea type (W2K)



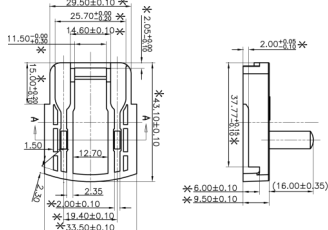
Argentina type (W2G)



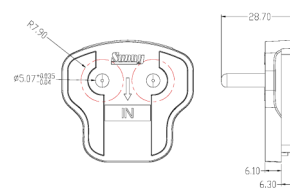
UK type (W3U)



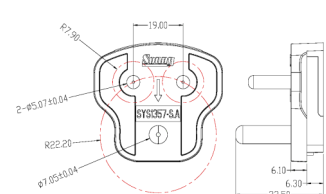
China type (W2C)



India type (W2I)

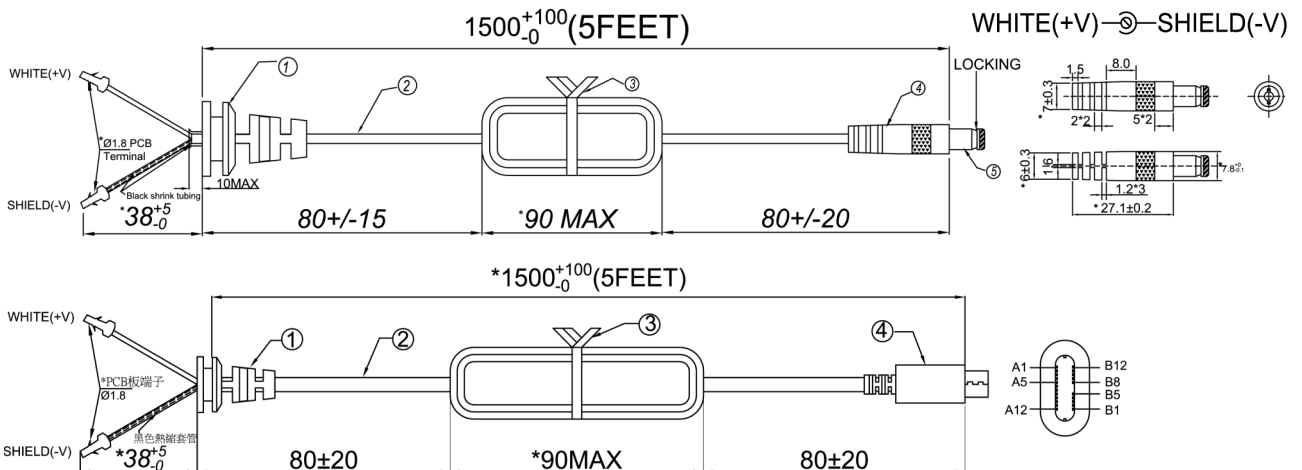


South Africa type (W3S)



Cable specification:

1185#18*1C | 1500mm



Country of Origin : China
 Operating Temperature : 0~40 [°C]
 Dimension : 75 x 34 x 43 [mm]
 Efficiency level (ErP) : VI

Approvals / Marks :



Specifications

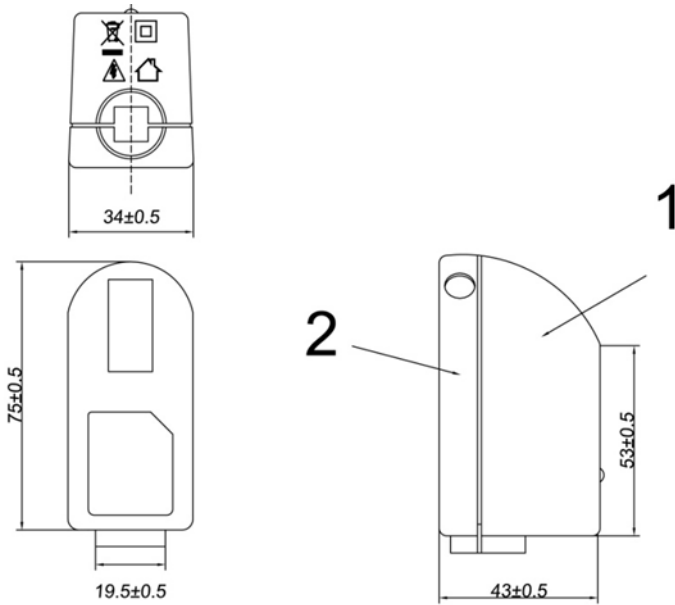
Model	Voltage DC [V]	Loading [A]	Max. Power [W]	Ripple / Noise [mV] p-p	Connector [mm]
SYS1308N-2412-special	12	0~2.00	24	200	2.1x5.5x11

Features:

Output connector: standard: 2.1 x 5.5 x 11mm or customer requirement | Regulated Output With Low Ripple Noise | Safety Agency Requirements and EMI/EMS Certified
 Private Label Marking Available | Modified and Custom Design Available | 2 Years Warranty

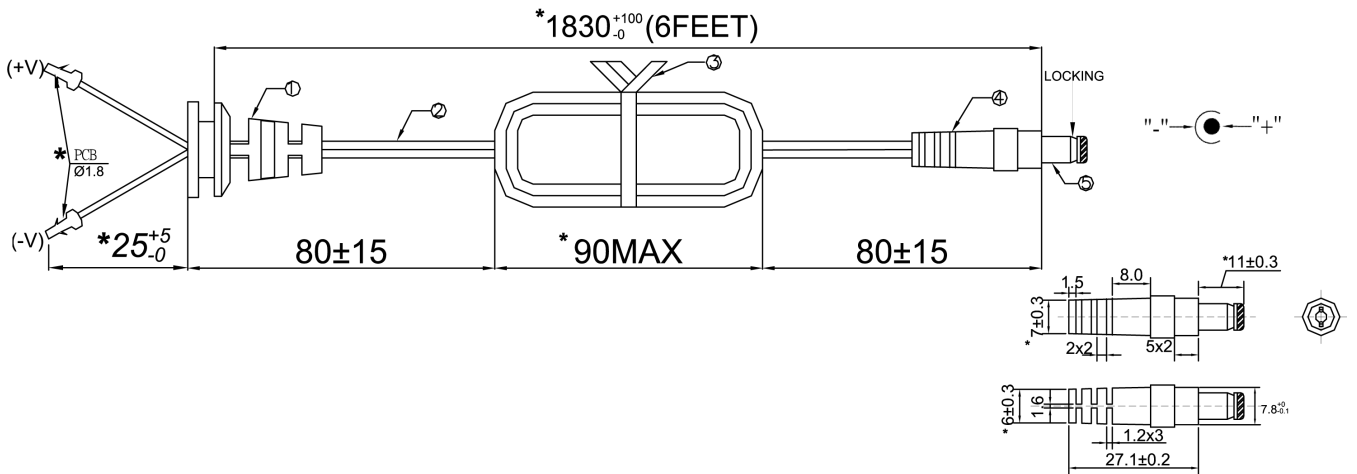
OUTPUT		CE	
Turn delay	3000ms max 3S max on the condition that input volotage 230V, full load.	EMC	2014/30/EU
Hold up time	5ms min@AC nominal input@output full load	LVD	2014/35/EU EN 62368-1:2014+A11:2017
Efficiency	>86.2% min. Eff= 0.071 x ln(Po/1W) - 0.0014 x Po/1W + 0.67 Directive EU 2019/1782	SAFETY	
Transient response (dv,tmax)	0.6V dv max At AC nominal input loading from 20%load to 80% 10ms tmax Dynamic rise time 10 us max,duty 40ms max,Dynamic load step is slew rate of 0.5A/us	CE	
Burn in limit	Ambient temp: 35C+-3%; 80% load; input voltage 230V; 2 hours.	OTHERS	
Power consumption	0.1W max. At AC nominal input@output min load	Dielectric Strength (Hi-pot)	HI-POT B / IEC 320 2pin primary to secondary 4000Vdc 10mA 1min
INPUT		M.T.B.F	500,000 Calculated Hours at 25°C, by Telcordia SR -332
Voltage	(90~264)VAC	Cable Length	1830mm (6 feet) standard cable or as required
Frequency	(47 ~ 63)Hz	PLD (power line disturbance)	Line power surge Line voltage SAG-more info on request
Current	1A rms@AC low line input and DC output full load	Cooling method	Natural Convection Cooling
Inrush Surge Current (cold start)	60A max@power supply cold start, ambient temperature 25°C @100Vac/240Vac nominal AC input	Housing material	PC
leakage current	<0.25 mA @ 240VAC input	Temperature coefficient:	<±0.5%/°C
PROTECTION		ENVIRONMENT	
Over current/ Short protection	The power supply will self-protect any output to ground, And auto recovery when abnormal circuit faults remove. An output short	Temperature	Operating: 0~40°C / Storage: -20~-85%RH non condensing
Over Voltage	The power supply will not be auto recovered when faults remove	Humidity	Operating: 8%~90%RH / Storage: 5%~95% RH non condensing
Input protection	2A/250V Fuse. F2 connected from MOV(Varistor) to remaining PS circuitry to protect PS from excessive current draw.	WEIGHT	
No Load protection	The power supply is provided with no load operation to prevent	NW: 105g/pc + plug	
Protection class	II	GW: 122g/pc + plug	
		PACKING	
		Box	80 pcs/1 box

Mechanical case specification:

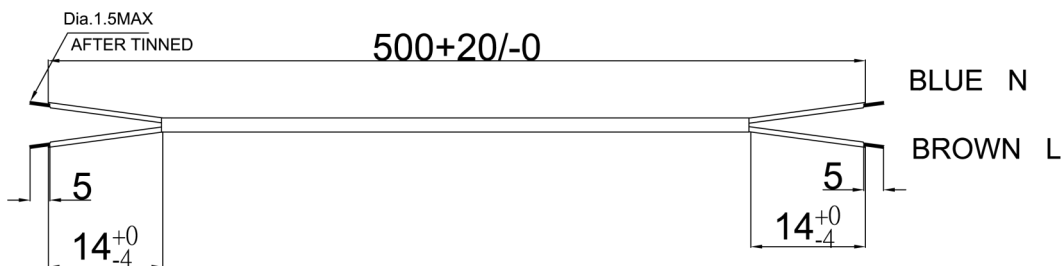


Cable specification:

A) DC-output: STP-1#18AWG*2C (2.1*5.5*11)



B) AC-input :



Country of Origin : China
 Operating Temperature : 0~40 [°C]
 Dimension : 75 x 34 x 89 [mm]
 Efficiency level (ErP) : VI



Approvals / Marks :



Specifications

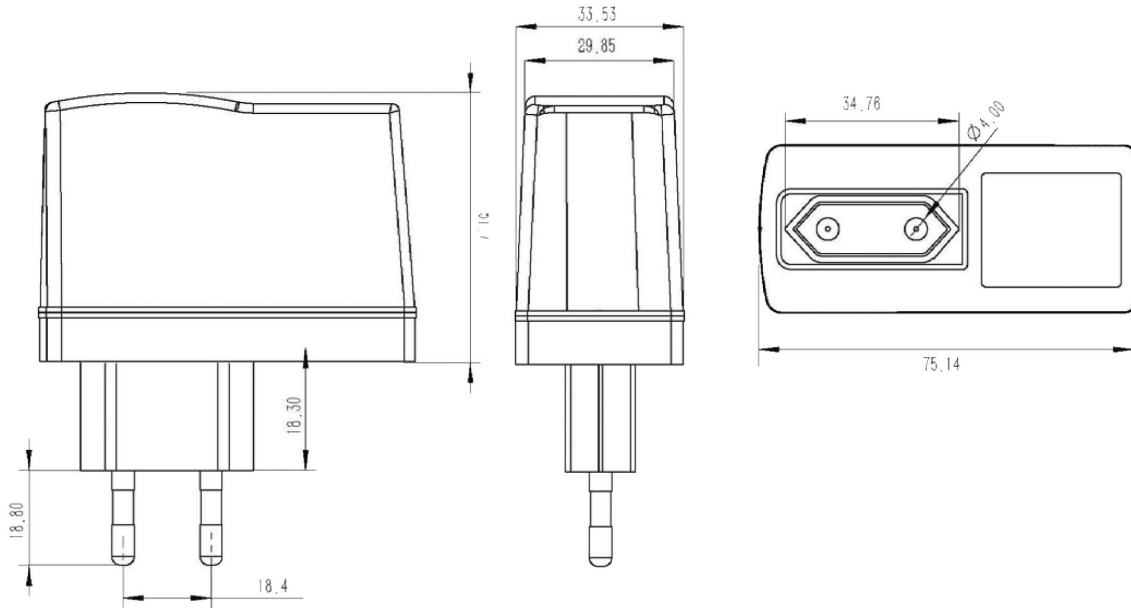
Model	Voltage DC [V]	Loading [A]	Max. Power [W]	Ripple / Noise [mV] p-p	Connector [mm]
SYS1588-2005-W2E	5.1	0~4	20.4	120	2.1x5.5x11
SYS1588-2005-W2E	5.1	0~4	20.4	120	USB-C
SYS1588-2406-W2E	6	0~4	24	120	2.1x5.5x11
SYS1588-3009-W2E	9	0~3.33	30	120	2.1x5.5x11
SYS1588-3012-W2E	12	0~2.5	30	200	2.1x5.5x11
SYS1588-3015-W2E	15	0~2.0	30	200	2.1x5.5x11
SYS1588-3018-W2E	18	0~1.66	30	240	2.1x5.5x11
SYS1588-3024-W2E	24	0~1.25	30	240	2.1x5.5x11
SYS1588-3048-W2E	48	0~0.63	30	400	2.1x5.5x11

Features:

Output connector: standard: 2.1 x 5.5 x 11mm or customer requirement | Regulated Output With Low Ripple Noise | Safety Agency Requirements and EMI/EMS Certified
 Private Label Marking Available | Modified and Custom Design Available | 2 Years Warranty

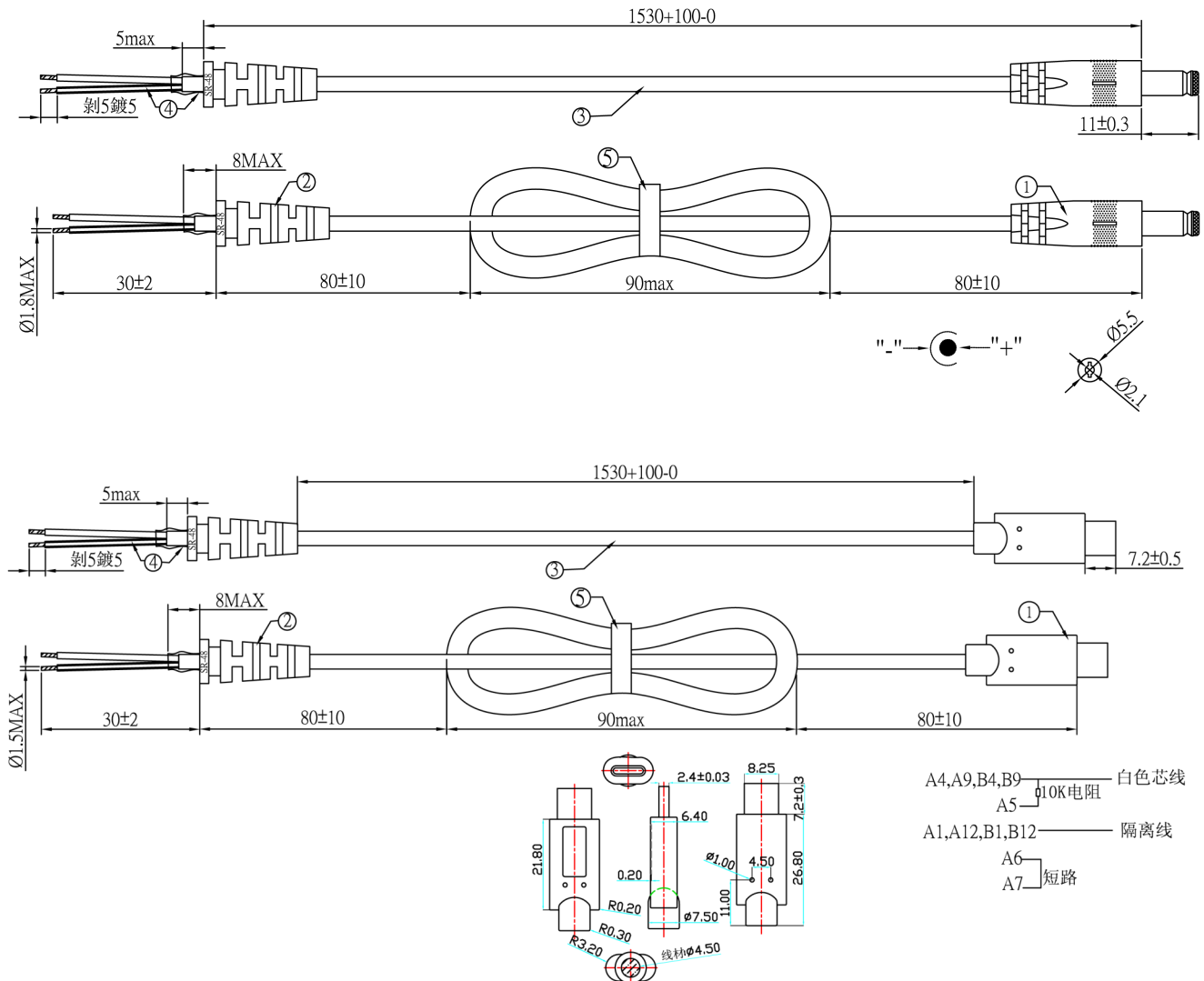
OUTPUT		CE	
Turn delay	5000 ms max@AC low line input@output full load	EMC	2014/30/EU
Hold up time	8ms min@AC nominal input@output full load	LVD	2014/35/EU EN 62368-1:2014+A11:2017
Efficiency (Normal)	>85%@115v/60HZ,230V/50HZ input & Full load	SAFETY	
Transient response (dv,tmax)	0.4V dv max At AC nominal input loading from 20%load to 80% load	CE GS cTUVus EAC	
	16ms tmax Dynamic rise time 10 us max,duty 40ms max,Dynamic load step is slew rate of 0.5A/us	OTHERS	
Power out.Limit	30W	Dielectric Strength (Hi-pot)	I/P-O/P:3000VAC
Burn in limit	Full load 2 Hours	M.T.B.F	500,000 Calculated Hours at 25°C, by Telcordia SR-332
Power consumption	0.1W max. At AC nominal input@output min load	Cable Length	1370mm (4.5 feet) standard cable or as required
INPUT		PLD (power line disturbance)	Line power surge Line voltage SAG-more info on request
Voltage	(90~264)VAC	Cooling method	Natural Convection Cooling
Frequency	(47~63)hz	Housing material	PC + ABS
Current	1.5A rms@AC low line input and DC output full load	Temperature coefficient:	< ±0.5% / °C
Inrush Surge Current (cold start)	40/60A max@power supply cold start,ambient temperature 25°C @115Vac/230Vac nominal AC input	ENVIRONMENT	
leakage current	0.25mA Max	Temperature	Operating: 0~40°C / Storage: -20~85°C
PROTECTION		Humidity	Operating: 8%~90%RH / Storage: 5%~95% RH non condensing
Over current/ Short protection	The power supply will be auto recovered when over current or short circuit faults remove (fold back). Is defined as any output impedance of less than 0.1Ω.The power supply will be auto recovered when short circuit faults remove	WEIGHT	
Over Voltage	The power supply shall be self-recovering when the fault condition is removed.	NW:	158g/pc
Input protection	The switching adaptor use 3.15A fuse.	GW:	178g/pc
No Load protection	The power supply is provided with no load operation to prevent the power supply and system from damage.	PACKING	
Protection class	II, (ITU-T K.21 Surge 6KV on request)	Box	80 pcs/1 box

Mechanical case specification:



Cable specification:

1185#16AWG*1C|





GREEN MODE

RoHS

Country of Origin : China
 Operating Temperature : 0~40 [°C]
 Dimension : 80x 58x 39 [mm]
 Certified AC Plugs: EU, UK, USA/Japan/Taiwan, Aus, China, Korea
 Efficiency level (ErP) : VI



Approvals / Marks :



Specifications

Model	Voltage DC [V]	Loading [A]	Max. Power [W]	Ripple / Noise [mV] p-p	Connector [mm]
SYS1588-2005-Wxx*	5.1	0~4.0	20.4	120	2.1x5.5x11
SYS1588-2406-Wxx*	6	0~4.0	24	120	2.1x5.5x11
SYS1588-2709-Wxx*	9	0~3.0	27	120	2.1x5.5x11
SYS1588-3012-Wxx*	12	0~2.5	30	200	2.1x5.5x11
SYS1588-3015-Wxx*	15	0~2.0	30	200	2.1x5.5x11
SYS1588-3018-Wxx*	18	0~1.66	30	240	2.1x5.5x11
SYS1588-3024-Wxx*	24	0~1.25	30	240	2.1x5.5x11
SYS1588-3048-Wxx*	48	0~0.63	30	400	2.1x5.5x11

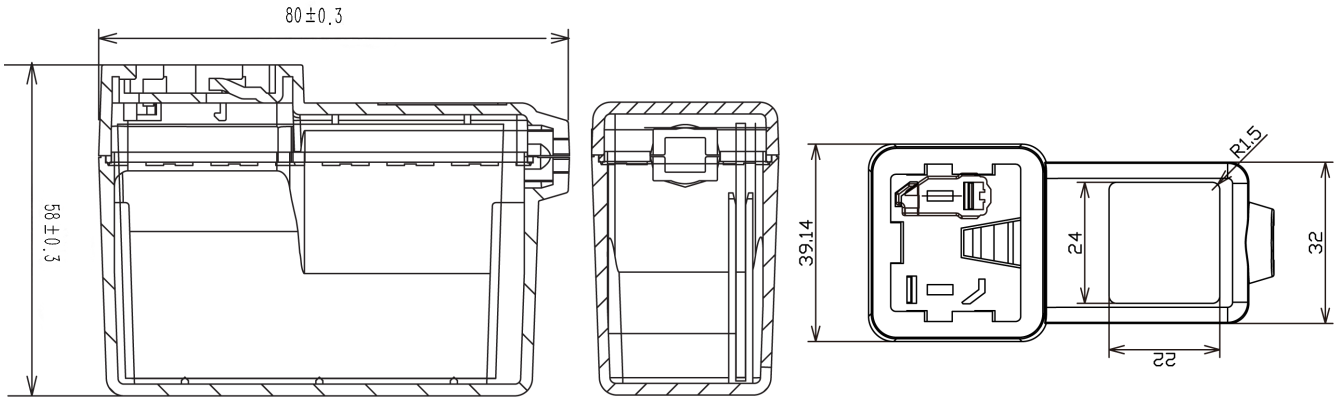
Features:

Certified plugs Wxx = W2E - Europe | W3U - England | W2 - USA, Canada, Japan, Taiwan | W2A - Australia | W2C - China | W2K - Korea
 Output connector: standard: 2.1 x 5.5 x 11mm or customer requirement | Regulated Output With Low Ripple Noise | Safety Agency Requirements and EMV/EMS Certified
 Private Label Marking Available | Modified and Custom Design Available | 2 Years Warranty

OUTPUT	
Turn delay	5000 ms max@AC low line input@output full load
Hold up time	8ms min@AC nominal input@output full load
Efficiency (Normal)	>85%@115v/60HZ,230V/50HZ input & Full load
Transient response (dv,tmax)	0.4V dv max At AC nominal input loading from 20%load to 80% load
	16ms tmax Dynamic rise time 10 us max,duty 40ms max,Dynamic load step is slew rate of 0.5A/us
Power out.Limit	30W
Burn in limit	Full load 2 Hours
Power consumption	0.1W max. At AC nominal input@output min load
INPUT	
Voltage	(90~264)VAC
Frequency	(47~63)hz
Current	1.5A rms@AC low line input and DC output full load
Inrush Surge Current (cold start)	40/60A max@power supply cold start,ambient temperature 25°C @115Vac/230Vac nominal AC input
leakage current	In 264Vac input,leakage current of input can not more than 0.25mA
PROTECTION	
Over current/ Short protection	The power supply will be auto recovered when over current or short circuit faults remove (fold back). Is defined as any output impedance of less than 0.1Ω.The power supply will be auto recovered when short circuit faults remove
Over Voltage	The power supply shall be self-recovering when the fault condition is removed.
Input protection	The switching adaptor use 3.15A fuse.
No Load protection	The power supply is provided with no load operation to prevent the power supply and system from damage.
Protection class	II, (ITU-T K.21 Surge 6KV on request)

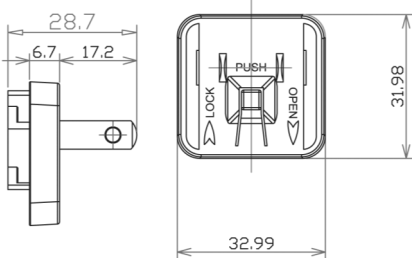
CE	
EMC	2014/30/EU
LVD	2014/35/EU EN 62368-1:2014+A11:2017
SAFETY	
cTUVus FCC GS CE CB RCM SAA PSE EAC UKCA	
OTHERS	
Dielectric Strength	I/P-O/P:3000VAC
M.T.B.F	500,000 Calculated Hours at 25°C, by Telcordia SR-332
Cable Length	1370mm (4.5 feet) standard cable or as required
PLD (power line disturbance)	Line power surge Line voltage SAG-more info on request
Cooling method	Natural Convection Cooling
Housing material	PC + ABS
Temperature coefficient:	< ±0.5% / °C
ENVIRONMENT	
Temperature	Operating: 0~40°C / Storage: -20~85°C
Humidity	Operating: 8%~90%RH / Storage: 5%~95% RH non condensing
WEIGHT	
NW: 173g/pc + plug	
GW: 193g/pc + plug	
PACKING	
Box	75 pcs/1 box

Mechanical case specification:

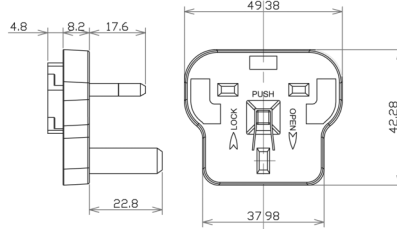


Mechanical specification (country housing):

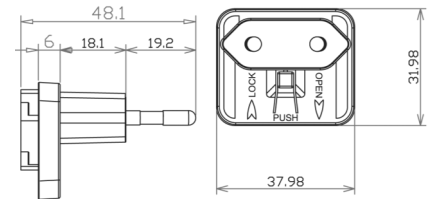
US / Japan type (W2)



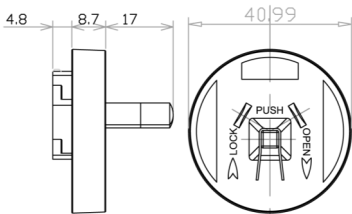
UK type (W3U)



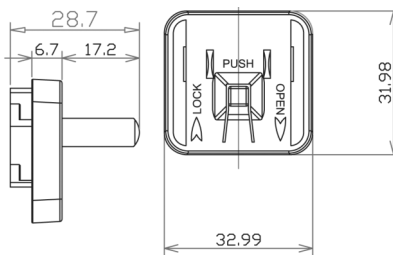
Europe type (W2E)



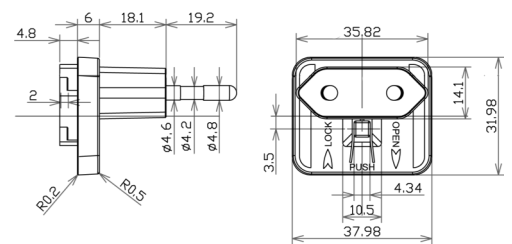
Australia type (W2A)



China type (W2C)

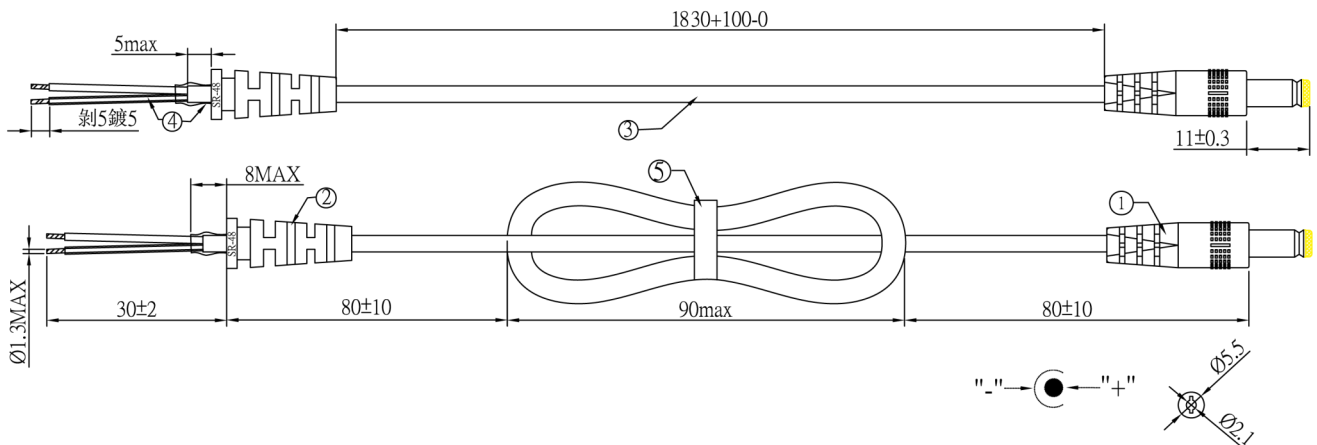


Korea type (W2K)



Cable specification:

1185#16AWG*1C/5FEET / 1185#20AWG/6FEET|1530mm -1830mm





GREEN MODE

RoHS

Country of Origin : China
 Operating Temperature : 0~40 [°C]
 Dimension : 80x 58x 39 [mm]
 Certified AC Plugs: EU, UK, USA/Japan/Taiwan, Aus, China, Korea
 Efficiency level (ErP) : VI



Approvals / Marks :



Specifications

Model	Voltage DC [V]	Loading [A]	Max. Power [W]	Ripple / Noise [mV] p-p	Connector [mm]
SYS1588-2505-Wxx*	5	0~5	25	120	2.1x5.5x11
SYS1588-3609-Wxx*	9	0~4	36	120	2.1x5.5x11
SYS1588-4012-Wxx*	12	0~3.3	40	200	2.1x5.5x11
SYS1588-4015-Wxx*	15	0~2.6	40	200	2.1x5.5x11
SYS1588-4018-Wxx*	18	0~2.2	40	240	2.1x5.5x11
SYS1588-4024-Wxx*	24	0~1.6	40	240	2.1x5.5x11
SYS1588-4048-Wxx*	48	0~0.8	40	400	2.1x5.5x11

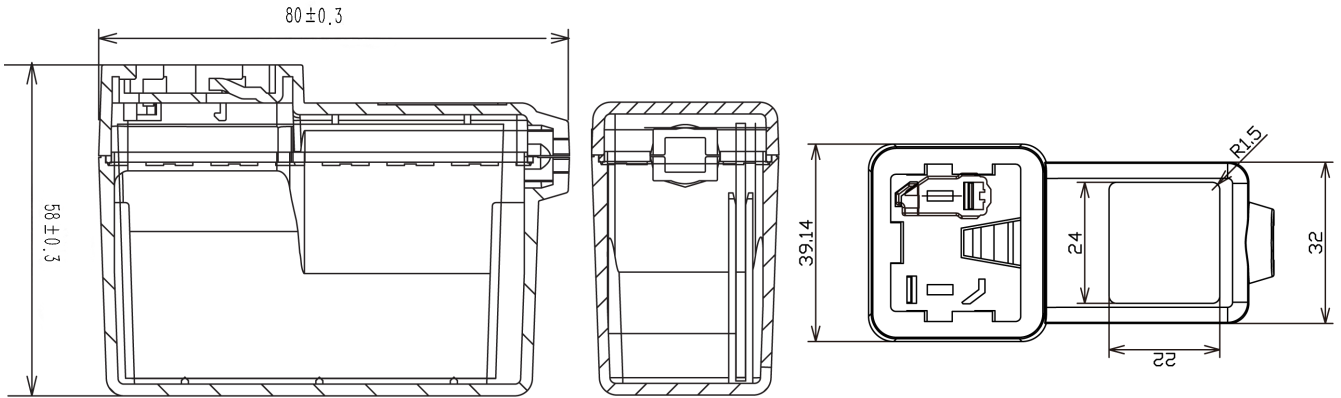
Features:

Certified plugs Wxx = W2E - Europe | W3U - England | W2 - USA, Canada, Japan,Taiwan | W2A - Australia | W2C - China | W2K - Korea
 Output connector: standard: 2.1 x 5.5 x 11mm or customer requirement | Regulated Output With Low Ripple Noise | Safety Agency Requirements and EM/EMS Certified
 Private Label Marking Available | Modified and Custom Design Available | 2 Years Warranty

OUTPUT	
Turn delay	5000 ms max@AC low line input@output full load
Hold up time	8ms min@AC nominal input@output full load
Efficiency (Normal)	>87%@115v/60HZ,230V/50HZ input &Full load
Transient response (dv,tmax)	0.4V dv max At AC nominal input loading from 20%load to 80% load 16ms tmax Dynamic rise time 10 us max,duty 40ms max,Dynamic load step is slew rate of 0.5A/us
Power out.Limit	40W
Burn in limit	Full load 2 Hours
Power consumption	0.1W max. At AC nominal input@output min load
INPUT	
Voltage	(90~264)VAC
Frequency	(47~63)hz
Current	1.5A rms@AC low line input and DC output full load
Inrush Surge Current (cold start)	40/60A max@power supply cold start,ambient temperature 25°C @115Vac/230Vac nominal AC input
leakage current	5mA maximum,At nominal AC input voltage and frequency.
PROTECTION	
Over current/ Short protection	The power supply will be auto recovered when over current or short circuit faults remove (fold back). Is defined as any output impedance of less than 0.1Ω.The power supply will be auto recovered when short circuit faults remove
Over Voltage	The power supply shall be self-recovering when the fault condition is removed.
Input protection	The switching adaptor use 2.0A fuse.
No Load protection	The power supply is provided with no load operation to prevent the power supply and system from damage.
Protection class	II, (ITU-T K.21 Surge 6KV on request)

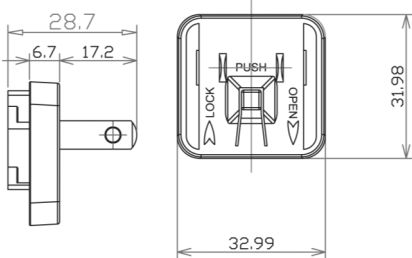
CE	
EMC	2014/30/EU
LVD	2014/35/EU EN 62368-1:2014+A11:2017
SAFETY	
cTUVus FCC GS CE CB RCM SAA PSE EAC UKCA	
OTHERS	
Dielectric Strength	I/P-O/P:3000VAC
M.T.B.F	500,000 Calculated Hours at 25°C, by Telcordia SR-332
Cable Length	1370mm (4.5 feet) standard cable or as required
PLD (power line disturbance)	Line power surge Line voltage SAG-more info on request
Cooling method	Natural Convection Cooling
Housing material	PC + ABS
Temperature coefficient:	< ±0.5% / °C
ENVIRONMENT	
Temperature	Operating: 0~40°C / Storage: -20~85°C
Humidity	Operating: 8%~90%RH / Storage: 5%~95% RH non condensing
WEIGHT	
NW: 173g/pc + plug	
GW: 193g/pc + plug	
PACKING	
Box	75 pcs/1 box

Mechanical case specification:

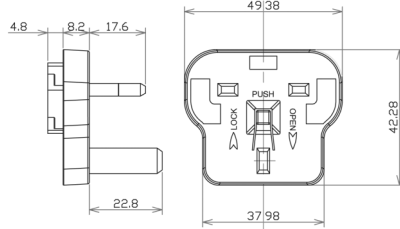


Mechanical specification (country housing):

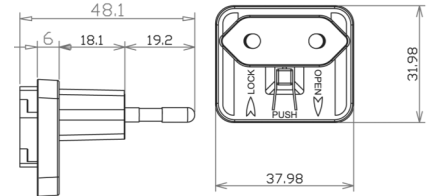
US / Japan type (W2)



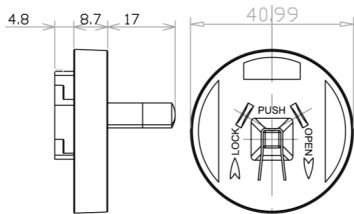
UK type (W3U)



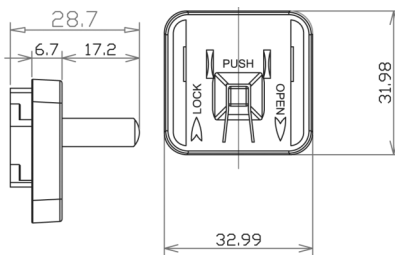
Europe type (W2E)



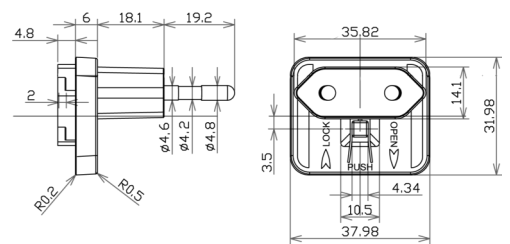
Australia type (W2A)



China type (W2C)

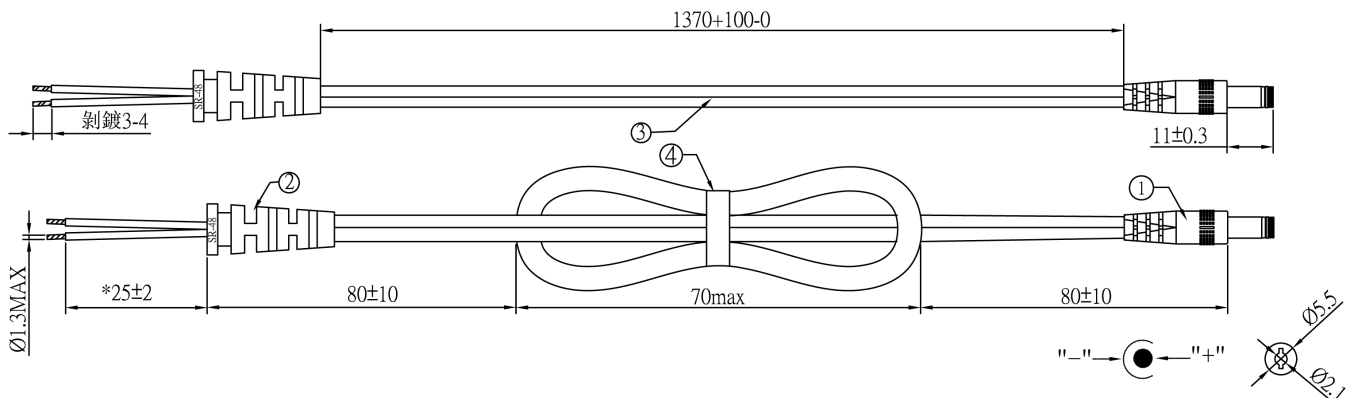


Korea type (W2K)



Cable specification:

2468#18AWG*2C



Country of Origin : China
 Operating Temperature : 0~40 [°C]
 Dimension : 58 × 58 × 28 [mm] (for 30W model)
 65 × 65 × 28[mm] (for 45&60W models)
 Efficiency level (ErP) : VI

Approvals / Marks :



Specifications

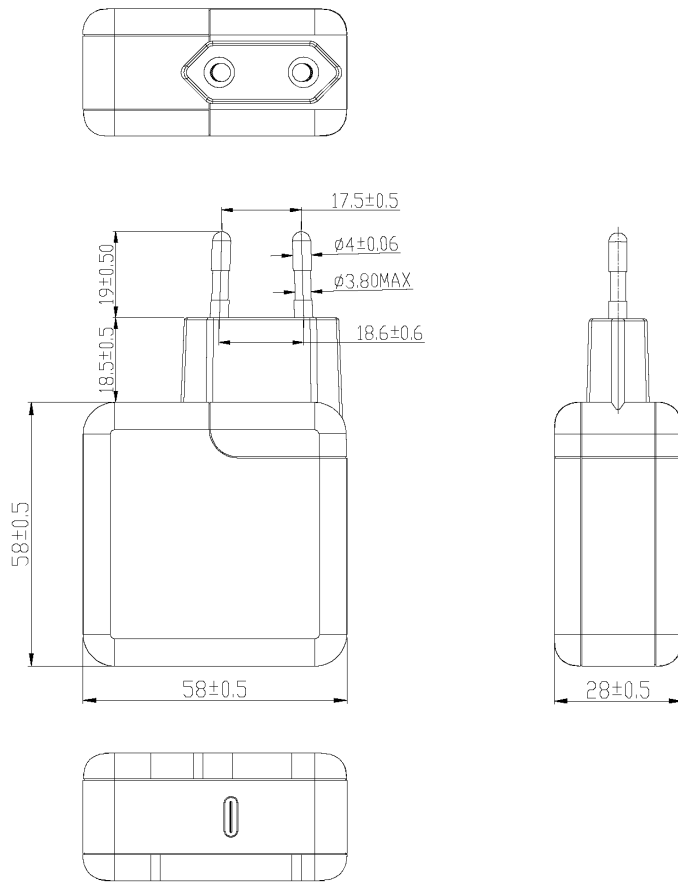
Model	Voltage DC/Loading [V/A]	Max. Power [W]	Ripple / Noise [mV] p-p	Connector
SYS1621-Type C 30	5V/3A, 9V/3A, 12V/2.5A, 15V/2A, 20V/1.5A	30	150	USB-C
SYS1621-Type C 45	5V/3A, 9V/3A, 12V/3A, 15V/3A, 20V/2.2A	45	150	USB-C
SYS1621-Type C 60	5V/3A, 9V/3A, 12V/3A, 15V/3A, 20V/3A	60	200	USB-C

Features:

PSU housing ready for use in country : Wxx = W2E - Europe
 Output connector: Regulated Output With Low Ripple Noise | Safety Agency Requirements and EMI/EMS Certified
 Private Label Marking Available | Modified and Custom Design Available | 2 Years Warranty | Power delivery

OUTPUT		CE	
Turn delay	5000 ms max @ AC low line input@output full load	EMC	2014/30/EU
Hold up time	10ms min@AC nominal input@output full load (>half cycle)	LVD	2014/35/EU EN 62368-1:2014+A11:2017
Efficiency (Normal)	Meet CEC,DOE,ERP,MEPS Level VI@115v/60HZ,230V/50HZ	SAFETY	
Transient response (dv,tmax)	0.4v dv max At AC nominal input loading from 50% load to 16ms tmax Dynamic rise time 10uS max , duty 40mS max ,	CE	
Power out.Limit	30-60W based on the model	OTHERS	
Burn in limit	Full load 2 Hours	Dielectric Strength(Hi-pot)	Primary to Secondary:3000VAC 10mA/60S
Power consumption	0.075W for Type C 30W and 45W 0.15W for Type C 60W	M.T.B.F	500,000 Calculated Hours at 25°C, by Telcordia SR-332
Output regulation	Auto-detect the charging voltage and current for Type C and iOS devices. Meet PD3.0, QC 3.0 requirements rules	DC output	Type C
INPUT		PLD (power line disturbance)	Line power surge Line voltage SAG-more info on request
Voltage	(90~264)VAC	Cooling method	Natural Convection Cooling
Frequency	(47~63)hz	Housing material	PC
Current	1.5A rms @ AC low line input and DC output full load	Temperature coefficient:	<±0.5%/°C
Inrush Surge Current	40/60A max@power supply cold start,ambient temperature	ENVIRONMENT	
leakage current	0.25mA Max	Temperature	Operating: 0~40°C / Storage: -20~85°C
PROTECTION		Humidity	Operating: 8%~90%RH / Storage: 5%~95% RH non condens-ing
Over current/ Short protection	The power supply will self-protect any output to ground & auto recovery when abnormal circuit faults remove. An output short circuit is defined as any output impedance less than 0.1	WEIGHT	
Over Voltage	The power supply will be auto recovered when faults remove	NW: 150g/pc	
Input protection	F1 2A/250V Fuse The power supply shall be protected	GW: 16kg/box	
No Load protection	The power supply is provided with no load operation to	PACKING	
Protection class	II	PE plastic bag	100 pcs /1 box

Mechanical case specification:



58 × 58 × 28 [mm] (for 30W model)

65 × 65 × 28 [mm] (for 45&60W models)

Country of Origin : China
 Operating Temperature : 0~40 [°C]
 Dimension : 58 × 58 × 28 [mm] (for 30W model)
 65 × 65 × 28[mm] (for 45&60W models)

Efficiency level (ErP) : VI

Approvals /



Specifications

Model	Voltage DC>Loading [V/A]	Max. Power [W]	Ripple / Noise [mV] p-p	Connector
SYS1621-Type C 30	5V/3A, 9V/3A, 12V/2.5A, 15V/2A, 20V/1.5A	30	300	USB-C
SYS1621-Type C 45	5V/3A, 9V/3A, 12V/3A, 15V/3A, 20V/2.2A	45	300	USB-C
SYS1621-Type C 60	5V/3A, 9V/3A, 12V/3A, 15V/3A, 20V/3A	60	300	USB-C

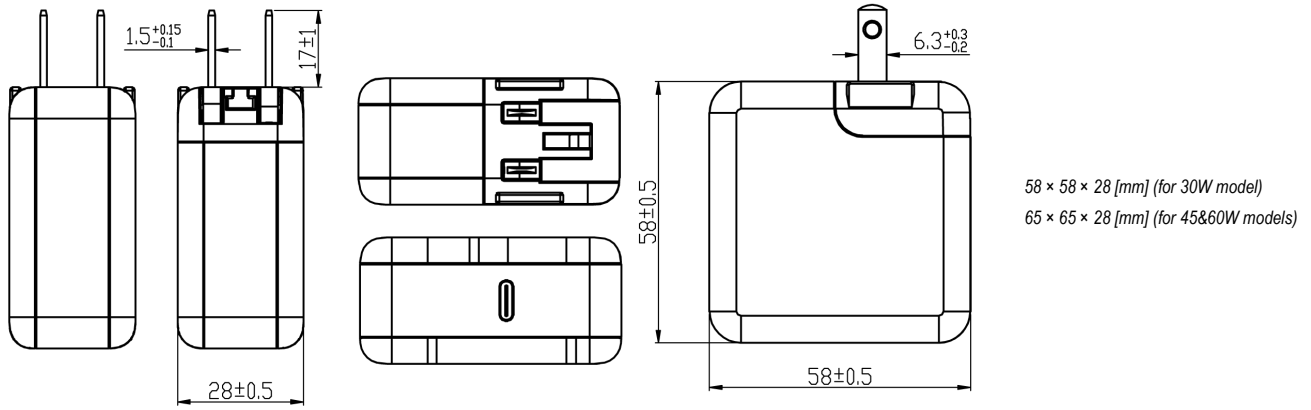
Features:

PSU housing ready for use in country : Wxx = W2E - Europe | W3U - England | W2 - USA, Canada, Japan (fixed) | W2A - Australia | W2G - Argentina | W2K - Korea
 Output connector: Regulated Output With Low Ripple Noise | Safety Agency Requirements and EMI/EMS Certified
 Private Label Marking Available | Modified and Custom Design Available | 2 Years Warranty | Power delivery

OUTPUT	
Turn delay	5000 ms max @ AC low line input@output full load
Hold up time	10ms min@AC nominal input@output full load (>half cycle)
Efficiency (Normal)	Meet CEC,DOE,ERP,MEPS Level VI@115v/60HZ,230V/50HZ
Transient response (dv,tmax)	0.4v dv max At AC nominal input loading from 50% load to max load or peak load 16ms tmax Dynamic rise time 10uS max duty 40mS max , Dynamic load step is slew rate of 0.5A/uS
Power out.Limit	30-60W based on the model
Burn in limit	Full load 2 Hours
Power consumption	0.10W for Type C 30W and 45W 0.21W for Type C 60W
Output regulation	Auto-detect the charging voltage and current for Type C and iOS devices. Meet PD3.0,QC 3.0 requirements rules
INPUT	
Voltage	(90~264)VAC
Frequency	(47~63)hz
Current	1.5A rms @ AC low line input and DC output full load
Inrush Surge Current (cold start)	40/60A max@power supply cold start,ambient temperature 25°C @115Vac/230Vac nominal AC input
leakage current	0.25mA Max
PROTECTION	
Over current/ Short protection	The power supply will self-protect any output to ground & auto recovery when abnormal circuit faults remove. An output short circuit is defined as any output impedance less than 0.1 ohms.
Over Voltage	The power supply will be auto recovered when faults remove
Input protection	F1 2A/250V Fuse The power supply shall be protected against power line surges and any abnormal condition
No Load protection	The power supply is provided with no load operation to prevent the power supply and system from damage.
Protection class	II

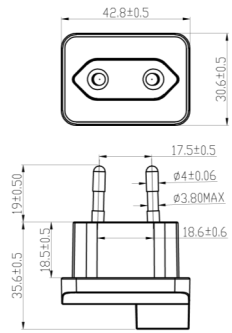
CE	
EMC	2014/30/EU
LVD	2014/35/EU EN 62368-1:2014+A11:2017
SAFETY	
CE FCC UKCA	
OTHERS	
Dielectric Strength(Hi-pot)	Primary to Secondary:3000VAC 10mA/60S
M.T.B.F	500,000 Calculated Hours at 25°C, by Telcordia SR-332
DC output	Type C
PLD (power line disturbance)	Line power surge Line voltage SAG-more info on request
Cooling method	Natural Convection Cooling
Housing material	PC
Temperature coefficient:	<±0.5%/°C
ENVIRONMENT	
Temperature	Operating: 0~40°C / Storage: -20~85°C
Humidity	Operating: 8%~90%RH / Storage: 5%~95% RH non condens-ing
WEIGHT	
NW: 150g/pc	
GW: 16kg/box	
PACKING	
PE plastic bag	100 pcs /1 box

Mechanical case specification: + fixed plug US / Japan type (W2)

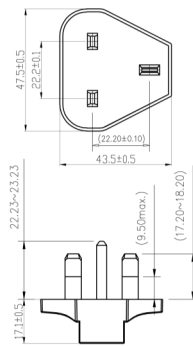


Mechanical specification (country housing):

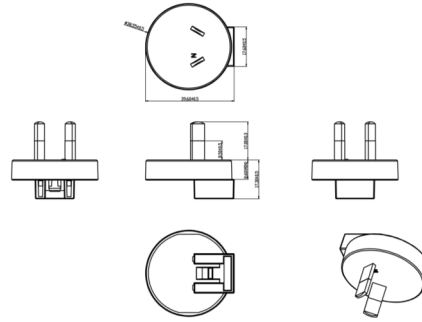
Europe type (W2E)



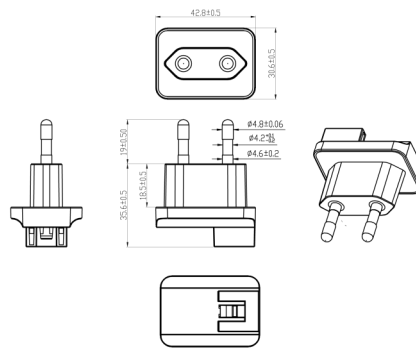
UK type (W3U)



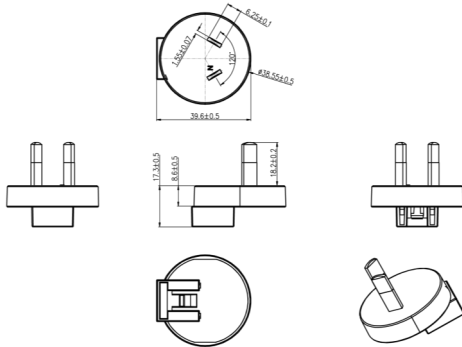
Australia type (W2A)



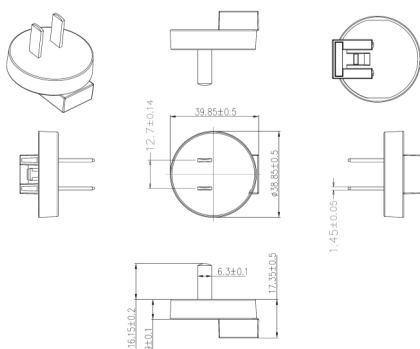
Korea (W2K)



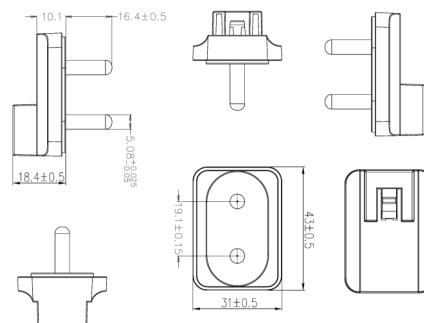
Argentina (W2G)



China (W2C)



India (W2I)



Country of Origin : China
 Operating Temperature : 0~40 [°C]
 Dimension : 61 × 61 × 29 [mm]

Efficiency level (ErP) : VI



Approvals / Marks :



Specifications

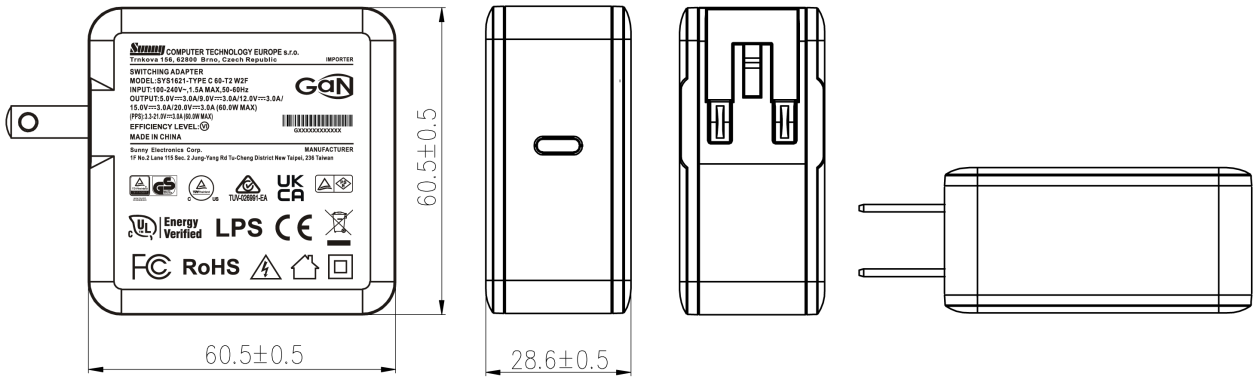
Model	Voltage DC/Loading [V/A]	Max. Power [W]	Ripple / Noise [mV] p-p	Connector
SYS1621-TYPE C 60-T2 W2F	5V/3A, 9V/3A, 12V/3A, 15V/3A, 20V/3A	60	250	USB-C

Features:

GaN technology Power Supply
 Auto-detect the charging voltage and current for Type C and ios devices.
 Meet PD3.0 requirement rules
 The Programmable Power Supply (PPS) output is 3.3-21V / 3.0A max (60W max)
 PSU housing ready for use in country : Wxx = W2E - Europe | W3U - England | W2 - USA, Canada, Japan (fixed) | W2A - Australia | W2G - Argentina | W2K - Korea
 Output connector: Regulated Output With Low Ripple Noise | Safety Agency Requirements and EMI/EMS Certified
 Private Label Marking Available | 2 Years Warranty

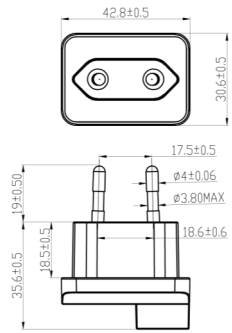
INPUT OUTPUT	Voltage	90-264VAC
	Current	1.5A rms max At AC low line input and DC output full load
	Inrush Current	0
	Power consumption	0.21W max. with output no load at 115VAC/230VAC input
	Efficiency	Meet ERP level VI
	Hold up time	0
	Turn delay	5000mS max. At AC low line input @ output full load.
	Ripple noise	250mV
	Burn-in	2 Hour Full Load
PROTECTION	Over current Short protection	Fold back Auto recovery when abnormal circuit faults remove.
	Over Voltage	Auto recovery
	Input protection	3.15A/250V Fuse The power supply shall be protected against power line surges and any abnormal condition
	Protection class	Class II
SAFETY	CE EMC	2014/30/EU
	CE LVD	2014/35/EU EN IEC 62368-1:2020+A11:2020
	Safety approvals	GS cTUVus FCC CE CB SAA+RCM PSE UKCA
	Dielectric Strength (Hi-pot)	IEC 320 2pin primary to secondary 4000Vdc 10mA 1min
	Leakage current	0.25 mA max.
ENVIRONMENTAL	Temperature	Operating: -5~35°C / Storage: -20~85°C
	Humidity	Operating: 8%~90%RH / Storage:5%~95% RH
	Cooling	Natural Convection Cooling
OTHER	MTBF	MTBF shall be least 50,000 hours at 25°C (MIL-HDBK-217F)
	Weight	0
	Dimension	61x61x29 mm
	Packing	100 pcs 1 box

Mechanical case specification: + fixed plug US / Japan type (W2)

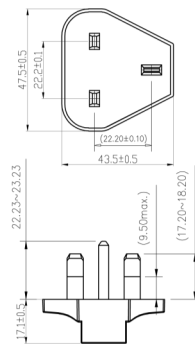


Mechanical specification (country housing):

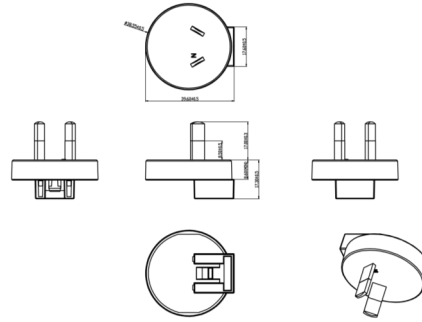
Europe type (W2E)



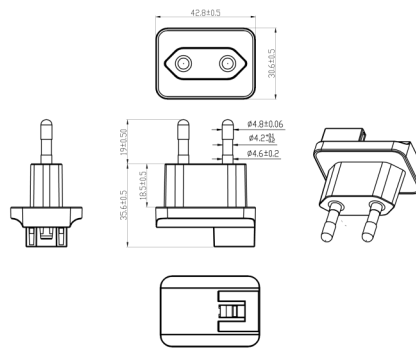
UK type (W3U)



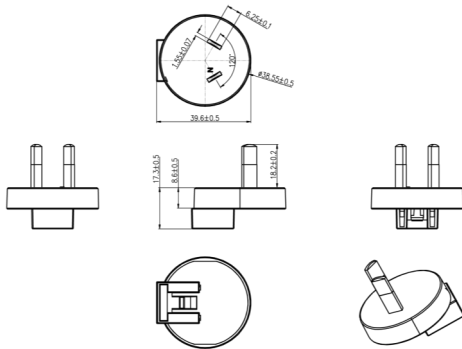
Australia type (W2A)



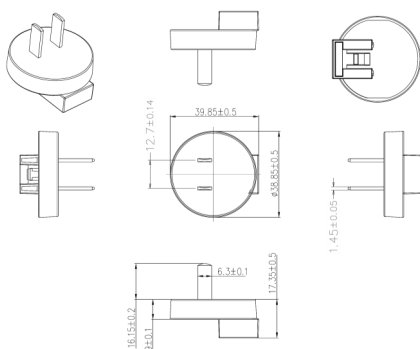
Korea (W2K)



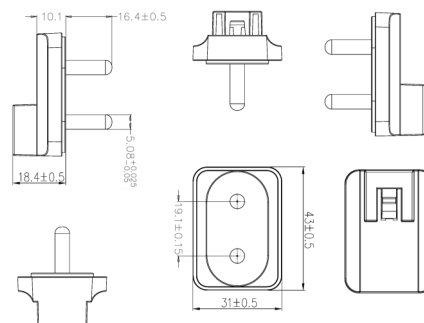
Argentina (W2G)




China (W2C)



India (W2I)



Country of Origin : China
 Operating Temperature : 0~40 [°C]
 Efficiency level (ErP) : 

Approvals / Marks :



Features:

LAN Activity Indicator: Detects if LAN is connected to device

Remote Reset Capability: Supports Airmax Bullet, Rocket, Nano, Pico

APPLICATION: telecommunication apparatus only

Specification:

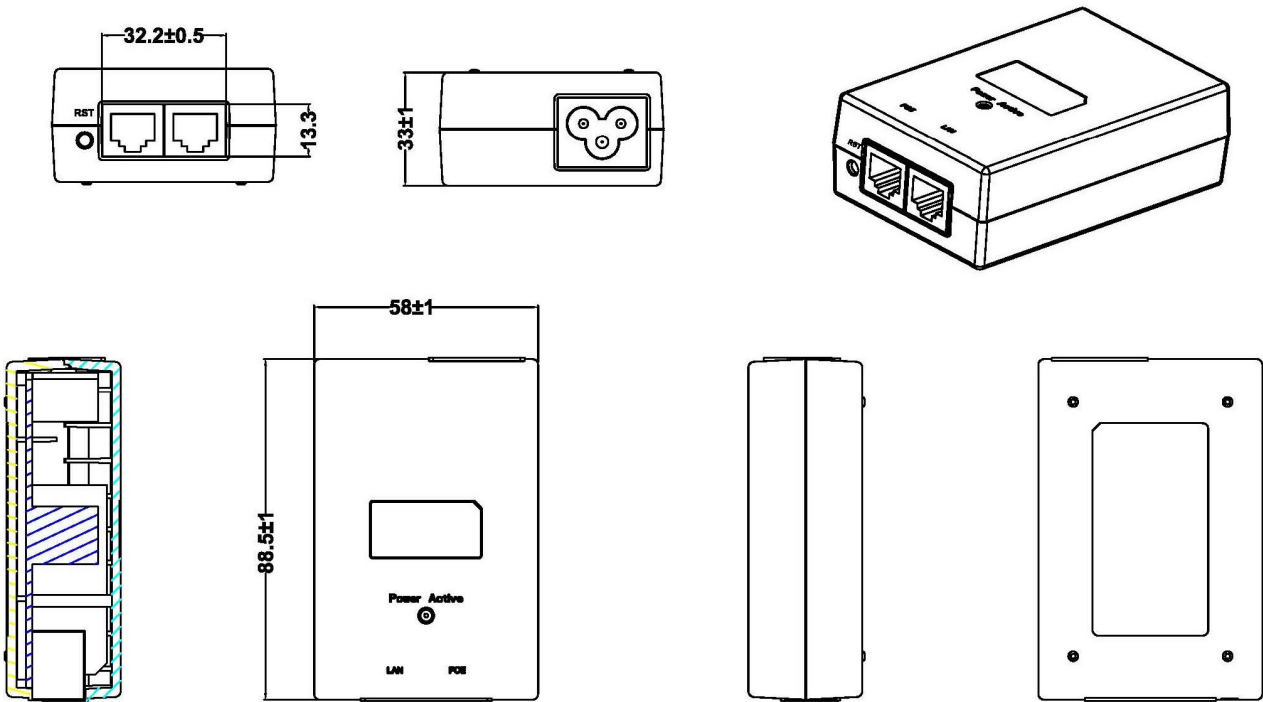
Model	PoE-1215-M3	PoE-2424-M3
Size (L*W*H)	85 x 43 x 30 [mm]	85 x 55 x 33 [mm]
Output Voltage:	15VDC @0.8A	24VDC @1.0A
Input Voltage:	90-260VAC @47-63Hz	90-260VAC @47-63Hz
Input Current:	0.3A @120VAC, 0.2A @230VAC	0.3A @120VAC, 0.2A @230VAC
Inrush Current:	<15A peak @120VAC, <30A peak	<15A peak @120VAC, <30A peak
Efficiency	78%	78%
Output Ripple	1% Max (150mV)	1% Max (240mV)
Short Circuit	The adapter shall not damage by short the DC output to ground	The adapter shall not damage by short the DC output to ground
Peak Load Current	Max. 1.1A (time <60sec)	Max 1.3A (time <60sec)
Hold-up Time	10mS at typical input voltage and full load	10mS at typical input voltage and full load
Turn-on Delay	3sec at typical input voltage and load current	3sec at typical input voltage and load current
Over Current	Auto recovery	Auto recovery
Over Voltage Protection	Typ. 16.5V, Max 19.5V	Typ. 27.6V, Max. 32V
Switching Frequency	200kHz	200kHz
Line Regulation	+/- 0.5%	+/- 0.5%
Load Regulation	+/- 1%	+/- 1%
Suitable AC cable	IEC320-C5 ("Mickey Mouse")	IEC320-C5 ("Mickey Mouse")
Data IN / PoE	RJ45 Shielded Socket	RJ45 Shielded Socket
80% Current Indicator	Power LED will change color	Power LED will change color
Surge Protection	Common Mode	Common Mode
Shunt Capacitance	<5pF data	<5pF data
Response Time	<1Sec	<1Sec
Temperature	Operating: (0 ~ 40)°C / Storage: (-20 ~ 85)°C	Operating: (0 ~ 40)°C / Storage: (-20 ~ 85)°C
Humidity	Operating: 5% ~ 90% non condensing	Operating: 5% ~ 90% non condensing

SAFETY

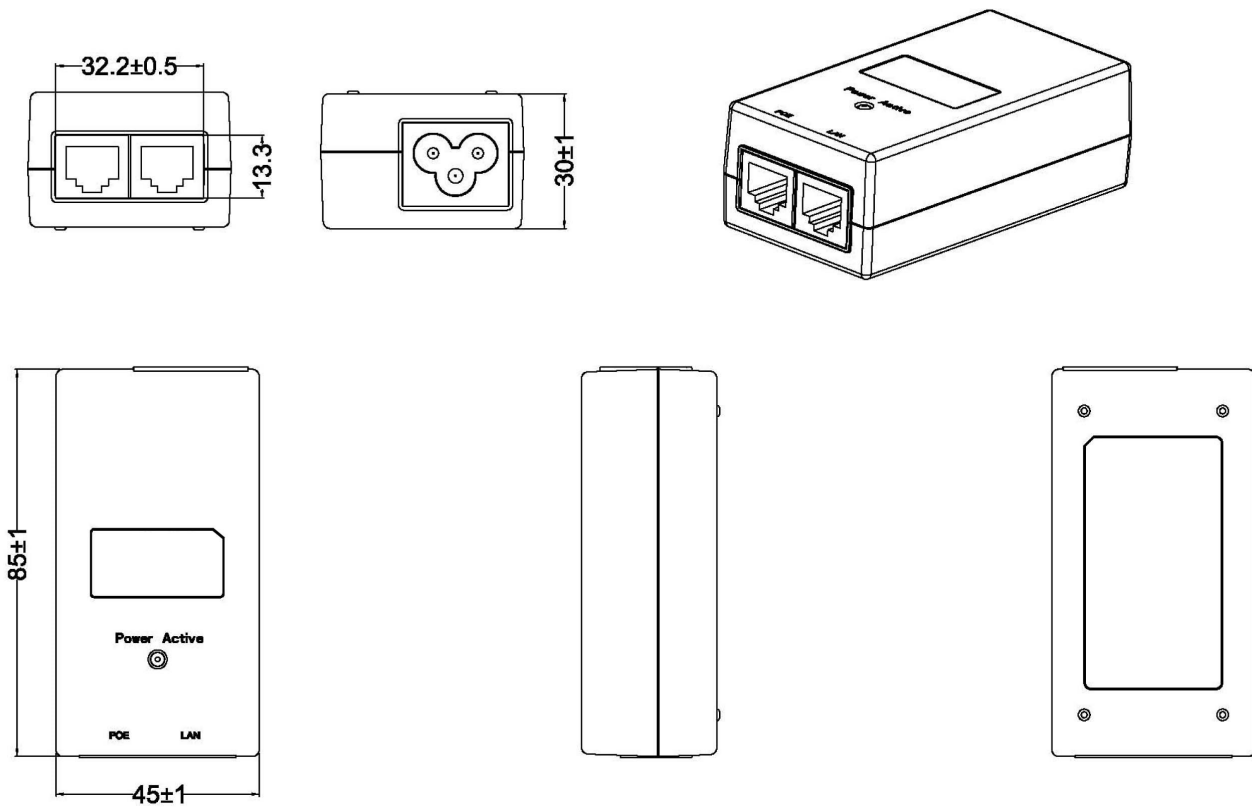
CE | FC | TUV/GS | cULud

CE	EMC 2014/30/EU	
	LVD 2014/35/EU EN 60950-1:2006+A11+A12+A2	
WEIGHT / 1pc	N.W.: 0,092kg / pc G.W.: 0,105kg / pc	N.W.: 0,135kg / pc G.W.: 0,148kg / pc
PACKING / Box	0.410(L) x 0.280(W) x 0.240(H) [m]	
	96 pcs / 1box	
	G.W.: 11kg/box	G.W.: 15.2kg/box

Mechanical case specification of PoE-1215-M3 :



Mechanical case specification of PoE-2424-M3 :



Country of Origin : China
 Operating Temperature : 0~40 [°C]
 Dimension : 93 x 50 x 33 [mm]
 Efficiency level (ErP) :

VI



Approvals / Marks :



Specifications

Model	Voltage DC [V]	Loading [A]	Max. Power [W]	Ripple / Noise [mV] p-p	Connector [mm]
SYS1001-0505-T2	5	0~1.0	5	150	2.1x5.5x11
SYS1001-0608-T2	7.5	0~0.8	6	150	2.1x5.5x11
SYS1001-0609-T2	9	0~0.66	6	150	2.1x5.5x11
SYS1001-0612-T2	12	0~0.5	6	150	2.1x5.5x11
SYS1001-0615-T2	15	0~0.4	6	200	2.1x5.5x11
SYS1001-0618-T2	18	0~0.33	6	200	2.1x5.5x11
SYS1001-0624-T2	24	0~0.25	6	240	2.1x5.5x11

Features:

Available in inlet version: C7 (T2)
 Output connector: standard: 2.1 x 5.5 x 11mm or customer requirement | Regulated Output With Low Ripple Noise | Safety Agency Requirements and EMI/EMS Certified
 Private Label Marking Available | Modified and Custom Design Available | 2 Years Warranty

OUTPUT

Turn delay	3000ms max@AC low line input@output full load
Hold up time	8ms min@AC nominal input@output full load
Efficiency (Normal)	>72%@115v/60HZ,230V/50HZ input & Full load
Transient response (dv,tmax)	0.4V dv max At AC nominal input loading from 20%load to 80% 16ms tmax Dynamic rise time 10 us max,duty 40ms max,Dynamic load step is slew rate of 0.5A/us
Power out.Limit	6W
Burn in limit	Full load 2 Hours
Power consumption	0.1W max. At AC nominal input@output min load

INPUT

Voltage	(90~264)VAC
Frequency	(47~63)hz
Current	0.5A rms@AC low line input and DC output full load
Inrush Surge Current (cold start)	30/40A max@power supply cold start,ambient temperature 25°C @115Vac/230Vac nominal AC input
leakage current	0.25mA Max

PROTECTION

Over current/ Short protection	The power supply will be auto recovered when over current or short circuit faults remove (fold back). Is defined as any output impedance of less than 0.1Ω. The power supply will be auto recovered when short circuit faults remove
Over Voltage	The power supply will not be auto recovered when faults remove
Input protection	F1:1A 250V Fuse The power supply shall be protected against
No Load protection	The power supply is provided with no load operation to prevent
Protection class	II

CE

EMC	2014/30/EU
LVD	2014/35/EU EN 62368-1:2014+A11:2017

SAFETY

cTUVus | FCC | GS | CE | CB | RCM | SAA | PSE | EAC | UKCA

OTHERS

Dielectric Strength (Hi-pot)	I/P-O/P:3000VAC
M.T.B.F	500,000 Calculated Hours at 25°C, by Telcordia SR-332
Cable Length	1370mm (4.5 feet) standard cable or as required
PLD	Line power surge Line voltage SAG-more info on request
Cooling method	Natural Convection Cooling
Housing material	PC + ABS
Temperature coefficient:	< ±0.5% / °C

ENVIRONMENT

Temperature	Operating: 0~40°C / Storage: -20~85°C
Humidity	Operating: 8%-90%RH / Storage: 5%-95% RH non condensing

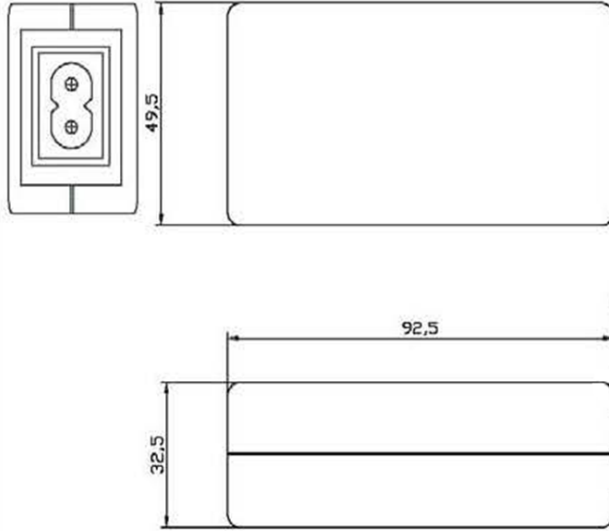
WEIGHT

NW:	98g/pc
GW:	115g/pc

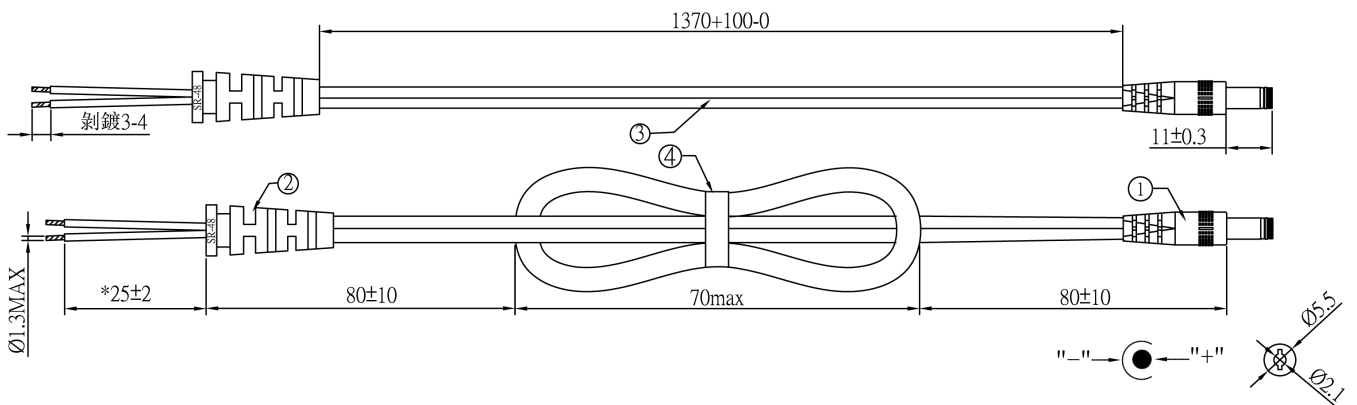
PACKING

Box	100 pcs/1 box
-----	---------------

Mechanical case specification:



Cable specification:



Country of Origin : China
 Operating Temperature : 0~40 [°C]
 Dimension : 93 x 50 x 33 [mm]
 Efficiency level (ErP) :

VI



Approvals / Marks :



Specifications

Model	Voltage DC [V]	Loading [A]	Max. Power [W]	Ripple / Noise [mV] p-p	Connector [mm]
SYS1001-0703-T2	3,3	0~2.2	7.26	120	2.1x5.5x11
SYS1001-1105-T2	5	0~2.1	10	120	2.1x5.5x11
SYS1001-1108-T2	7,5	0~1.6	11	120	2.1x5.5x11
SYS1001-0909-T2	9	0~1.33	9	120	2.1x5.5x11
SYS1001-1212-T2	12	0~1.0	12	200	2.1x5.5x11
SYS1001-1215-T2	15	0~0.8	12	200	2.1x5.5x11
SYS1001-1218-T2	18	0~0.66	12	240	2.1x5.5x11
SYS1001-1224-T2	24	0~0.5	12	240	2.1x5.5x11

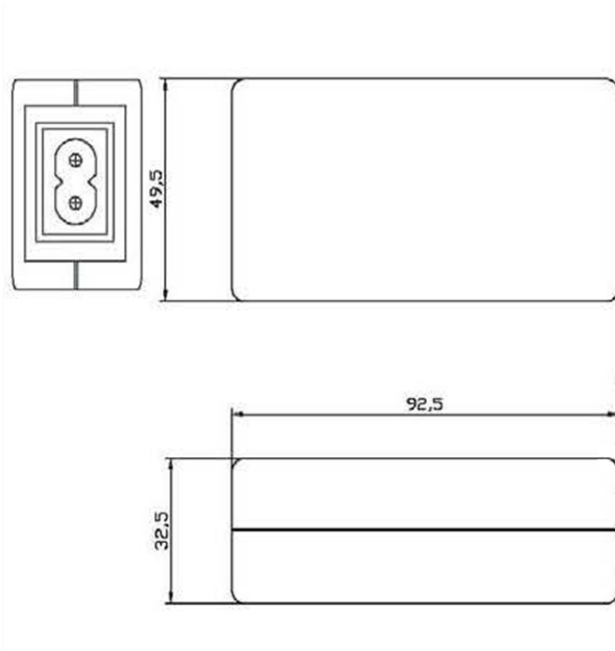
Features:

Available in inlet version: C7 (T2)
 Output connector: standard: 2.1 x 5.5 x 11mm or customer requirement | Regulated Output With Low Ripple Noise | Safety Agency Requirements and EMI/EMS Certified
 Private Label Marking Available | Modified and Custom Design Available | 2 Years Warranty

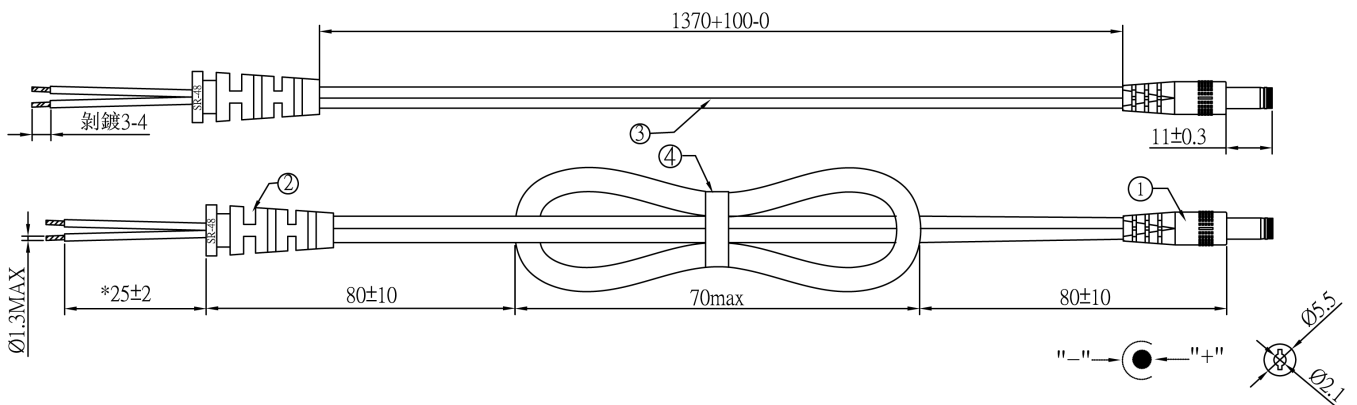
OUTPUT	
Turn delay	3000ms max@AC low line input@output full load
Hold up time	8ms min@AC nominal input@output full load
Efficiency (Normal)	>80%@115v/60HZ,230V/50HZ input & Full load
Transient response (dv,tmax)	0.4V dv max At AC nominal input loading from 20%load to 80% 16ms tmax Dynamic rise time 10 us max,duty 40ms max,Dynamic load step is slew rate of 0.5A/us
Power out.Limit	12W
Burn in limit	Full load 2 Hours
Power consumption	0.1W max. At AC nominal input@output min load
INPUT	
Voltage	(90~264)VAC
Frequency	(47~63)hz
Current	0.5A rms@AC low line input and DC output full load
Inrush Surge Current (cold start)	30/40A max@power supply cold start,ambient temperature 25°C @115Vac/230Vac nominal AC input
leakage current	0.25mA Max
PROTECTION	
Over current/ Short protection	The power supply will be auto recovered when over current or short circuit faults remove (fold back). Is defined as any output impedance of less than 0.1Ω.The power supply will be auto recovered when short circuit faults remove
Over Voltage	The power supply will not be auto recovered when faults remove
Input protection	F1:1A 250V Fuse The power supply shall be protected against
No Load protection	The power supply is provided with no load operation to prevent
Protection class	II

CE	
EMC	2014/30/EU
LVD	2014/35/EU EN 62368-1:2014+A11:2017
SAFETY	
cTUVus FCC GS CE CB RCM SAA PSE EAC UKCA	
OTHERS	
Dielectric Strength	I/P-O/P:3000VAC
M.T.B.F	500,000 Calculated Hours at 25°C, by Telcordia SR-332
Cable Length	1370mm (4.5 feet) standard cable or as required
PLD (power line disturbance)	Line power surge Line voltage SAG-more info on request
Cooling method	Natural Convection Cooling
Housing material	PC + ABS
Temperature coefficient:	< ±0.5% / °C
ENVIRONMENT	
Temperature	Operating: 0~40°C / Storage: -20~85°C
Humidity	Operating: 8%~90%RH / Storage: 5%~95% RH non condensing
WEIGHT	
NW:	108g/pc
GW:	129g/pc
PACKING	
Box	100 pcs/1 box

Mechanical case specification:



Cable specification:



Country of Origin : China
 Operating Temperature : 0~40 [°C]
 Dimension : 86 x 45 x 31 [mm]
 Efficiency level (ErP) : VI



Approvals / Marks :



Specifications

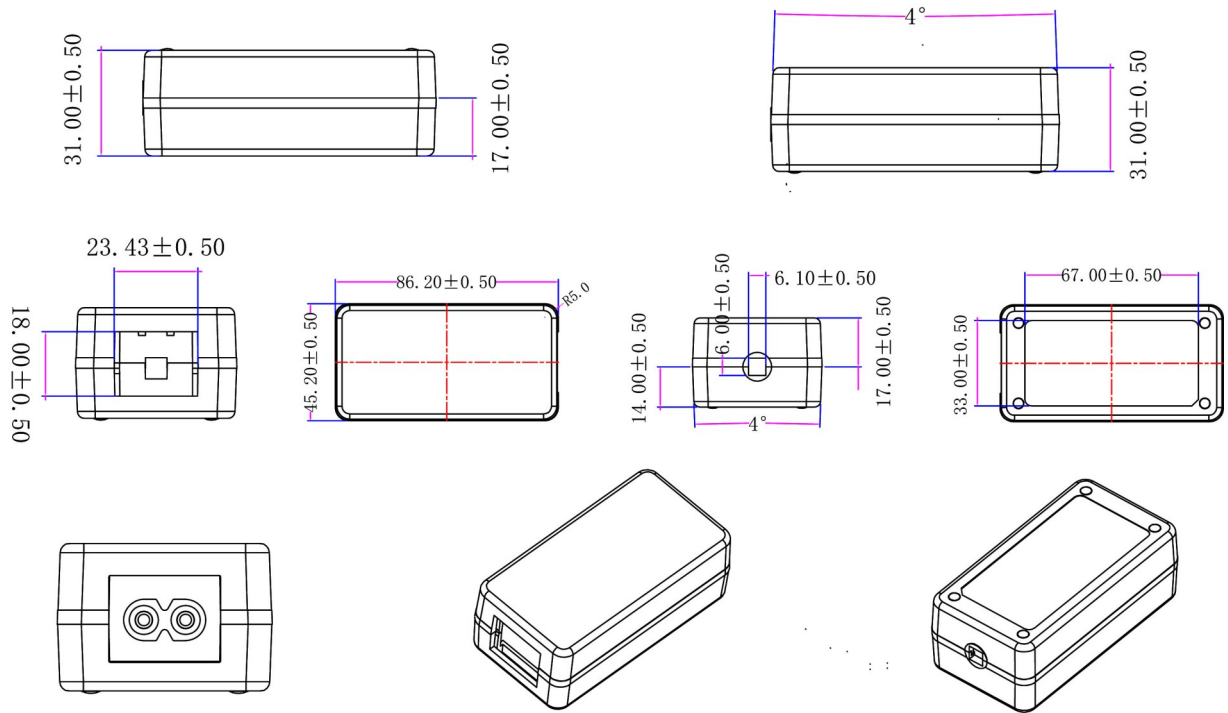
Model	Voltage DC [V]	Loading [A]	Max. Power [W]	Ripple / Noise [mV] p-p	Connector [mm]
SYS1181-1505-T2	5	0~3.0	15	200	2.1x5.5x11
SYS1181-1506-T2	6	0~2.5	15	200	2.1x5.5x11
SYS1181-1809-T2	9	0~2.0	18	200	2.1x5.5x11
SYS1181-1812-T2	12	0~1.5	18	200	2.1x5.5x11
SYS1181-1815-T2	15	0~1.2	18	200	2.1x5.5x11
SYS1181-1818-T2	18	0~1.0	18	200	2.1x5.5x11
SYS1181-1824-T2	24	0~0.75	18	200	2.1x5.5x11

Features:

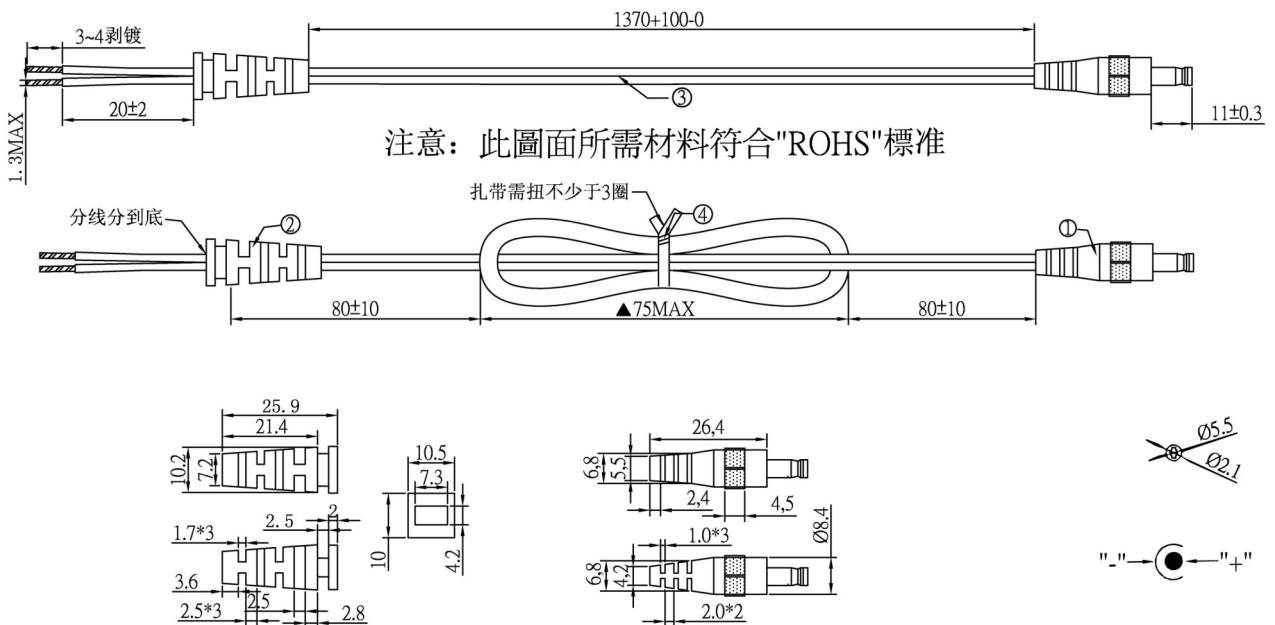
Output connector: standard: 2.1 x 5.5 x 11mm or customer requirement | Regulated Output With Low Ripple Noise | Safety Agency Requirements and EM/EMS Certified
 Private Label Marking Available | Modified and Custom Design Available | 2 Years Warranty

INPUT OUTPUT	Voltage	90-264VAC
	Current	0.5A max At 100VAC & 240VAC@full load
	Inrush Current	40/60A max At cold start, ambient temperature 25°C nominal AC input 100VAC/240VAC
	Power consumption	0.1W max. with output no load at 115VAC/230VAC input
	Efficiency	Meet ERP level VI
	Hold up time	8mS min At AC nomind input @ output full load
	Turn delay	5000mS max. At AC low line input @ output full load.
	Ripple noise	200mV
	Burn-in	220VAC 80% Load (Ref) 4hours & 40°C +/- 5
PROTECTION	Over current Short protection	Automatic recovery
	Over Voltage	The power supply shall be self-recovering when the fault condition is removed
	Input protection	The switching adaptor use 3.15A fuse
	Protection class	Class II
SAFETY	CE EMC	2014/30/EU
	CE LVD	2014/35/EU EN 62368-1:2014+A11:2017
	Safety approvals	ETL/cETL TUV/GS FCC CE CB SAA PSE LVD UKCA
	Dielectric Strength (Hi-pot)	AC3000V,5.0mA,1 minute for type test
	Leakage current	0.25 mA max.
ENVIRONMENTAL	Temperature	Operating: 0~40°C / Storage: -25~50°C
	Humidity	Operating: 20%~80%RH / Storage:5%~95% RH
	Cooling	The power supply will operate with convection cooling. Blocking of vents must not cause damage to the power supply.
OTHER	MTBF	MTBF shall be least 50,000 hours at 25°C (MIL-HDBK-217F)
	Weight	95±3.5 g
	Dimension	86x45x31 mm
	Packing	100 pcs 1 box

Mechanical case specification:

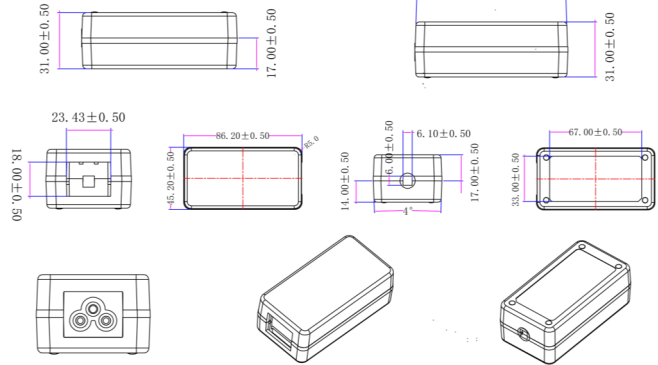


Cable specification:



Country of Origin : China
 Operating Temperature : 0~40 [°C]
 Dimension : 86 x 45 x 31 [mm]
 Efficiency level (ErP) : VI

GREEN MODE RoHS



Approvals / Marks :



Specifications

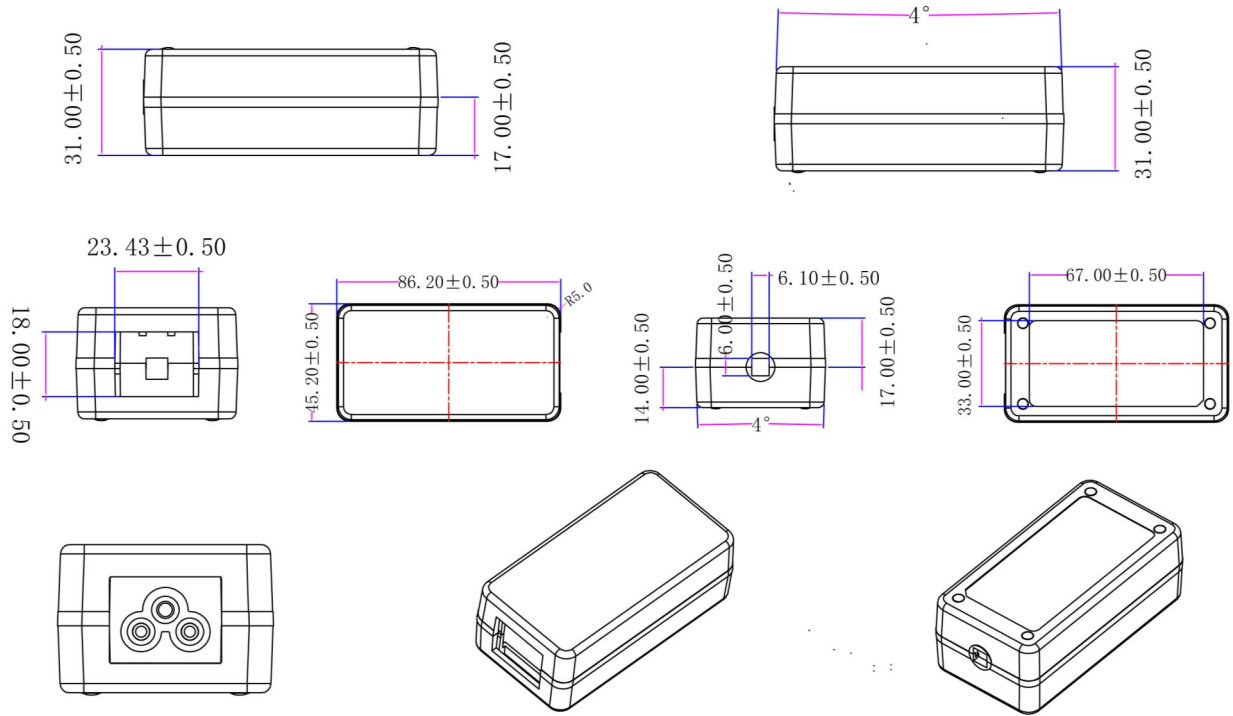
Model	Voltage DC [V]	Loading [A]	Max. Power [W]	Ripple / Noise [mV] p-p	Connector [mm]
SYS1181-1505-M3	5	0~3.0	15	200	2.1x5.5x11
SYS1181-1506-M3	6	0~2.5	15	200	2.1x5.5x11
SYS1181-1809-M3	9	0~2.0	18	200	2.1x5.5x11
SYS1181-1812-M3	12	0~1.5	18	200	2.1x5.5x11
SYS1181-1815-M3	15	0~1.2	18	200	2.1x5.5x11
SYS1181-1818-M3	18	0~1.0	18	200	2.1x5.5x11
SYS1181-1824-M3	24	0~0.75	18	200	2.1x5.5x11

Features:

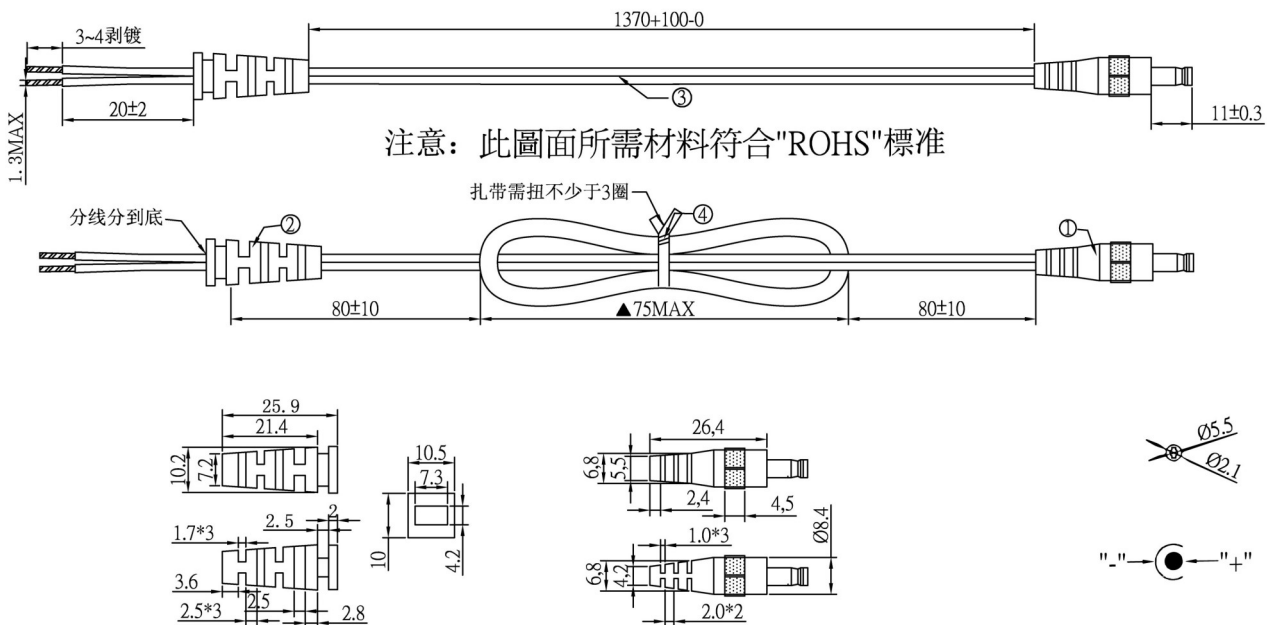
Output connector: standard: 2.1 x 5.5 x 11mm or customer requirement | Regulated Output With Low Ripple Noise | Safety Agency Requirements and EM/EMS Certified
 Private Label Marking Available | Modified and Custom Design Available | 2 Years Warranty

INPUT OUTPUT	Voltage	90-264VAC
	Current	0.5A max At 100VAC & 240VAC@full load
	Inrush Current	40/60A max At cold start, ambient temperature 25°C nominal AC input 100VAC/240VAC
	Power consumption	0.1W max. with output no load at 115VAC/230VAC input
	Efficiency	Meet ERP level VI
	Hold up time	8mS min At AC nomind input @ output full load
	Turn delay	5000mS max. At AC low line input @ output full load.
	Ripple noise	200mV
	Burn-in	220VAC 80% Load (Ref) 4hours & 40°C +/- 5
PROTECTION	Over current Short protection	Automatic recovery
	Over Voltage	The power supply shall be self-recovering when the fault condition is removed
	Input protection	The switching adaptor use 3.15A fuse
	Protection class	Class I
SAFETY	CE EMC	2014/30/EU
	CE LVD	2014/35/EU EN 62368-1:2014+A11:2017
	Safety approvals	ETL/cETL TUV/GS FCC CE CB SAA PSE LVD UKCA
	Dielectric Strength (Hi-pot)	AC3000V,5.0mA,1 minute for type test
	Leakage current	0.25 mA max.
ENVIRONMENTAL	Temperature	Operating: 0~40°C / Storage: -25~50°C
	Humidity	Operating: 20%~80%RH / Storage:5%~95% RH
	Cooling	The power supply will operate with convection cooling. Blocking of vents must not cause damage to the power supply.
OTHER	MTBF	MTBF shall be least 50,000 hours at 25°C (MIL-HDBK-217F)
	Weight	95±3.5 g
	Dimension	86x45x31 mm
	Packing	100 pcs 1 box

Mechanical case specification:



Cable specification:



Country of Origin : China
 Operating Temperature : 0~40 [°C]
 Dimension : 87 x 47 x 33 [mm]
 Efficiency level (ErP) : VI





Approvals / Marks :



Specifications

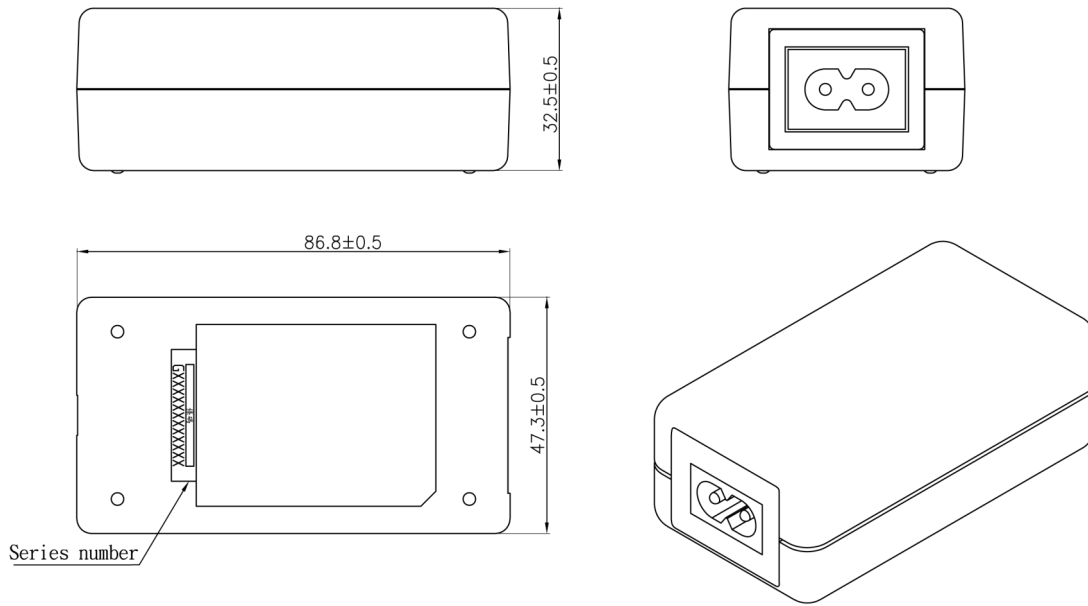
Model	Voltage DC [V]	Loading [A]	Max. Power [W]	Ripple / Noise [mV] p-p	Connector [mm]
SYS1544-1505-T2	5	0~3.0	15	180	2.1x5.5x11
SYS1544-1809-T2	9	0~2.0	18	180	2.1x5.5x11
SYS1544-2412-T2	12	0~2.0	24	180	2.1x5.5x11
SYS1544-2415-T2	15	0~1.6	24	200	2.1x5.5x11
SYS1544-2418-T2	18	0~1.33	24	240	2.1x5.5x11
SYS1544-2424-T2	24	0~1.0	24	300	2.1x5.5x11

Features:

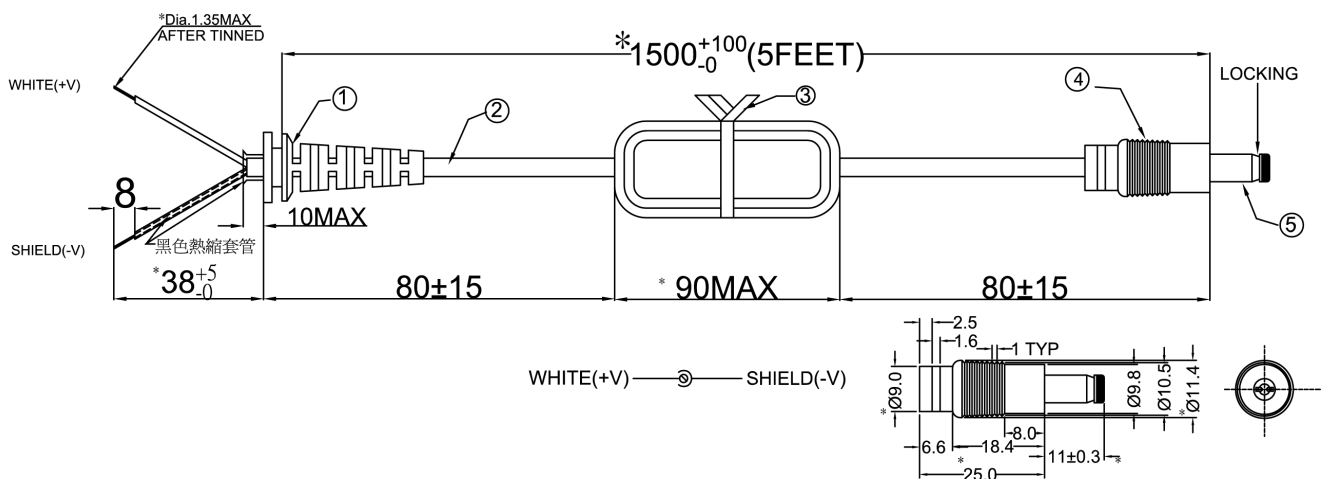
Available in 2 inlet versions: C7 (T2)  C13(T3) 
 Output connector: standard: 2.1 x 5.5 x 11mm or customer requirement | Regulated Output With Low Ripple Noise | Safety Agency Requirements and EMI/EMS Certified
 Private Label Marking Available | Modified and Custom Design Available | 2 Years Warranty

OUTPUT		CE	
Turn delay	3000 ms max@AC low line input@output full load	EMC	2014/30/EU
Hold up time	5ms min@AC nominal input@output full load (>half cycle)	LVD	2014/35/EU EN 62368-1:2014+A11:2017
Efficiency (Normal)	Meet CEC,DOE,ERP,MEPS Level VI @115v/60HZ,230V/50HZ	SAFETY	
Transient response (dv,tmax)	0.4V dv max At AC nominal input loading from 20%load to 80%load 16ms tmax Dynamic rise time 10us max,duty 40ms max,Dynamic load step is slew rate of 0.5A/us	CB CE GS FCC cULus BSMI PSE UKCA	
Power out.Limit	Peak 28w	OTHERS	
Burn in limit	Full load 2 Hours	Dielectric Strength(Hi-pot)	Primary to Secondary:3000VAC 10mA/60S
Power consumption	Less than 0.075W ms max. At AC nominal input@output min load	M.T.B.F	500,000 Calculated Hours at 25°C, by Telcordia SR-332
INPUT		Cable Length	1500mm (5 feet) standard cable or as required
Voltage	(90~264)VAC	PLD (power line disturbance)	Line power surge Line voltage SAG-more info on request
Frequency	(47~63)hz	Cooling method	Natural Convection Cooling
Current	1A rms@AC low line input and DC output full load	Housing material	PC
Inrush Surge Current (cold start)	40/60A max@power supply cold start,ambient temperature 25°C @115Vac/230Vac nominal AC input	Temperature coefficient:	< ±0.5% / °C
leakage current	0.25mA Max	ENVIRONMENT	
PROTECTION		Temperature	Operating: 0~40°C / Storage: -20~85°C
Over current/ Short protection	The power supply will self-protect any output to ground & auto recovery when abnormal circuit faults remove. An output short circuit is defined as any output impedance less than 0.1 ohms.	Humidity	Operating: 8%~90%RH / Storage: 5%~95% RH non condensing
Over Voltage	The power supply will be auto recovered when faults remove	WEIGHT	
Input protection	F1:1A 250V Fuse The power supply shall be protected against power line surges and any abnormal condition	NW:	180g/pc
No Load protection	The power supply is provided with no load operation to prevent the power supply and system from damage.	GW:	11.5kg/box
Protection class	II, (ITU-T K.21 Surge 6KV on request)	PACKING	
		PE plastic bag	60 pcs/1 box

Mechanical case specification:



Cable specification:



Country of Origin : China
 Operating Temperature : 0~40 [°C]
 Dimension : 87 x 47 x 33 [mm]
 Efficiency level (ErP) : VI





Approvals / Marks :



Specifications

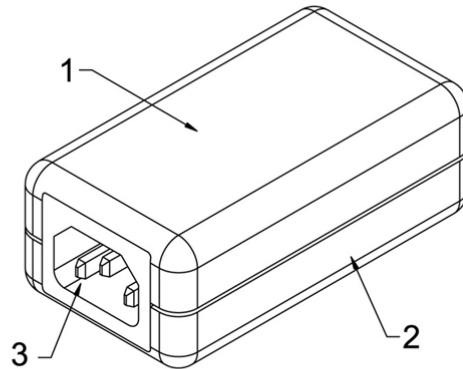
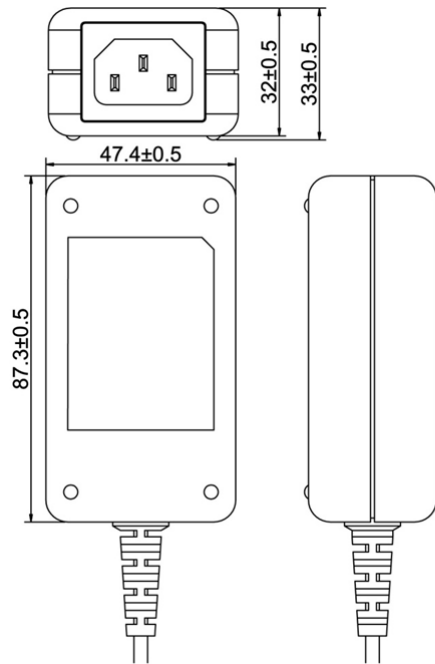
Model	Voltage DC [V]	Loading [A]	Max. Power [W]	Ripple / Noise [mV] p-p	Connector [mm]
SYS1544-1505-T3	5	0~3.0	15	180	2.1x5.5x11
SYS1544-1809-T3	9	0~2.0	18	180	2.1x5.5x11
SYS1544-2412-T3	12	0~2.0	24	180	2.1x5.5x11
SYS1544-2415-T3	15	0~1.6	24	200	2.1x5.5x11
SYS1544-2418-T3	18	0~1.33	24	240	2.1x5.5x11
SYS1544-2424-T3	24	0~1.0	24	300	2.1x5.5x11

Features:

Available in 2 inlet versions: C7 (T2)  C13(T3) 
 Output connector: standard: 2.1 x 5.5 x 11mm or customer requirement | Regulated Output With Low Ripple Noise | Safety Agency Requirements and EM/EMS Certified
 Private Label Marking Available | Modified and Custom Design Available | 2 Years Warranty

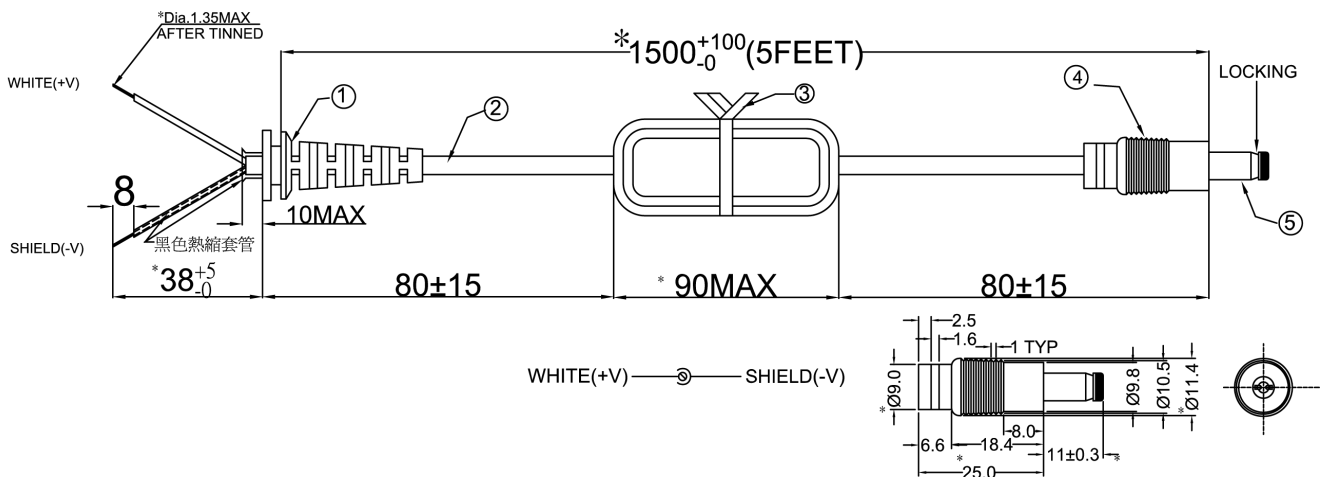
OUTPUT		CE	
Turn delay	3000 ms max@AC low line input@output full load	EMC	2014/30/EU
Hold up time	5ms min@AC nominal input@output full load (>half cycle)	LVD	2014/35/EU EN 62368-1:2014+A11:2017
Efficiency (Normal)	Meet CEC,DOE,ERP,MEPS Level VI @115v/60HZ,230V/50HZ	SAFETY	
Transient response (dv,tmax)	0.4V dv max At AC nominal input loading from 20%load to 80%load 16ms tmax Dynamic rise time 10us max,duty 40ms max,Dynamic load step is slew rate of 0.5A/us	CB CE GS FCC cULus CCC PSE KC(12V) SAA RCM NOM(2412) UKCA EAC BIS(2412/1812/1512/1212) S-MARK	
Power out.Limit	Peak 28w	OTHERS	
Burn in limit	Full load 2 Hours	Dielectric Strength (Hi-pot)	Primary to Secondary:3000VAC 10mA/60S
Power consumption	Less than 0.075W ms max. At AC nominal input@output min load	M.T.B.F	500,000 Calculated Hours at 25°C, by Telcordia SR-332
INPUT		Cable Length	1500mm (15 feet) standard cable or as required
Voltage	(90~264)VAC	PLD (power line disturbance)	Line power surge Line voltage SAG-more info on request
Frequency	(47~63)hz	Cooling method	Natural Convection Cooling
Current	1A rms@AC low line input and DC output full load	Housing material	PC
Inrush Surge Current (cold start)	40/60A max@power supply cold start,ambient temperature 25°C @115Vac/230Vac nominal AC input	Temperature coefficient:	< ±0.5% / °C
leakage current	0.25mA Max	ENVIRONMENT	
PROTECTION		Temperature	Operating: 0~40°C / Storage: -20~85°C
Over current/ Short protection	The power supply will self-protect any output to ground & auto recovery when abnormal circuit faults remove. An output short circuit is defined as any output impedance less than 0.1 ohms.	Humidity	Operating: 8%~90%RH / Storage: 5%~95% RH non condensing
Over Voltage	The power supply will be auto recovered when faults remove	WEIGHT	
Input protection	F1:1A 250V Fuse The power supply shall be protected against power line surges and any abnormal condition	NW:	180g/pc
No Load protection	The power supply is provided with no load operation to prevent the power supply and system from damage.	GW:	11.5kg/box
Protection class	I, (ITU-T K.21 Surge 6KV on request)	PACKING	
		PE plastic bag	60 pcs/1 box


Mechanical case specification:



- 3 socket
- 2 BOTTOM
- 1 TOP

Cable specification:



Country of Origin : China
 Operating Temperature : 0~40 [°C]
 Dimension : 86.8 x 47.3 x 32.3 [mm]
 Suitable AC cable: IEC320-C13
 Efficiency level (ErP) : 
 Approvals / Marks :



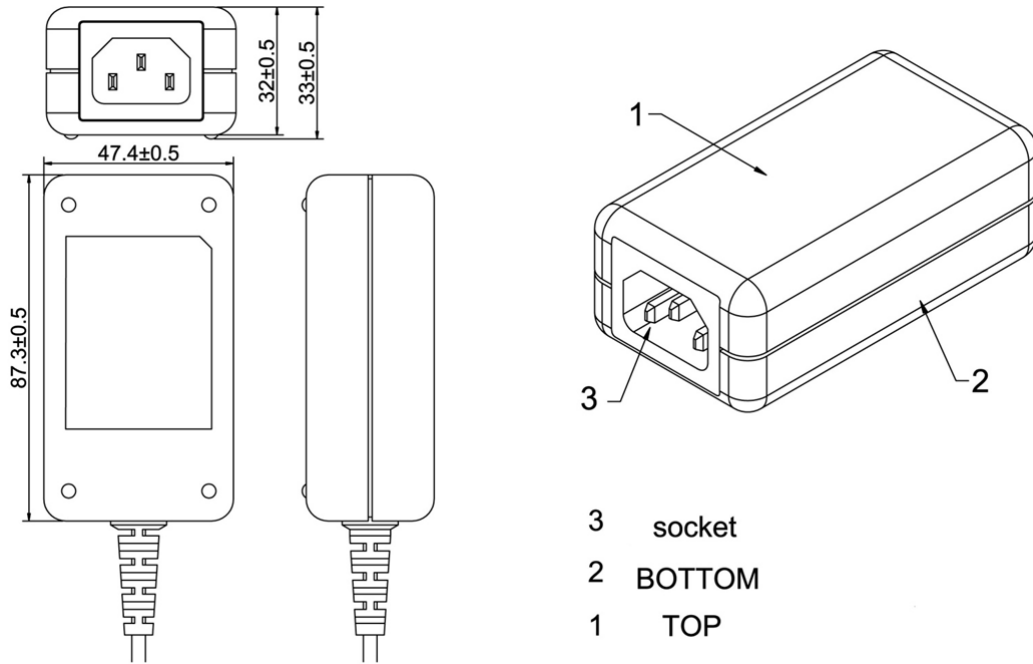
Features:

Wide range Input (90 ~ 264)VAC / (47 ~ 63) Hz.	For I.T.E. use only + RoHS conform.
Over load, over voltage & short protection.	Designed and certified also for cable IEC320-C7 & inlet C8 (T2).
Output connector: standard: 2.1 x 5.5 x 11mm or customer requirement.	

Specification:

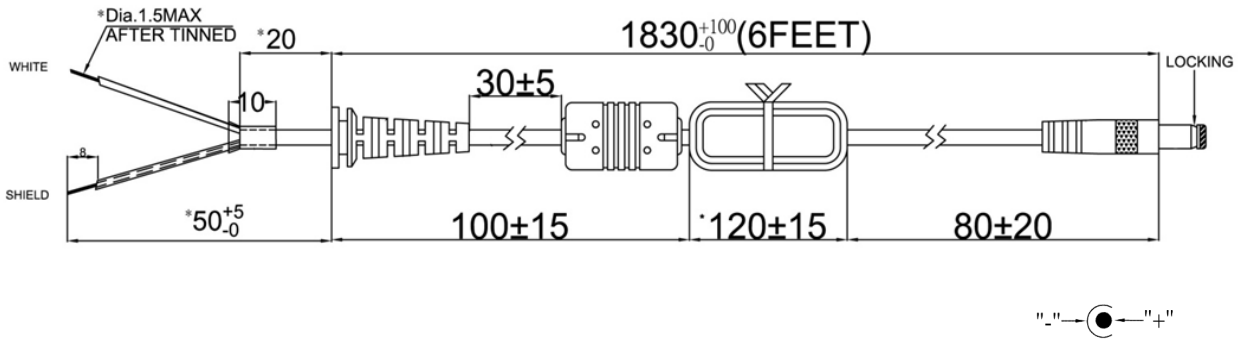
	Model	Voltage DC [V]	Loading [A]	Tol. [%]	OCP [A]	OVP Max [V]	Efficiency [%]	Max. Power [W]	Ripple & Noise [mV]p-p	Connector UL approved [mm]
ErP V.	SYS1319-3012-T3	12	0~2.50	±5	3.0~8.0	16	>83.5	30	120	2.1x5.5x11
	SYS1319-3015-T3	15	0~2.00	±5	2.5~6.5	25	>80.6	30	150	2.1x5.5x11
	SYS1319-3018-T3	18	0~1.66	±5	2.0~5.5	25	>87.0	30	180	2.1x5.5x11
	SYS1319-3024-T3	24	0~1.25	±5	1.5~5.5	25	>84.0	30	240	2.1x5.5x11
OEM Production	This model is certified for Uout=(5,6,9,12,15,16,18,19,20,24)V and Pout=(5~30)W is rising in steps of 1W									
INPUT	Voltage	(90 ~ 264) VAC								
	Frequency	(47 ~ 63) Hz								
	Current	1A rms@ AC low line input and DC output full load								
	Surge Current max.	40/60Amax. @ power supply cold start, ambient temperature 25°C @115Vac/230Vac nominal AC input.								
	Leakage current	3.5mA Max.								
PROTECTION	Over load	OCP	> 120% Fold back							
	Over Voltage	OVP	> 105% Voltage limiting							
	Short Circuit	Yes, Output to Ground, Auto recovery when fault has been removed. Short Current & Over Current can not exceed 8A max. after 1minute at nominal line input.								
	Protection class	I.								
	No Load Operation	Yes, to protect the power supply and system from damage								
OTHERS	Dielectric Strength	I/P-O/P (FG): 3KVAC / 10mA / 1 min								
	Power ON Led	Yes								
	Turn on delay	3000 ms max. @ AC low line input @ output full load								
	Hold-up Time	10ms @ AC nominal Input and Output full load								
	MTBF Qualification	500,000 Calculated Hours at 25°C, by Telcordia SR-332								
	DC cable & connector	Standard length of the cable 1,8m & It depends on customer requirements and upon specifications								
	Efficiency (typical)	>83.5% @ 240VAC input & Full load								
	Power Consumption	Max. 0.3Wrms @ AC nominal Input and Output min. load some models have achieved efficiency level IV.								
	Input Fuse	250VAC / 1.6A protected against power line surges and any abnormal conditions								
ENVIRONMENT	Temperature	Operating: (0 ~ 40)°C / Storage: (-20 ~ 85)°C								
	Humidity	Operating: (8 ~ 90)% RH / Storage: (5 ~ 95)% RH non condensing								
SAFETY CE TUV/GS CB cULus KC (Only for SYS1319-3012, SYS1319-3015) FCC										
CE	EMC	2014/30/EU								
	LVD	2014/35/EU EN 60950-1:2006+A11+A1+A12+A2								
WEIGHT	1pc	N.W.: 200g / pc								
		0.48 x 0.26 x 0.44 [m]								
PACKING	Box	60 pcs / 1box								
		G.W.: 15kg / box								

Mechanical case specification:



Cable specification:

1185#18*1C + shield / 6FT (1830mm)



Country of Origin : China
 Operating Temperature : 0~40 [°C]
 Dimension : 92 x 50 x 32 [mm]
 Efficiency level (ErP) : VI



Approvals / Marks :



Specifications

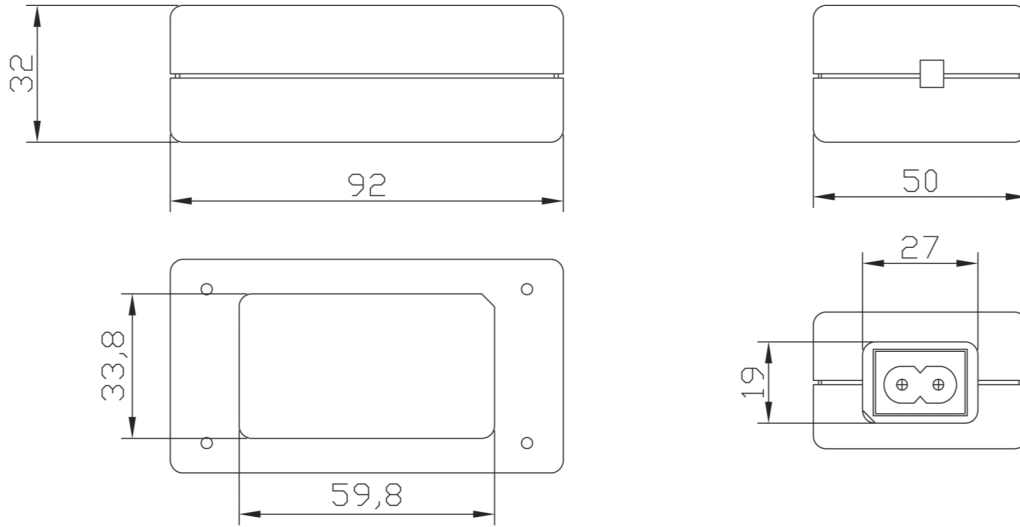
Model	Voltage DC [V]	Loading [A]	Max. Power [W]	Ripple / Noise [mV] p-p	Connector [mm]
SYS1588-2005-T2	5.1	0~4	20.4	120	2.1x5.5x11
SYS1588-2709-T2	9	0~3	27	120	2.1x5.5x11
SYS1588-3012-T2	12	0~2.5	30	200	2.1x5.5x11
SYS1588-3015-T2	15	0~2.0	30	200	2.1x5.5x11
SYS1588-3018-T2	18	0~1.66	30	240	2.1x5.5x11
SYS1588-3024-T2	24	0~1.25	30	240	2.1x5.5x11
SYS1588-3048-T2	48	0~0.63	30	400	2.1x5.5x11

Features:

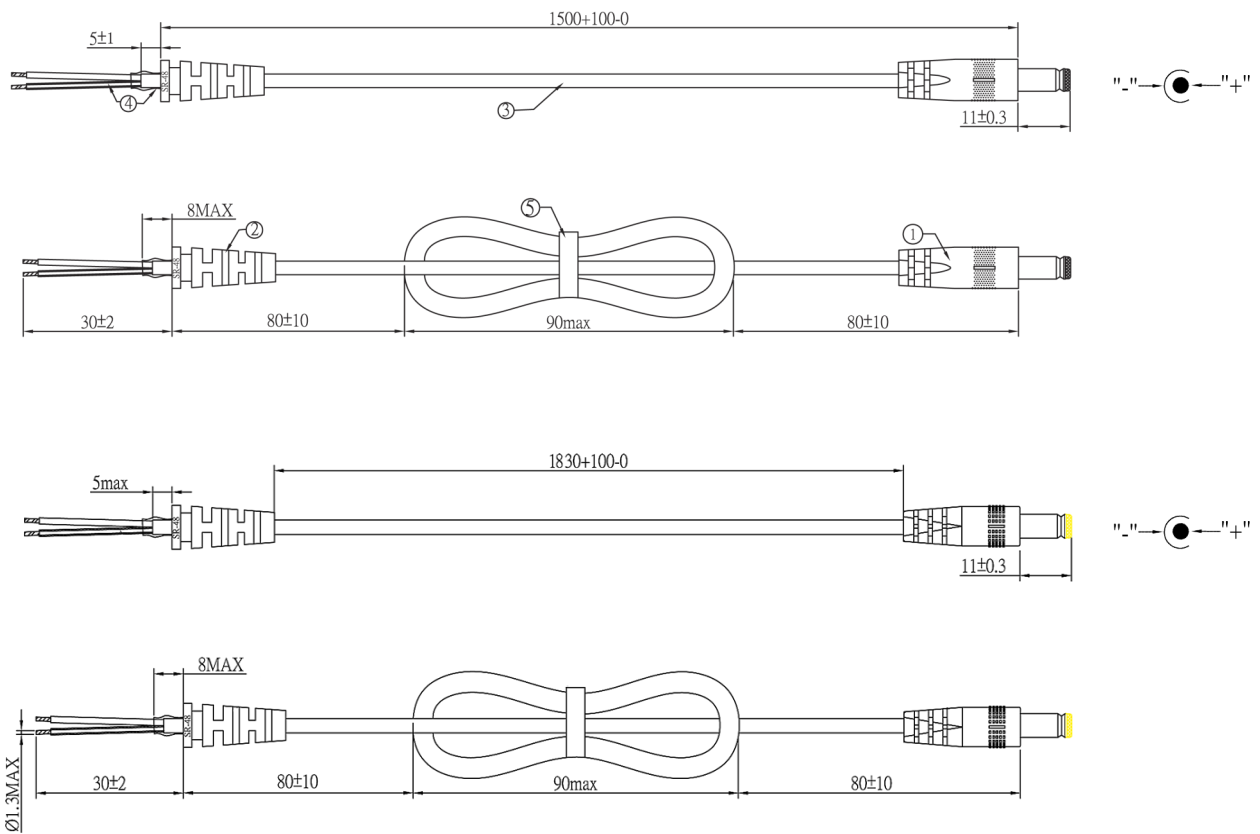
Available in inlet version: C7 (T2)
 Output connector: standard: 2.1 x 5.5 x 11mm or customer requirement | Regulated Output With Low Ripple Noise | Safety Agency Requirements and EMV/EMS Certified
 Private Label Marking Available | Modified and Custom Design Available | 2 Years Warranty

OUTPUT		CE	
Turn delay	5000 ms max@AC low line input@output full load	EMC	2014/30/EU
Hold up time	8ms min@AC nominal input@output full load	LVD	2014/35/EU EN 62368-1:2014+A11:2017
Efficiency (Normal)	>85%@115v/60HZ,230V/50HZ input & Full load	SAFETY	
Transient response (dv,tmax)	0.4V dv max At AC nominal input loading from 20%load to 80% load 16ms tmax Dynamic rise time 10 us max,duty 40ms max,Dynamic load step is slew rate of 0.5A/us	cTUVus FCC GS CE CB RCM SAA PSE EAC UKCA	
Power out.Limit	30W	OTHERS	
Burn in limit	Full load 2 Hours	Dielectric Strength	I/P-O/P:3000VAC
Power consumption	0.1W max. At AC nominal input@output min load	M.T.B.F	500,000 Calculated Hours at 25°C, by Telcordia SR-332
INPUT		Cable Length	1500mm (5 feet) or 1830mm (6 feet) standard cable or as required
Voltage	(90~264)VAC	PLD (power line disturbance)	Line power surge Line voltage SAG-more info on request
Frequency	(47~63)hz	Cooling method	Natural Convection Cooling
Current	1.5A rms@AC low line input and DC output full load	Housing material	PC + ABS
Inrush Surge Current (cold start)	40/60A max@power supply cold start,ambient temperature 25°C @115Vac/230Vac nominal AC input	Temperature coefficient:	< ±0.5% / °C
leakage current	5mA maximum,At nominal AC input voltage and frequency.	ENVIRONMENT	
PROTECTION		Temperature	Operating: 0~40°C / Storage: -20~85°C
Over current/ Short protection	The power supply will be auto recovered when over current or short circuit faults remove (fold back). Is defined as any output impedance of less than 0.1Ω. The power supply will be auto recovered when short circuit faults remove	Humidity	Operating: 8%~90%RH / Storage: 5%~95% RH non condensing
Over Voltage	he power supply shall be self-recovering when the fault condition is removed.	WEIGHT	
Input protection	The switching adaptor use 2.0A fuse.	NW:	187g/pc
No Load protection	The power supply is provided with no load operation to prevent the power supply and system from damage.	GW:	208g/pc
Protection class	II, (ITU-T K.21 Surge 6KV on request)	PACKING	
		Box	50 pcs/1 box

Mechanical case specification:



Cable specification:



Country of Origin : China
 Operating Temperature : 0~40 [°C]
 Dimension : 92 x 50 x 32 [mm]
 Efficiency level (ErP) : VI



Approvals / Marks :



Specifications

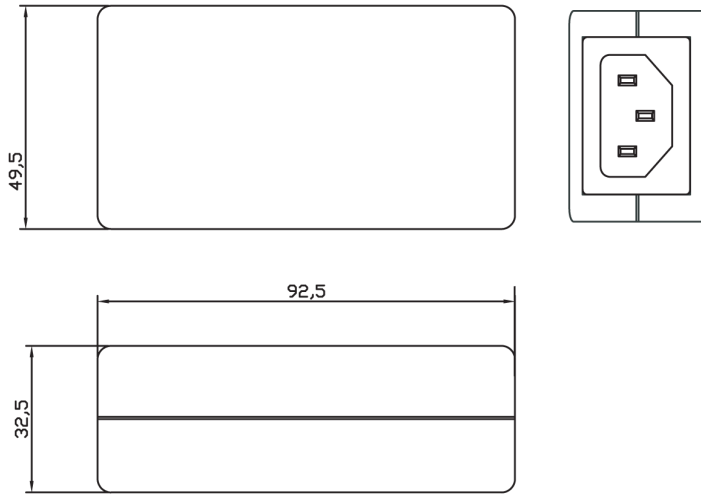
Model	Voltage DC [V]	Loading [A]	Max. Power [W]	Ripple / Noise [mV] p-p	Connector [mm]
SYS1588-2005-T3	5.1	0~4	20.4	120	2.1x5.5x11
SYS1588-2709-T3	9	0~3	27	120	2.1x5.5x11
SYS1588-3012-T3	12	0~2.5	30	200	2.1x5.5x11
SYS1588-3015-T3	15	0~2.0	30	200	2.1x5.5x11
SYS1588-3018-T3	18	0~1.66	30	240	2.1x5.5x11
SYS1588-3024-T3	24	0~1.25	30	240	2.1x5.5x11
SYS1588-3048-T3	48	0~0.63	30	400	2.1x5.5x11

Features:

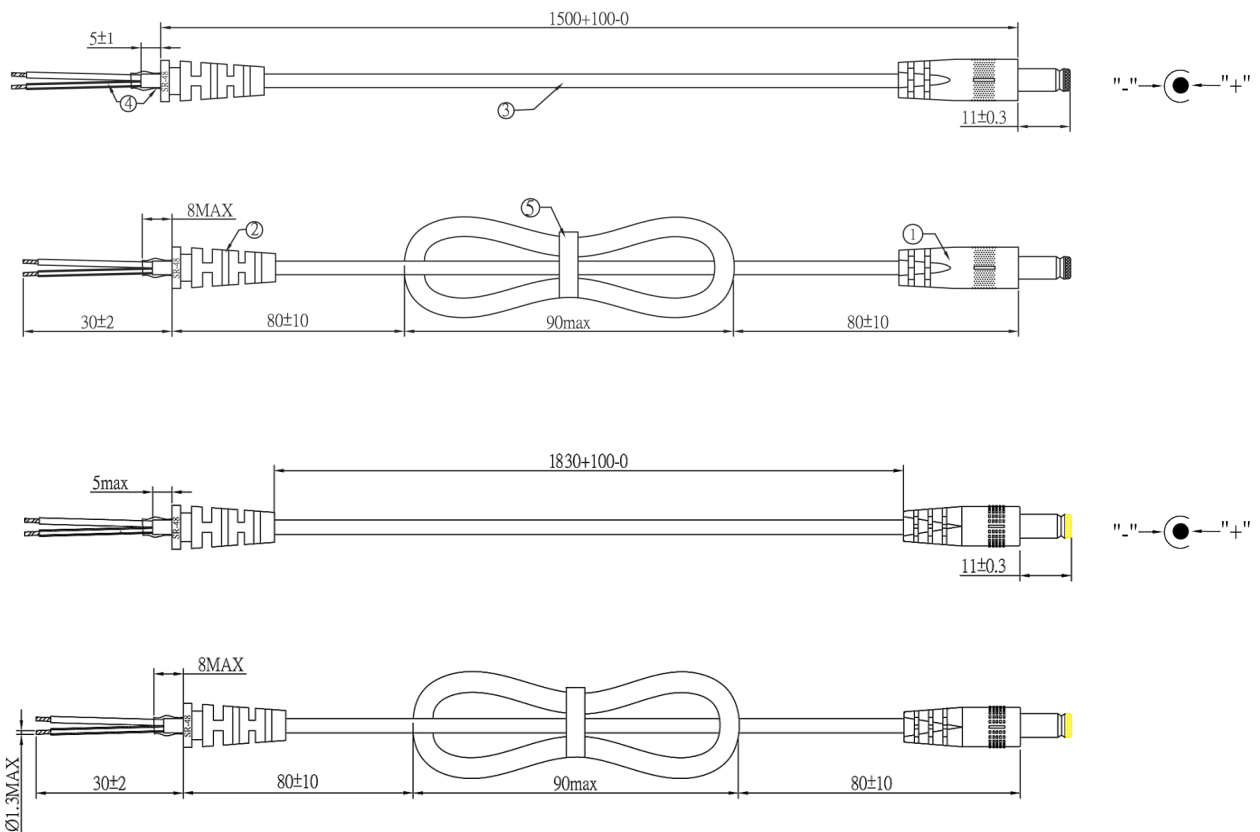
Available in inlet version: C13 (T3)
 Output connector: standard: 2.1 x 5.5 x 11mm or customer requirement | Regulated Output With Low Ripple Noise | Safety Agency Requirements and EM/EMS Certified
 Private Label Marking Available | Modified and Custom Design Available | 2 Years Warranty

OUTPUT		CE	
Turn delay	5000 ms max@AC low line input@output full load	EMC	2014/30/EU
Hold up time	8ms min@AC nominal input@output full load	LVD	2014/35/EU EN 62368-1:2014+A11:2017
Efficiency (Normal)	>85%@115v/60HZ,230V/50HZ input & Full load	SAFETY	
Transient response (dv,tmax)	0.4V dv max At AC nominal input loading from 20%load to 80% load 16ms tmax Dynamic rise time 10 us max,duty 40ms max,Dynamic load step is slew rate of 0.5A/us	cTUVus FCC GS CE CB RCM SAA PSE EAC UKCA CCC	
Power out.Limit	30W	OTHERS	
Burn in limit	Full load 2 Hours	Dielectric Strength	I/P-O/P:3000VAC
Power consumption	0.1W max. At AC nominal input@output min load	M.T.B.F	500,000 Calculated Hours at 25°C, by Telcordia SR-332
INPUT		Cable Length	1500mm (5 feet) or 1830mm (6 feet) standard cable or as required
Voltage	(90~264)VAC	PLD (power line disturbance)	Line power surge Line voltage SAG-more info on request
Frequency	(47~63)hz	Cooling method	Natural Convection Cooling
Current	0.5A rms@AC low line input and DC output full load	Housing material	PC + ABS
Inrush Surge Current (cold start)	40/60A max@power supply cold start,ambient temperature 25°C @115Vac/230Vac nominal AC input	Temperature coefficient:	< ±0.5% / °C
leakage current	5mA maximum,At nominal AC input voltage and frequency.	ENVIRONMENT	
PROTECTION		Temperature	Operating: 0~40°C / Storage: -20~85°C
Over current/ Short protection	The power supply will be auto recovered when over current or short circuit faults remove (fold back). Is defined as any output impedance of less than 0.1Ω.The power supply will be auto recovered when short circuit faults remove	Humidity	Operating: 8%~90%RH / Storage: 5%~95% RH non condensing
Over Voltage	he power supply shall be self-recovering when the fault condition is removed.	WEIGHT	
Input protection	The switching adaptor use 2.0A fuse.	NW:	193g/pc
No Load protection	The power supply is provided with no load operation to prevent the power supply and system from damage.	GW:	214g/pc
Protection class	I, (ITU-T K.21 Surge 6KV on request)	PACKING	
		Box	50 pcs/1 box

Mechanical case specification:



Cable specification:



Country of Origin : China
 Operating Temperature : 0~40 [°C]
 Dimension : 99 x 50 x 33 [mm]
 Efficiency level (ErP) : VI





Approvals / Marks :



Specifications

Model	Voltage DC [V]	Loading [A]	Max. Power [W]	Ripple / Noise [mV] p-p	Connector [mm]
SYS1546-3612-T2	12	0~3.0	36	180	2.1x5.5x11
SYS1546-3615-T2	15	0~2.40	36	200	2.1x5.5x11
SYS1546-3618-T2	18	0~2.0	36	240	2.1x5.5x11
SYS1546-3619-T2	19	0~1.89	36	240	2.1x5.5x11
SYS1546-3624-T2	24	0~1.5	36	300	2.1x5.5x11

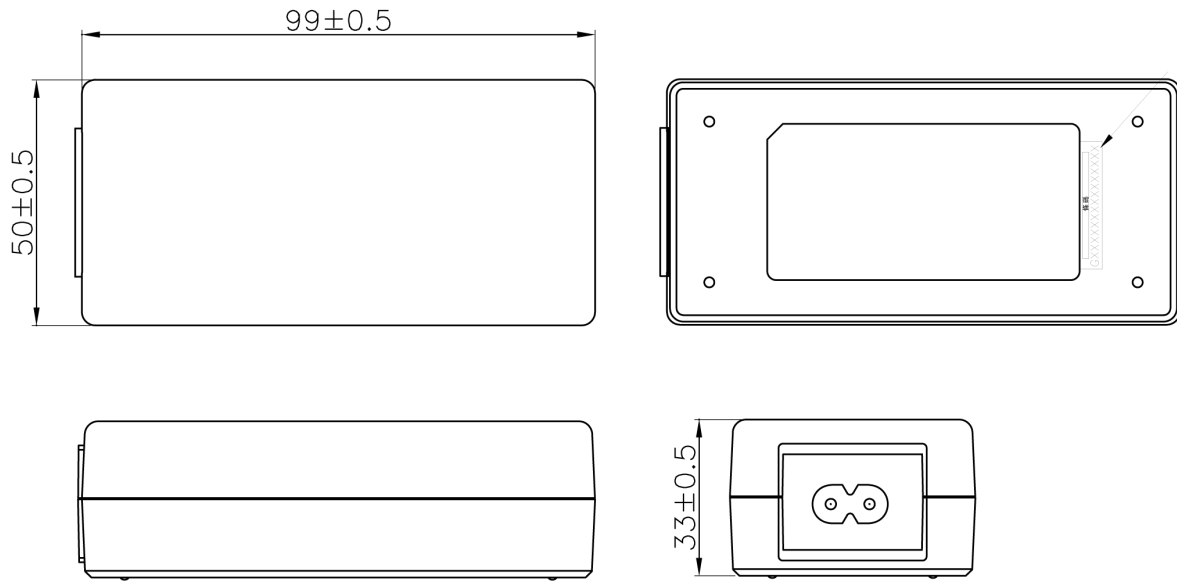
Features:

Available in 2 inlet versions: C7 (T2)  C13(T3) 
 Output connector: standard: 2.1 x 5.5 x 11mm or customer requirement | Regulated Output With Low Ripple Noise | Safety Agency Requirements and EMI/EMS Certified
 Private Label Marking Available | Modified and Custom Design Available | 2 Years Warranty

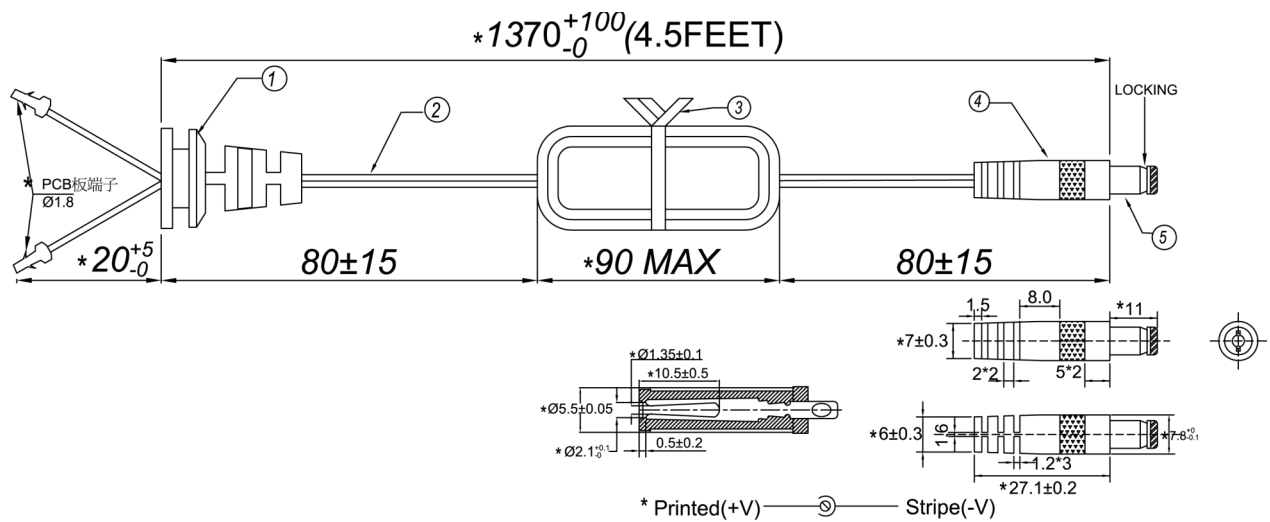
OUTPUT	
Turn delay	3000 ms max@AC low line input@output full load
Hold up time	5ms min@AC nominal input@output full load (>half cycle)
Efficiency (Normal)	Meet CEC,DOE,ERP,MEPS Level VI @115v/60HZ,230V/50HZ
Transient response (dv,tmax)	0.4V dv max At AC nominal input loading from 20%load to 80%load 16ms tmax Dynamic rise time 10us max,duty 40ms max,Dynamic load step is slew rate of 0.5A/us
Power out.Limit	Peak 40w
Burn in limit	Full load 2 Hours
Power consumption	Less than 0.075W ms max. At AC nominal input@output min load
INPUT	
Voltage	(90~264)VAC
Frequency	(47~63)hz
Current	1.5A rms@AC low line input and DC output full load
Inrush Surge Current (cold start)	40/60A max@power supply cold start,ambient temperature 25°C @115Vac/230Vac nominal AC input
leakage current	0.25mA Max
PROTECTION	
Over current/ Short protection	The power supply will self-protect any output to ground & auto recovery when abnormal circuit faults remove. An output short circuit is defined as any output impedance less than 0.1 ohms.
Over Voltage	The power supply will be auto recovered when faults remove
Input protection	F1:1A 250V Fuse The power supply shall be protected against power line surges and any abnormal condition
No Load protection	The power supply is provided with no load operation to prevent the power supply and system from damage.
Protection class	II, (ITU-T K.21 Surge 6kV on request)

CE	
EMC	2014/30/EU
LVD	2014/35/EU EN 62368-1:2014+A11:2017
SAFETY	
CB CE GS FCC cULus PSE SAA RCM UKCA	
OTHERS	
Dielectric Strength	Primary to Secondary:3000VAC 10mA/60S
M.T.B.F	500,000 Calculated Hours at 25°C, by Telcordia SR-332
Cable Length	1370mm (4.5 feet) standard cable or as required
PLD (power line disturbance)	Line power surge Line voltage SAG-more info on request
Cooling method	Natural Convection Cooling
Housing material	PC
Temperature coefficient:	< ±0.5% / °C
ENVIRONMENT	
Temperature	Operating: 0~40°C / Storage: -20~85°C
Humidity	Operating: 8%~90%RH / Storage: 5%~95% RH non condensing
WEIGHT	
NW: 166g/pc	
GW: 10.5kg/box	
PACKING	
PE plastic bag	60 pcs/1 box

Mechanical case specification:



Cable specification:



Country of Origin : China
 Operating Temperature : 0~40 [°C]
 Dimension : 99 x 50 x 33 [mm]
 Efficiency level (ErP) : VI





Approvals / Marks :



Specifications

Model	Voltage DC [V]	Loading [A]	Max. Power [W]	Ripple / Noise [mV] p-p	Connector [mm]
SYS1546-3612-T3	12	0~3.00	36	180	2.1x5.5x11
SYS1546-3615-T3	15	0~2.40	36	200	2.1x5.5x11
SYS1546-3618-T3	18	0~2.0	36	240	2.1x5.5x11
SYS1546-3619-T3	19	0~1.89	36	240	2.1x5.5x11
SYS1546-3624-T3	24	0~1.5	36	300	2.1x5.5x11

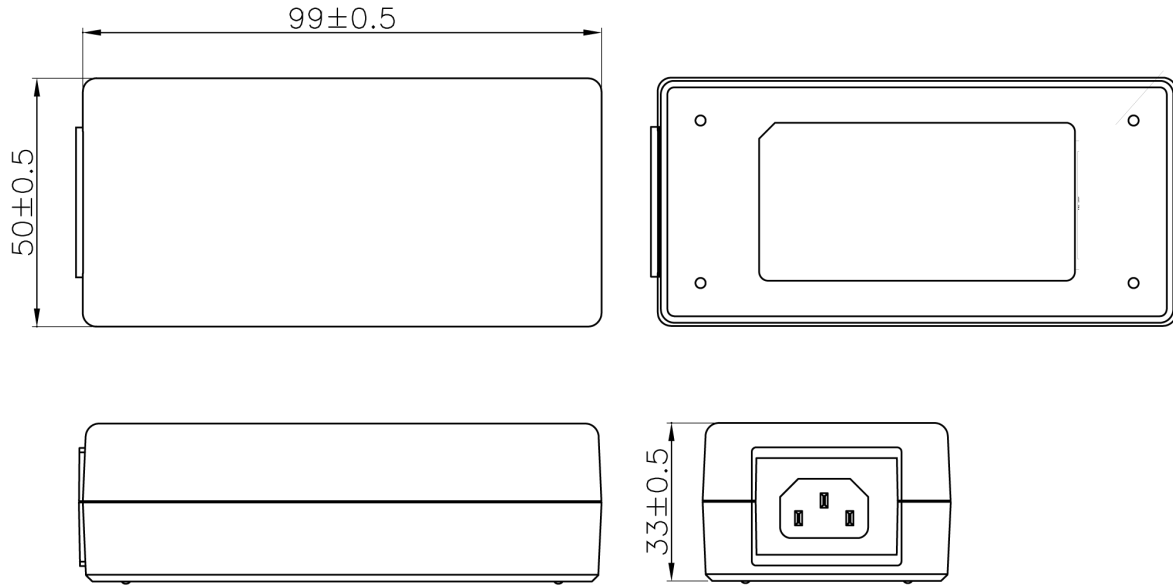
Features:

Available in 2 inlet versions: C7 (T2)  C13(T3) 
 Output connector: standard: 2.1 x 5.5 x 11mm or customer requirement | Regulated Output With Low Ripple Noise | Safety Agency Requirements and EM/EMS Certified
 Private Label Marking Available | Modified and Custom Design Available | 2 Years Warranty

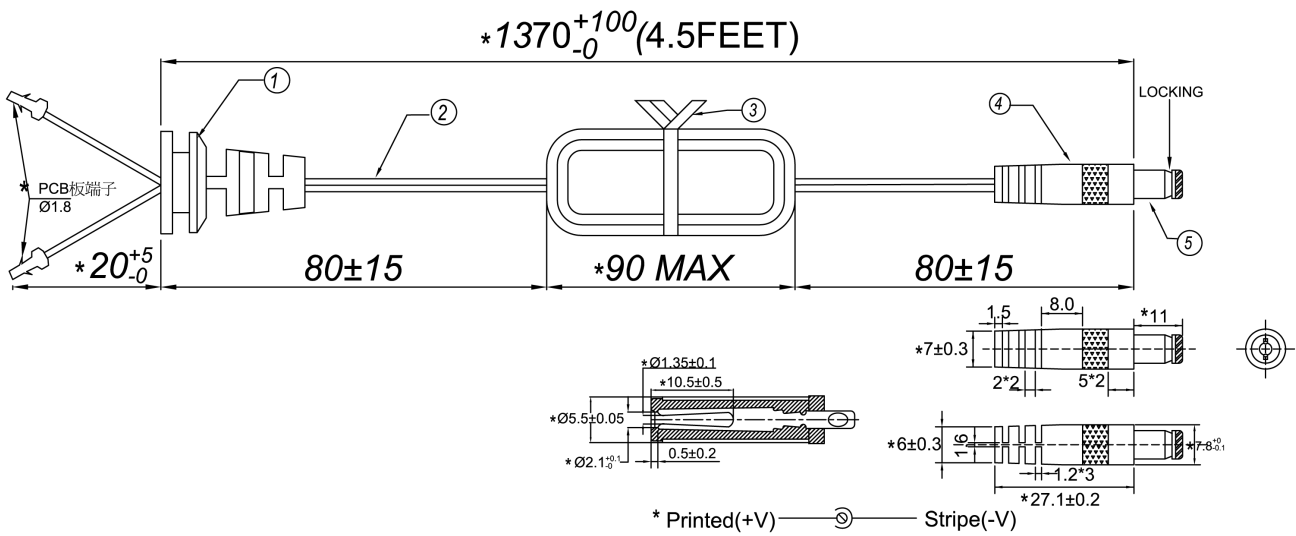
OUTPUT	
Turn delay	3000 ms max@AC low line input@output full load
Hold up time	5ms min@AC nominal input@output full load (>half cycle)
Efficiency (Normal)	Meet CEC,DOE,ERP,MEPS Level VI @115v/60HZ,230V/50HZ
Transient response (dv,tmax)	0.4V dv max At AC nominal input loading from 20%load to 80%load 16ms tmax Dynamic rise time 10us max,duty 40ms max,Dynamic load step is slew rate of 0.5A/us
Power out.Limit	Peak 40w
Burn in limit	Full load 2 Hours
Power consumption	Less than 0.075W ms max. At AC nominal input@output min load
INPUT	
Voltage	(90~264)VAC
Frequency	(47~63)hz
Current	1.5A rms@AC low line input and DC output full load
Inrush Surge Current (cold start)	40/60A max@power supply cold start,ambient temperature 25°C @115Vac/230Vac nominal AC input
leakage current	0.25mA Max
PROTECTION	
Over current/ Short protection	The power supply will self-protect any output to ground & auto recovery when abnormal circuit faults remove. An output short circuit is defined as any output impedance less than 0.1 ohms.
Over Voltage	The power supply will be auto recovered when faults remove
Input protection	F1:1A 250V Fuse The power supply shall be protected against power line surges and any abnormal condition
No Load protection	The power supply is provided with no load operation to prevent the power supply and system from damage.
Protection class	I, (ITU-T K.21 Surge 6KV on request)

CE	
EMC	2014/30/EU
LVD	2014/35/EU EN 62368-1:2014+A11:2017
SAFETY	
CB CE GS FCC cULus CCC BSMI PSE KC(3612only) SAA RCM NOM (3612only) UKCA BIS(3612/3615only) S-MARK	
OTHERS	
Dielectric Strength (Hi-pot)	Primary to Secondary:3000VAC 10mA/60S
M.T.B.F	500,000 Calculated Hours at 25°C, by Telcordia SR-332
Cable Length	1370mm (4.5 feet) standard cable or as required
PLD	Line power surge Line voltage SAG-more info on request
Cooling method	Natural Convection Cooling
Housing material	PC
Temperature coefficient:	< ±0.5% / °C
ENVIRONMENT	
Temperature	Operating: 0~40°C / Storage: -20~85°C
Humidity	Operating: 8%~90%RH / Storage: 5%~95% RH non condensing
WEIGHT	
NW: 170g/pc	
GW: 10.5kg/box	
PACKING	
PE plastic bag	60 pcs/1 box

Mechanical case specification:



Cable specification:



Country of Origin : China
 Operating Temperature : 0~40 [°C]
 Dimension : 92 x 50 x 32 [mm]
 Efficiency level (ErP) : VI



Approvals / Marks :



Specifications

Model	Voltage DC [V]	Loading [A]	Max. Power [W]	Ripple / Noise [mV] p-p	Connector [mm]
SYS1588-3005-T2	5	0~6	30	120	2.1x5.5x11
SYS1588-3609-T2	9	0~4	36	120	2.1x5.5x11
SYS1588-4012-T2	12	0~3.3	40	200	2.1x5.5x11
SYS1588-4015-T2	15	0~2.6	40	200	2.1x5.5x11
SYS1588-4018-T2	18	0~2.2	40	240	2.1x5.5x11
SYS1588-4024-T2	24	0~1.6	40	240	2.1x5.5x11
SYS1588-4048-T2	48	0~0.8	40	400	2.1x5.5x11

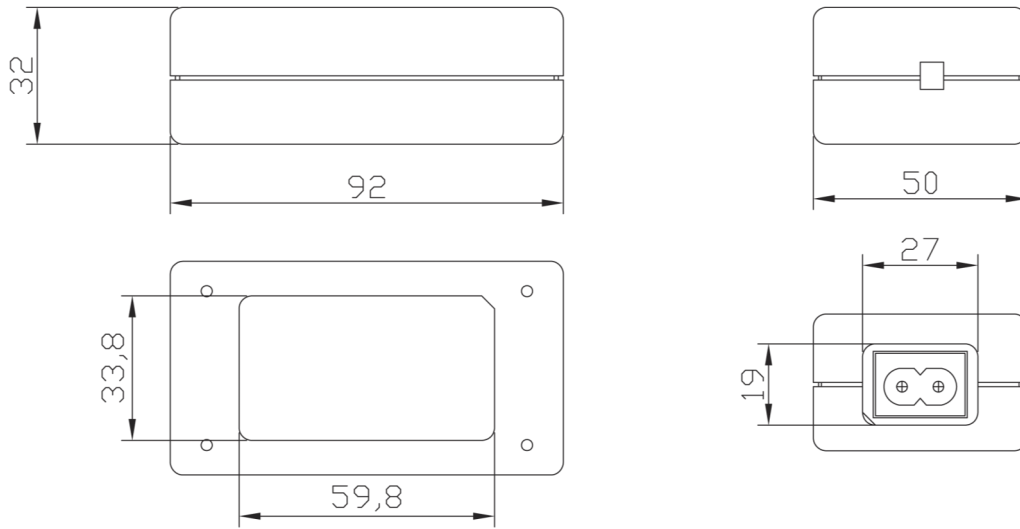
Features:

Available in inlet version: C7 (T2)
 Output connector: standard: 2.1 x 5.5 x 11mm or customer requirement | Regulated Output With Low Ripple Noise | Safety Agency Requirements and EMV/EMS Certified
 Private Label Marking Available | Modified and Custom Design Available | 2 Years Warranty

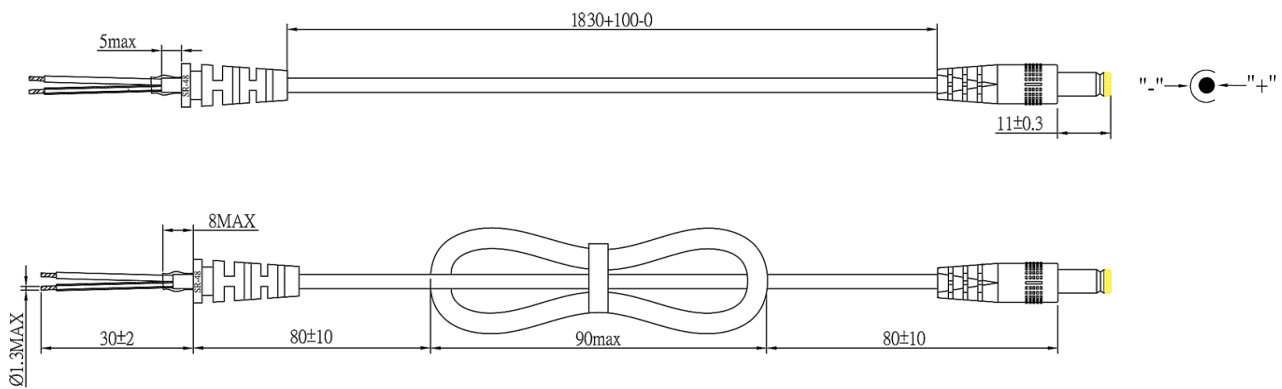
OUTPUT	
Turn delay	5000 ms max@AC low line input@output full load
Hold up time	8ms min@AC nominal input@output full load
Efficiency (Normal)	>87%@115v/60HZ,230V/50HZ input & Full load
Transient response (dv,tmax)	0.4V dv max At AC nominal input loading from 20%load to 80% 16ms tmax Dynamic rise time 10 us max,duty 40ms max,Dynamic load step is slew rate of 0.5A/us
Power out.Limit	40W
Burn in limit	Full load 2 Hours
Power consumption	0.1W max. At AC nominal input@output min load
INPUT	
Voltage	(90~264)VAC
Frequency	(47~63)hz
Current	0.5A rms@AC low line input and DC output full load
Inrush Surge Current (cold start)	40/60A max@power supply cold start,ambient temperature 25°C @115Vac/230Vac nominal AC input
leakage current	5mA maximum,At nominal AC input voltage and frequency.
PROTECTION	
Over current/ Short protection	The power supply will be auto recovered when over current or short circuit faults remove (fold back). Is defined as any output impedance of less than 0.1Ω.The power supply will be auto
Over Voltage	The power supply shall be self-recovering when the fault condi-
Input protection	The switching adaptor use 2.0A fuse.
No Load protection	The power supply is provided with no load operation to prevent
Protection class	II, (ITU-T K.21 Surge 6KV on request)

CE	
EMC	2014/30/EU
LVD	2014/35/EU EN 62368-1:2014+A11:2017
SAFETY	
cTUVus FCC GS CE CB RCM SAA PSE EAC UKCA	
OTHERS	
Dielectric Strength (Hi-pot)	I/P-O/P:3000VAC
M.T.B.F	500,000 Calculated Hours at 25°C, by Telcordia SR-332
Cable Length	1830mm (6 feet) standard cable or as required
PLD (power line disturbance)	Line power surge Line voltage SAG-more info on request
Cooling method	Natural Convection Cooling
Housing material	PC + ABS
Temperature coefficient:	< ±0.5% / °C
ENVIRONMENT	
Temperature	Operating: 0~40°C / Storage: -20~85°C
Humidity	Operating: 8%~90%RH / Storage: 5%~95% RH non condensing
WEIGHT	
NW: 187g/pc	
GW: 208g/pc	
PACKING	
Box	50 pcs/1 box

Mechanical case specification:



Cable specification:



Country of Origin : China
 Operating Temperature : 0~40 [°C]
 Dimension : 92 x 50 x 32 [mm]
 Efficiency level (ErP) : VI



Approvals / Marks :



Specifications

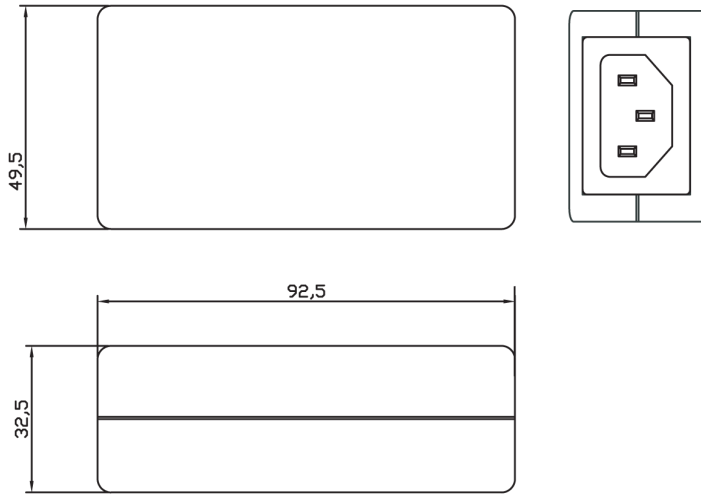
Model	Voltage DC [V]	Loading [A]	Max. Power [W]	Ripple / Noise [mV] p-p	Connector [mm]
SYS1588-3005-T3	5	0~6	30	120	2.1x5.5x11
SYS1588-3609-T3	9	0~4	36	120	2.1x5.5x11
SYS1588-4012-T3	12	0~3.3	40	200	2.1x5.5x11
SYS1588-4015-T3	15	0~2.6	40	200	2.1x5.5x11
SYS1588-4018-T3	18	0~2.2	40	240	2.1x5.5x11
SYS1588-4024-T3	24	0~1.6	40	240	2.1x5.5x11
SYS1588-4048-T3	48	0~0.8	40	400	2.1x5.5x11

Features:

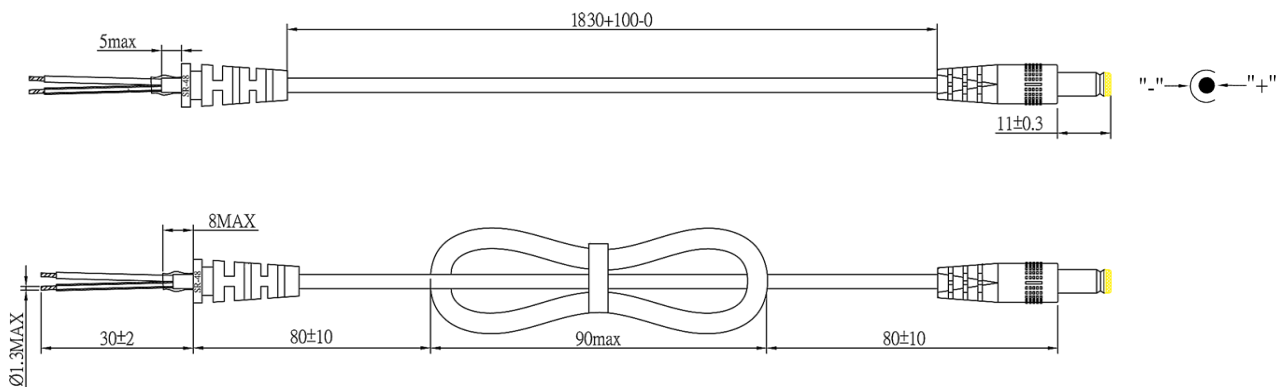
Available in inlet version: C13 (T3)
 Output connector: standard: 2.1 x 5.5 x 11mm or customer requirement | Regulated Output With Low Ripple Noise | Safety Agency Requirements and EMI/EMS Certified
 Private Label Marking Available | Modified and Custom Design Available | 2 Years Warranty

OUTPUT		CE	
Turn delay	5000 ms max@AC low line input@output full load	EMC	2014/30/EU
Hold up time	8ms min@AC nominal input@output full load	LVD	2014/35/EU EN 62368-1:2014+A11:2017
Efficiency (Normal)	>87%@115v/60HZ,230V/50HZ input & Full load	SAFETY	
Transient response (dv,tmax)	0.4V dv max At AC nominal input loading from 20%load to 80% load 16ms tmax Dynamic rise time 10 us max,duty 40ms max,Dynamic load step is slew rate of 0.5A/us	cTUVus FCC GS CE CB RCM SAA PSE EAC UKCA CCC	
Power out.Limit	40W	OTHERS	
Burn in limit	Full load 2 Hours	Dielectric Strength	I/P-O/P:3000VAC
Power consumption	0.1W max. At AC nominal input@output min load	M.T.B.F	500,000 Calculated Hours at 25°C, by Telcordia SR-332
INPUT		Cable Length	1830mm (6 feet) standard cable or as required
Voltage	(90~264)VAC	PLD (power line disturbance)	Line power surge Line voltage SAG-more info on request
Frequency	(47~63)hz	Cooling method	Natural Convection Cooling
Current	0.5A rms@AC low line input and DC output full load	Housing material	PC + ABS
Inrush Surge Current	40/60A max@power supply cold start,ambient temperature 25°C	Temperature coefficient:	< ±0.5% / °C
leakage current	5mA maximum,At nominal AC input voltage and frequency.	ENVIRONMENT	
PROTECTION		Temperature	Operating: 0~40°C / Storage: -20~85°C
Over current/ Short protection	The power supply will be auto recovered when over current or short circuit faults remove (fold back). Is defined as any output impedance of less than 0.1Ω.The power supply will be auto recovered when short circuit faults remove	Humidity	Operating: 8%~90%RH / Storage: 5%~95% RH non condensing
Over Voltage	The power supply shall be self-recovering when the fault condition is removed.	WEIGHT	
Input protection	The switching adaptor use 2.0A fuse.	NW:	193g/pc
No Load protection	The power supply is provided with no load operation to prevent the power supply and system from damage.	GW:	214g/pc
Protection class	I, (ITU-T K.21 Surge 6KV on request)	PACKING	
		Box	50 pcs/1 box

Mechanical case specification:



Cable specification:



Country of Origin : China
 Operating Temperature : 0~40 [°C]
 Dimension : 115 x 55 x 35 [mm]
 Efficiency level (ErP) : VI





Approvals / Marks :



Specifications

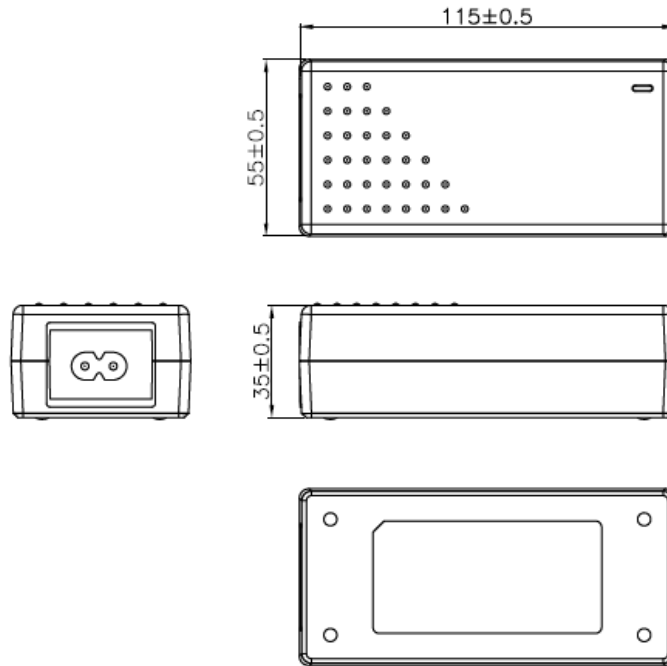
Model	Voltage DC [V]	Loading [A]	Max. Power [W]	Ripple / Noise [mV] p-p	Connector [mm]
SYS1548-5012-T2	12	0~4.17	50	200	2.1x5.5x11
SYS1548-5024-T2	24	0~2.08	50	240	2.1x5.5x11
SYS1548-6512-T2	12	0~5.42	65	180	2.1x5.5x11
SYS1548-6512-T2	12	0~5.42	65	180	2.5x5.5x11
SYS1548-6515-T2	15	0~4.33	65	200	2.1x5.5x11
SYS1548-6518-T2	18	0~3.61	65	240	2.1x5.5x11
SYS1548-6519-T2	19	0~3.42	65	240	2.1x5.5x11
SYS1548-6524-T2	24	0~2.71	65	300	2.1x5.5x11
SYS1548-6536-T2	36	0~1.80	65	360	2.1x5.5x11

Features:

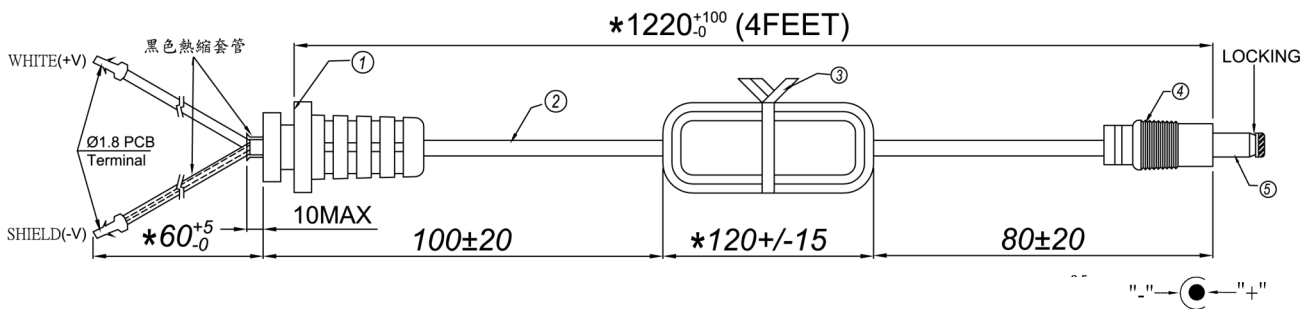
Available in 2 inlet versions: C7 (T2)  C13(T3) 
 Output connector: standard: 2.1 x 5.5 x 11mm or customer requirement | Regulated Output With Low Ripple Noise | Safety Agency Requirements and EMI/EMS Certified
 Private Label Marking Available | Modified and Custom Design Available | 2 Years Warranty

OUTPUT		CE	
Turn delay	3000 ms max@AC low line input@output full load	EMC	2014/30/EU
Hold up time	5ms min@AC nominal input@output full load (>half cycle)	LVD	2014/35/EU EN 62368-1:2014+A11:2017
Efficiency (Normal)	Meet CEC,DOE,ERP,MEPS Level VI@115v/60HZ,230V/50HZ	SAFETY	
Transient response (dv,tmax)	0.4V dv max At AC nominal input loading from 20%load to 80% load	CB CE GS FCC cULus SAA RCM UKCA	
	16ms tmax Dynamic rise time 10 us max,duty 40ms max,Dynamic load step is slew rate of 0.5A/us	OTHERS	
Power out.Limit	Peak 75w	Dielectric Strength (Hi-pot)	Primary to Secondary:3000VAC 10mA/60S
Burn in limit	Full load 2 Hours	M.T.B.F	500,000 Calculated Hours at 25°C, by Telcordia SR-332
Power consumption	Less than 0.075W ms max. At AC nominal input@output min load	Cable Length	1500mm (5 feet) standard cable or as required
INPUT		PLD (power line disturbance)	Line power surge Line voltage SAG-more info on request
Voltage	(90~264)VAC	Cooling method	Natural Convection Cooling
Frequency	(47~63)hz	Housing material	PC or PPO
Current	2.0A rms@AC low line input and DC output full load	Temperature coefficient:	< ±0.5% / °C
Inrush Surge Current (cold start)	40/80A max@power supply cold start,ambient temperature 25°C @115Vac/230Vac nominal AC input	ENVIRONMENT	
leakage current	T2:0.25mA max T3:3.0mA max	Temperature	Operating: 0~40°C / Storage: -20~85°C
PROTECTION		Humidity	Operating: 8%~90%RH / Storage: 5%~95% RH non condensing
Over current/ Short protection	The power supply will self-protect any output to ground & auto recovery when abnormal circuit faults remove. An output short circuit is defined as any output impedance less than 0.1 ohms.	WEIGHT	
Over Voltage	The power supply will be auto recovered when faults remove	NW:	290g/pc
Input protection	F1:3.15A 250V Fuse The power supply shall be protected against power line surges and any abnormal condition	GW:	16kg/box
No Load protection	The power supply is provided with no load operation to prevent the power supply and system from damage.	PACKING	
Protection class	II, (ITU-T K.21 Surge 6KV on request)	PE plastic bag	60 pcs/1 box 48x44x23 cm

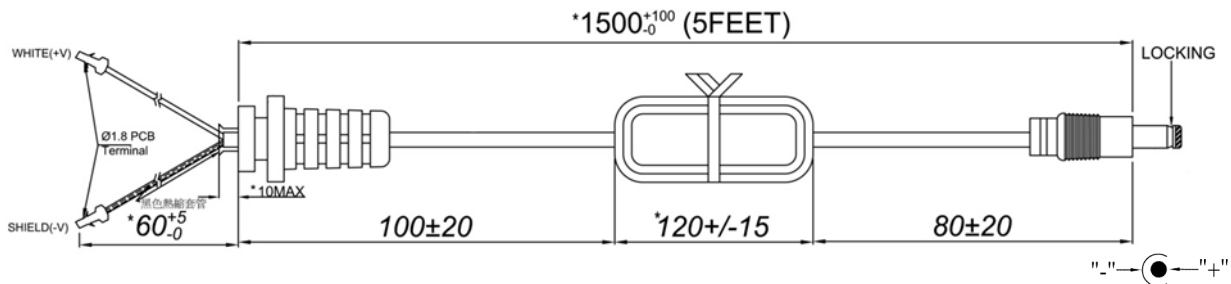
Mechanical case specification:



Cable specification:



FIX cable type (1185#16 for 12V model, 1185#20 for 24V model)



Country of Origin : China
 Operating Temperature : 0~40 [°C]
 Dimension : 115 x 55 x 35 [mm]
 Efficiency level (ErP) : VI





Approvals / Marks :



Specifications

Model	Voltage DC [V]	Loading [A]	Max. Power [W]	Ripple / Noise [mV] p-p	Connector [mm]
SYS1548-5012-T3	12	0~4.17	50	200	2.1x5.5x11
SYS1548-5024-T3	24	0~2.08	50	240	2.1x5.5x11
SYS1548-6512-T3	12	0~5.42	65	180	2.1x5.5x11
SYS1548-6512-T3	12	0~5.42	65	180	2.5x5.5x11
SYS1548-6515-T3	15	0~4.33	65	200	2.1x5.5x11
SYS1548-6518-T3	18	0~3.61	65	240	2.1x5.5x11
SYS1548-6519-T3	19	0~3.42	65	240	2.1x5.5x11
SYS1548-6524-T3	24	0~2.71	65	300	2.1x5.5x11
SYS1548-6536-T3	36	0~1.80	65	360	2.1x5.5x11

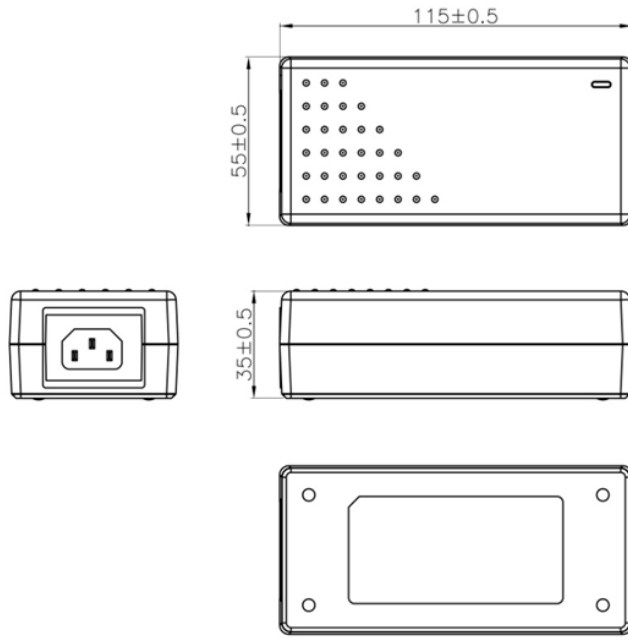
Features:

Available in 2 inlet versions: C7 (T2)  C13(T3) 
 Output connector: standard: 2.1 x 5.5 x 11mm or customer requirement | Regulated Output With Low Ripple Noise | Safety Agency Requirements and EMI/EMS Certified
 Private Label Marking Available | Modified and Custom Design Available | 2 Years Warranty

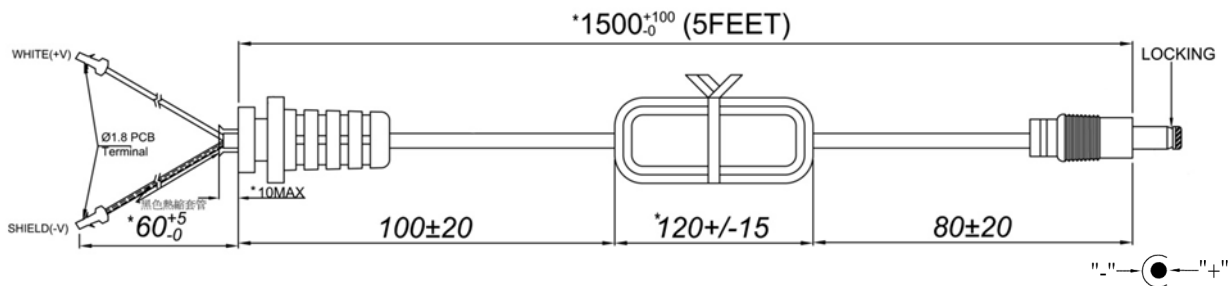
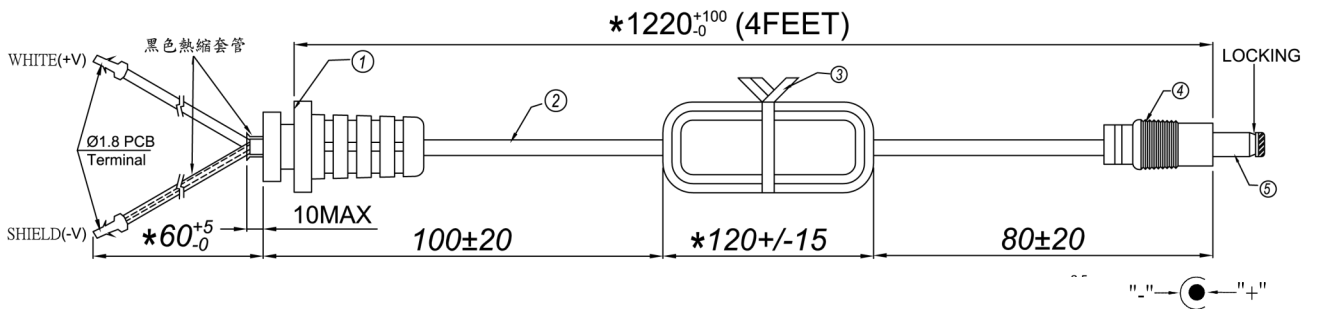
OUTPUT	
Turn delay	3000 ms max@AC low line input@output full load
Hold up time	5ms min@AC nominal input@output full load (>half cycle)
Efficiency (Normal)	Meet CEC,DOE,ERP,MEPS Level VI@115v/60HZ,230V/50HZ
Transient response (dv,tmax)	0.4V dv max At AC nominal input loading from 20%load to 80%load 16ms tmax Dynamic rise time 10 us max,duty 40ms max,Dynamic load step is slew rate of 0.5A/us
Power out.Limit	Peak 75w
Burn in limit	Full load 2 Hours
Power consumption	Less than 0.075W ms max. At AC nominal input@output min load
INPUT	
Voltage	(90~264)VAC
Frequency	(47~63)hz
Current	2.0A rms@AC low line input and DC output full load
Inrush Surge Current (cold start)	40/80A max@power supply cold start,ambient temperature 25°C @115Vac/230Vac nominal AC input
leakage current	T2:0.25mA max T3:3.0mA max
PROTECTION	
Over current/ Short protection	The power supply will self-protect any output to ground & auto recovery when abnormal circuit faults remove. An output short circuit is defined as any output impedance less than 0.1 ohms.
Over Voltage	The power supply will be auto recovered when faults remove
Input protection	F1:3.15A 250V Fuse The power supply shall be protected against power line surges and any abnormal condition
No Load protection	The power supply is provided with no load operation to prevent the power supply and system from damage.
Protection class	I, (ITU-T K.21 Surge 6KV on request)

CE	
EMC	2014/30/EU
LVD	2014/35/EU EN 62368-1:2014+A11:2017
SAFETY	
CB CE GS FCC cULus CCC BSMI PSE KC(only12V) SAA RCM NOM (only5012/6012) UKCA EAC(only5012) BIS(only6512/6012/5012) S-MARK STCOA	
OTHERS	
Dielectric Strength (Hi-pot)	Primary to Secondary:3000VAC 10mA/60S
M.T.B.F	500,000 Calculated Hours at 25°C, by Telcordia SR-332
Cable Length	1500mm (5 feet) standard cable or as required 1200mm (4 feet) cable for SYS1548-5012-T3
PLD (power line disturbance)	Line power surge Line voltage SAG-more info on request
Cooling method	Natural Convection Cooling
Housing material	PC or PPO
Temperature coefficient:	< ±0.5% / °C
ENVIRONMENT	
Temperature	Operating: 0~40°C / Storage: -20~85°C
Humidity	Operating: 8%~90%RH / Storage: 5%~95% RH non condens-ing
WEIGHT	
NW:	300g/pc
GW:	16kg/box
PACKING	
PE plastic bag	60 pcs/1 box 48x44x23 cm

Mechanical case



Cable specification:



Country of Origin : China
 Operating Temperature : 0~40 [°C]
 Dimension : 115 x 55 x 35 [mm]
 Efficiency level (ErP) : VI



Approvals / Marks :



Specifications

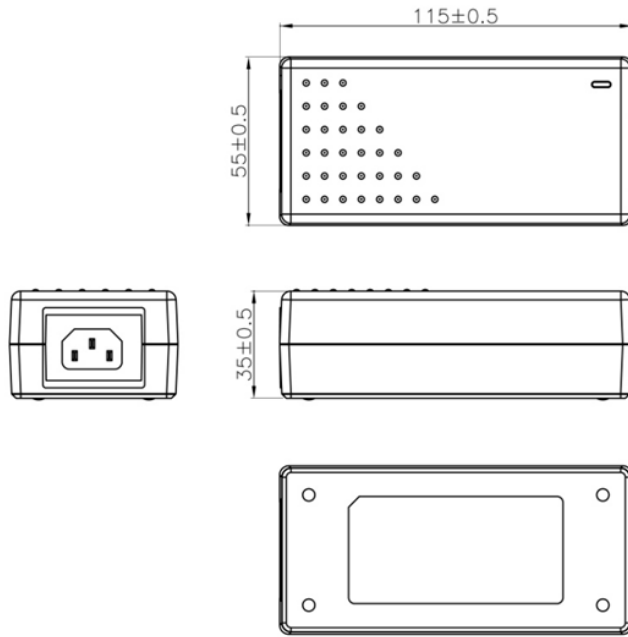
Model	Voltage DC [V]	Loading [A]	Max. Power [W]	Ripple / Noise [mV] p-p	Connector [mm]
SYS1649-6548-T3	48	0~1.35	65	480	2.1x5.5x11

Features:

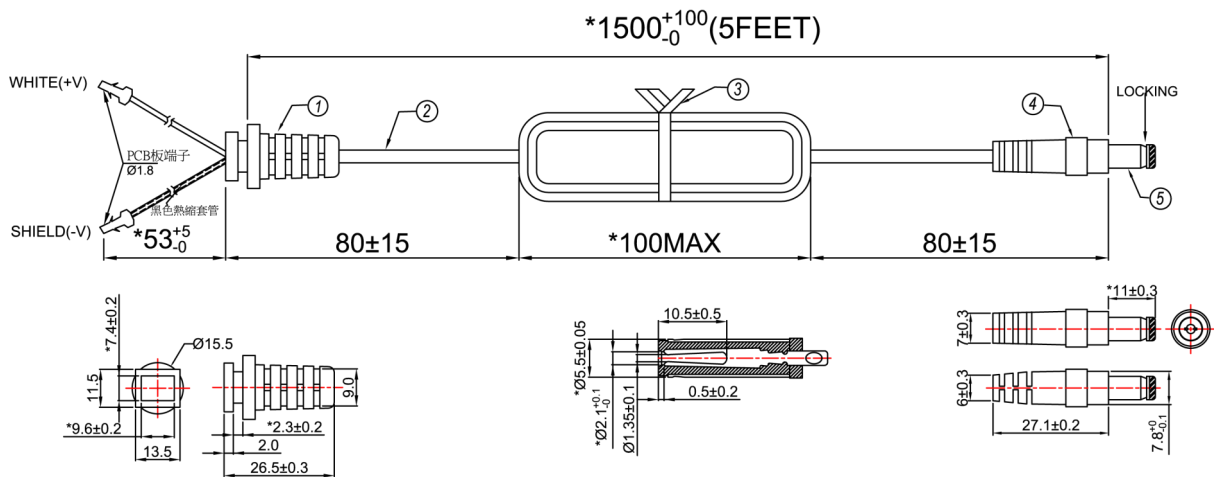
Output connector: standard: 2.1 x 5.5 x 11mm or customer requirement | Regulated Output With Low Ripple Noise | Safety Agency Requirements and EMI/EMS Certified
 Private Label Marking Available | Modified and Custom Design Available | 2 Years Warranty

OUTPUT		CE	
Turn delay	3000 ms max@3S max on the condition that input volotage 230V, full load	EMC	2014/30/EU
Hold up time	5ms min@AC nominal input@output full load	LVD	2014/35/EU EN 62368-1:2014+A11:2017
Efficiency (Normal)	Meet CEC,DOE,ERP,MEPS Level VI@115v/60HZ,230V/50HZ	SAFETY	
Transient response (dv,tmax)	VO ±10% max At AC nominal input loading from 20%load to 80%load Dynamic rise time 10 us max,duty 40ms max,Dynamic load step is slew rate of 0.5A/us	CB CE FCC UL CCC BSMI SAA RCM UKCA	
Burn in limit	Full load 2 Hours	OTHERS	
Power consumption	Less than 0.21W ms max. At AC nominal input@output min load	Dielectric Strength (Hi-pot)	Primary to Secondary:4000VAC 10mA/60S
INPUT		M.T.B.F	500,000 Calculated Hours at 25°C, by Telcordia SR-332
Voltage	(90~264)VAC	Cable Length	1500mm (5 feet) standard cable or as required
Frequency	(47~63)hz	PLD (power line disturbance)	Line power surge Line voltage SAG-more info on request
Current	1.5A rms@AC low line input and DC output full load	Cooling method	Natural Convection Cooling
Inrush Surge Current (cold start)	60A max@power supply cold start,ambient temperature 25°C @115Vac/230Vac nominal AC input	Housing material	PC or PPO
leakage current	3.5mA max	Temperature coefficient:	< ±0.5% / °C
PROTECTION		ENVIRONMENT	
Over current/ Short protection	The power supply will self-protect any output to ground & auto recovery when abnormal circuit faults remove. An output short circuit is defined as any output impedance less than 0.1 ohms.	Temperature	Operating: 0~40°C / Storage: -20~85°C
Over Voltage	The power supply will be auto recovered when faults remove	Humidity	Operating: 8%-90%RH / Storage: 5%-95% RH non condens-ing
Input protection	F1:3.15A 250V Fuse The power supply shall be protected against power line surges and any abnormal condition	WEIGHT	
No Load protection	The power supply is provided with no load operation to prevent the power supply and system from damage.	NW: xxxg/pc	
Protection class	I, (ITU-T K.21 Surge 6KV on request)	GW: xxkg/box	
		PACKING	
		PE plastic bag	60 pcs/1 box 46x41x20 cm

Mechanical case



Cable specification:



Country of Origin : China
 Operating Temperature : 0~40 [°C]
 Dimension : 61 × 61 × 29 [mm]

Efficiency level (ErP) : VI



Approvals / Marks :



Specifications

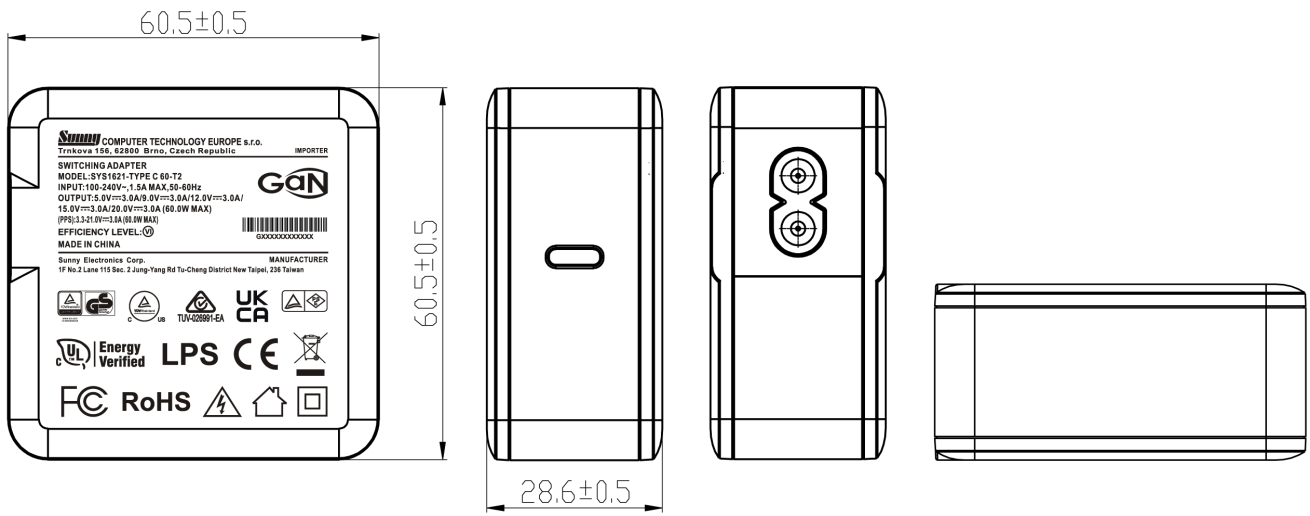
Model	Voltage DC/Loading [V/A]	Max. Power [W]	Ripple / Noise [mV] p-p	Connector
SYS1621-TYPE C 60-T2	5V/3A, 9V/3A, 12V/3A, 15V/3A, 20V/3A	60	250	USB-C

Features:

GaN technology Power Supply
 Auto-detect the charging voltage and current for Type C and ios devices.
 Meet PD3.0 requirement rules
 The Programmable Power Supply (PPS) output is 3.3-21V / 3.0A max (60W max)
 USB-C desktop charger T2
 Output connector: Regulated Output With Low Ripple Noise | Safety Agency Requirements and EMI/EMS Certified
 Private Label Marking Available | 2 Years Warranty

INPUT OUTPUT	Voltage	90-264VAC
	Current	1.5A rms max At AC low line input and DC output full load
	Inrush Current	0
	Power consumption	0.21W max. with output no load at 115VAC/230VAC input
	Efficiency	Meet ERP level VI
	Hold up time	0
	Turn delay	5000mS max. At AC low line input @ output full load.
	Ripple noise	250mV
	Burn-in	2 Hour Full Load
PROTECTION	Over current Short protection	Fold back Auto recovery when abnormal circuit faults remove.
	Over Voltage	Auto recovery
	Input protection	3.15A/250V Fuse The power supply shall be protected against power line surges and any abnormal condition
	Protection class	Class II
SAFETY	CE EMC	2014/30/EU
	CE LVD	2014/35/EU EN IEC 62368-1:2020+A11:2020
	Safety approvals	GS cTUVus FCC CE CB SAA+RCM PSE UKCA
	Dielectric Strength (Hi-pot)	IEC 320 2pin primary to secondary 4000Vdc 10mA 1min
	Leakage current	0.25 mA max.
ENVIRONMENTAL	Temperature	Operating: -5~35°C / Storage: -20~85°C
	Humidity	Operating: 8%~90%RH / Storage:5%~95% RH
	Cooling	Natural Convection Cooling
OTHER	MTBF	MTBF shall be least 50,000 hours at 25°C (MIL-HDBK-217F)
	Weight	0
	Dimension	61x61x29 mm
	Packing	100 pcs 1 box

Mechanical case specification:



Country of Origin : China

Efficiency level (ErP) : VI



Approvals / Marks :


Specifications

Model	Voltage DC [V]	Loading [A]	Max. Power [W]
ATS 065T-P480-T3	48	0~1.36	65

Features:

Compliant to DoE 2016 (Level VI) | ErP Stage 2, NRCan & GEMS Level VI | No Load Power Consumption < 0.1 W | Regulated Output with Low Ripple Noise | 1 Year Warranty

INPUT

Voltage	AC 100 V – 240 V
Frequency	50 Hz - 60 Hz
Current	1.40 A max.
Protection	Internal Primary Current Fuse, Inrush Limiting

OUTPUT

Load Regulation	± 5 % (typical)
Ripple	1 % – 2 % V p-p max. for output voltage at full load
Transient Response	0.5 ms for 50 % load change typical
Leakage Current	0.25 mA max.
Protection	Short circuit Protection • Over Voltage Protection • Over Current Protection

OTHERS

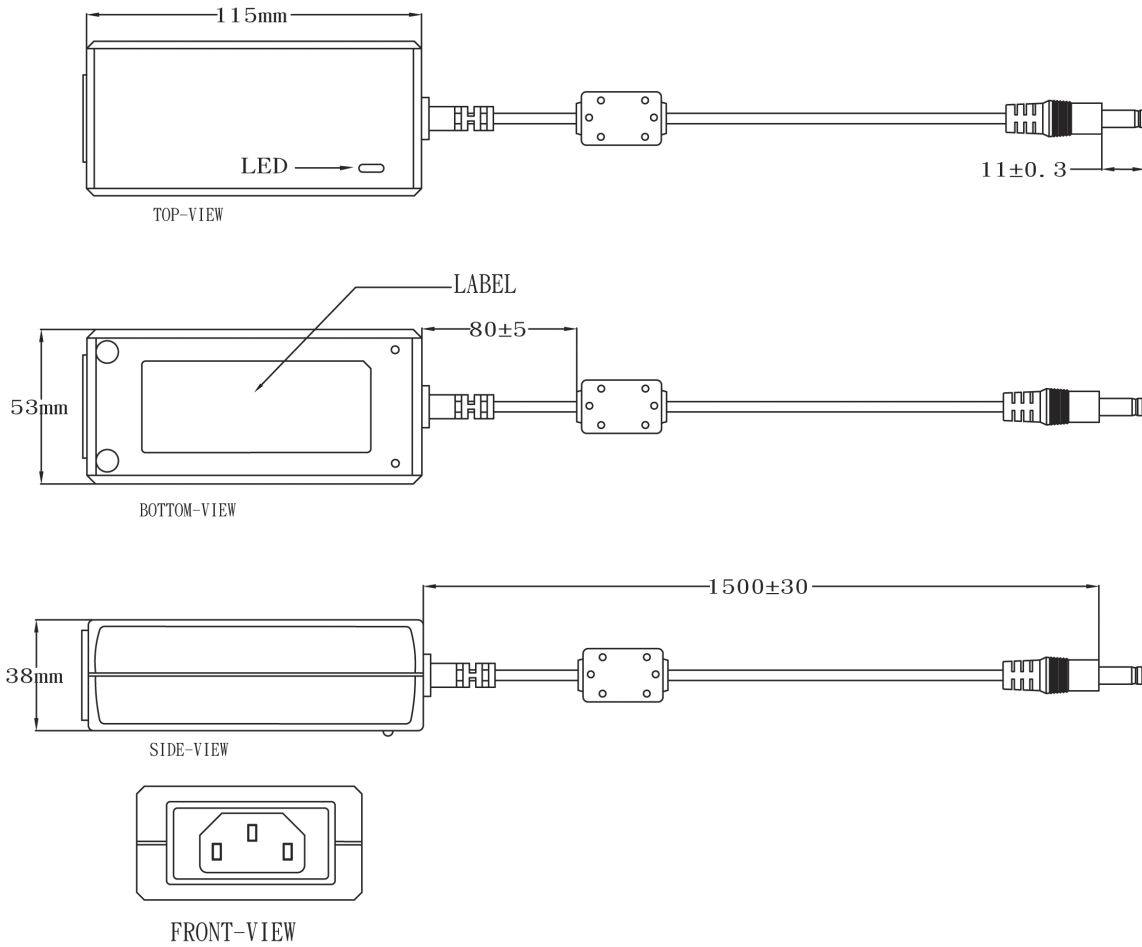
Cooling	Convection
Efficiency	DoE Level VI • Energy Star • ErP Stage 2 • NRCan & GEMS Level VI Certified
Holdup Time	10 ms at full load
Dielectric Withstand	AC 3000 V Primary – Secondary
MTBF	300,000 calculated hours at 25 °C by telcordia SR-332
Output Cable	UL 1185 20 AWG / 18 AWG / 16 AWG, Ferrit Core, Length: 150 cm
Output Connector Type	Standard: 5.5 x 2.1 x 11 mm

ENVIRONMENT

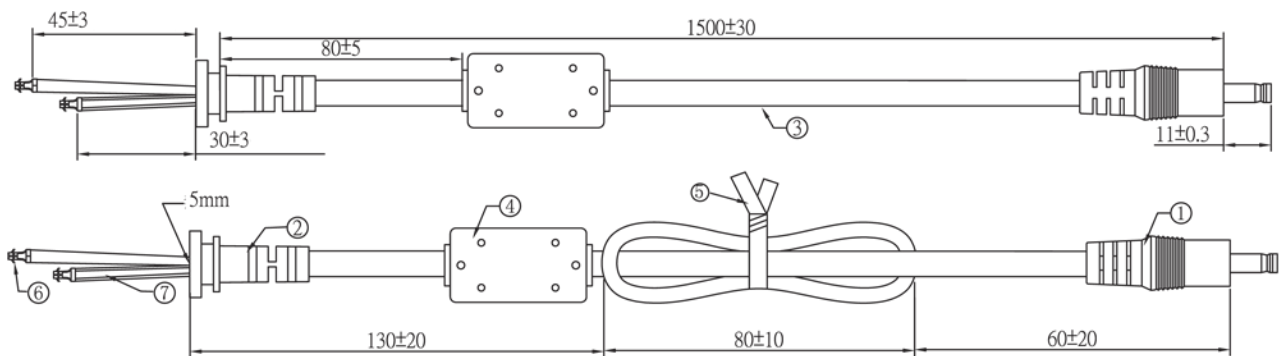
Temperature	Operating: 0 °C – 40 °C / Storage: -20 °C – 80 °C
Humidity	Operating: 20 % RH – 80 % RH / Storage: 10 % RH – 90 % RH

Safety	EN 62368-1:2014+A11:2017 • CE • RCM • PSE • BSMI • UKCA
Case Dimensions	115 mm × 53 mm × 38 mm
Weight	310 g

Mechanical case specification:



Cable specification:



Country of Origin : China
 Operating Temperature : 0~40 [°C]
 Dimension : 139 x 61 x 33 [mm]
 Efficiency level (ErP) : VI



Approvals / Marks :



Specifications

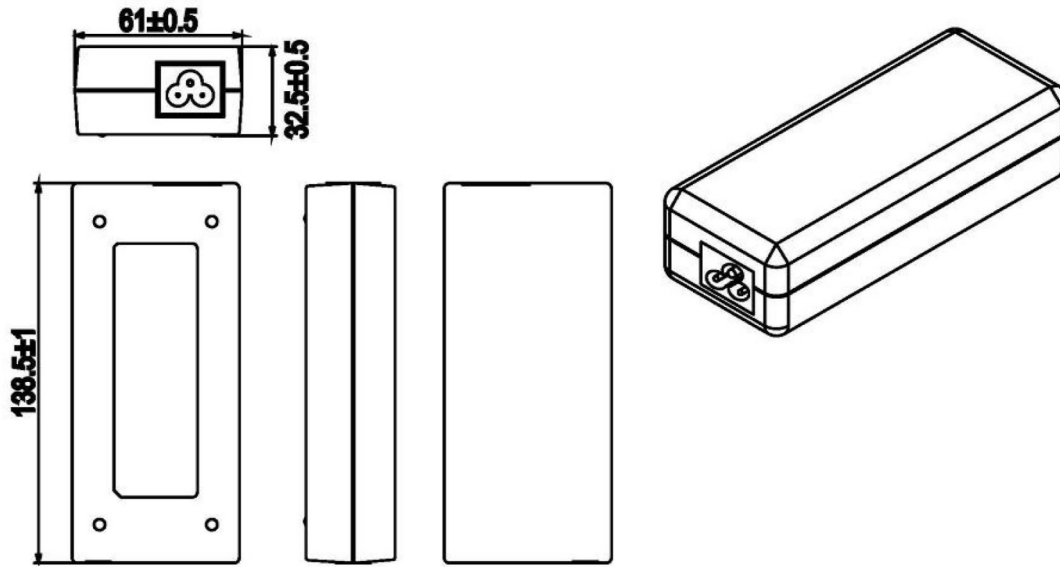
Model	Voltage DC [V]	Loading [A]	Max. Power [W]	Ripple / Noise [mV] p-p	Connector [mm]
SYS1575-9012-M3	12	0~7.5	90	200	2.1x5.5x11
SYS1575-9015-M3	15	0~6.0	90	200	2.1x5.5x11
SYS1575-9018-M3	18	0~5.0	90	200	2.1x5.5x11
SYS1575-9019-M3	19	0~4.73	90	200	2.1x5.5x11
SYS1575-9020-M3	20	0~4.5	90	200	2.1x5.5x11
SYS1575-9024-M3	24	0~3.75	90	240	2.1x5.5x11
SYS1575-9036-M3	36	0~2.5	90	360	2.1x5.5x11
SYS1575-9048-M3	48	0~1.87	90	480	2.1x5.5x11
SYS1575-9054-M3	54	0~1.6	90	540	2.1x5.5x11

Features:

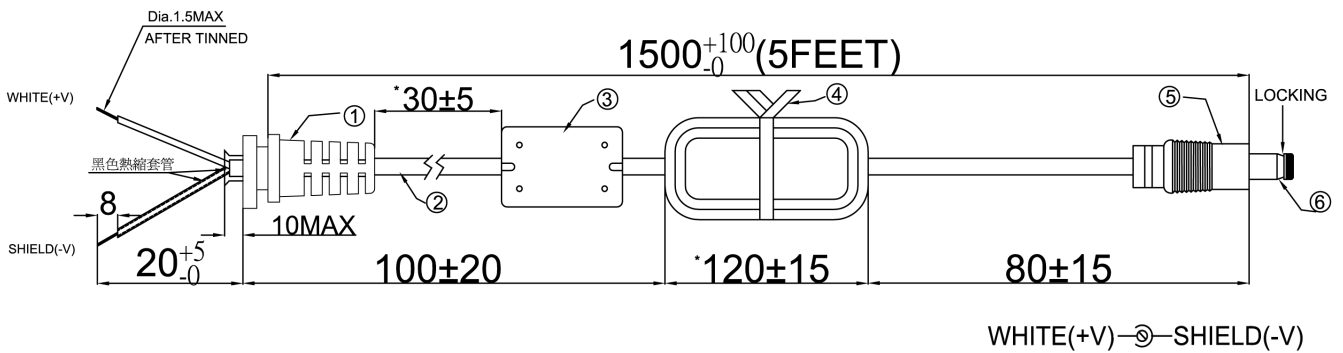
Available in inlet version: C5 (M3)
 Output connector: standard: 2.1 x 5.5 x 11mm or customer requirement | Regulated Output With Low Ripple Noise | Safety Agency Requirements and EMI/EMS Certified
 Private Label Marking Available | Modified and Custom Design Available | 2 Years Warranty

OUTPUT		CE	
Turn delay	7000ms max@AC low line input@output full load	EMC	2014/30/EU
Hold up time	10ms min@AC nominal input@output full load (>half cycle)	LVD	2014/35/EU EN 62368-1:2014+A11:2017
Efficiency (Normal)	Meet CEC,DOE,ERP,MEPS Level VI@115v/60HZ,230V/50HZ	SAFETY	
Transient response (dv,tmax)	2V dv max At AC nominal input loading from 20%load to 80%load Dynamic rise time 10 us max,duty 40ms max,Dynamic load step is slew rate of 0.5A/us	CB CE FCC cULus UKCA	
Power out.Limit	Peak 110w	OTHERS	
Burn in limit	Full load 2 Hours	Dielectric Strength (Hi-pot)	Primary to Secondary:1500VAC 10mA/60S
Power consumption	Less than 0.21W ms max. At AC nominal input@output min load	M.T.B.F	500,000 Calculated Hours at 25°C, by Telcordia SR-332
INPUT		Cable Length	1500mm (5 feet) standard cable or as required
Voltage	(90~264)VAC	PLD (power line disturbance)	Line power surge Line voltage SAG-more info on request
Frequency	(47~63)hz	Cooling method	Natural Convection Cooling
Current	2.5A rms@AC low line input and DC output full load	Housing material	PC or PPO
Inrush Surge Current (cold start)	100A max@power supply cold start,ambient temperature 25°C @115Vac/230Vac nominal AC input	Temperature coefficient:	< ±0.5% / °C
leakage current	3.2mA max	ENVIRONMENT	
PROTECTION		Temperature	Operating: 0~40°C / Storage: -20~85 °C
Over current/ Short protection	The power supply will self-protect any output to ground & auto recovery when abnormal circuit faults remove. An output short circuit is defined as any output impedance less than 0.1 ohms.	Humidity	Operating: 8%-90%RH / Storage: 5%-95% RH non con-
Over Voltage	The power supply will be auto recovered when faults remove	WEIGHT	
Input protection	F1:4A 250V Fuse The power supply shall be protected against power line surges and any abnormal condition	NW: 438g/pc	
No Load protection	The power supply is provided with no load operation to prevent the power supply and system from damage.	GW: about 17kg/box - depends on the model	
Protection class	I, (ITU-T K.21 Surge 6KV on request)	PACKING	
		30 pcs/1 box	

Mechanical case specification:



Cable specification:



Country of Origin : China
 Operating Temperature : 0~40 [°C]
 Dimension : 169 x 61 x 39 [mm]
 Efficiency level (ErP) : VI



Approvals / Marks :



Specifications

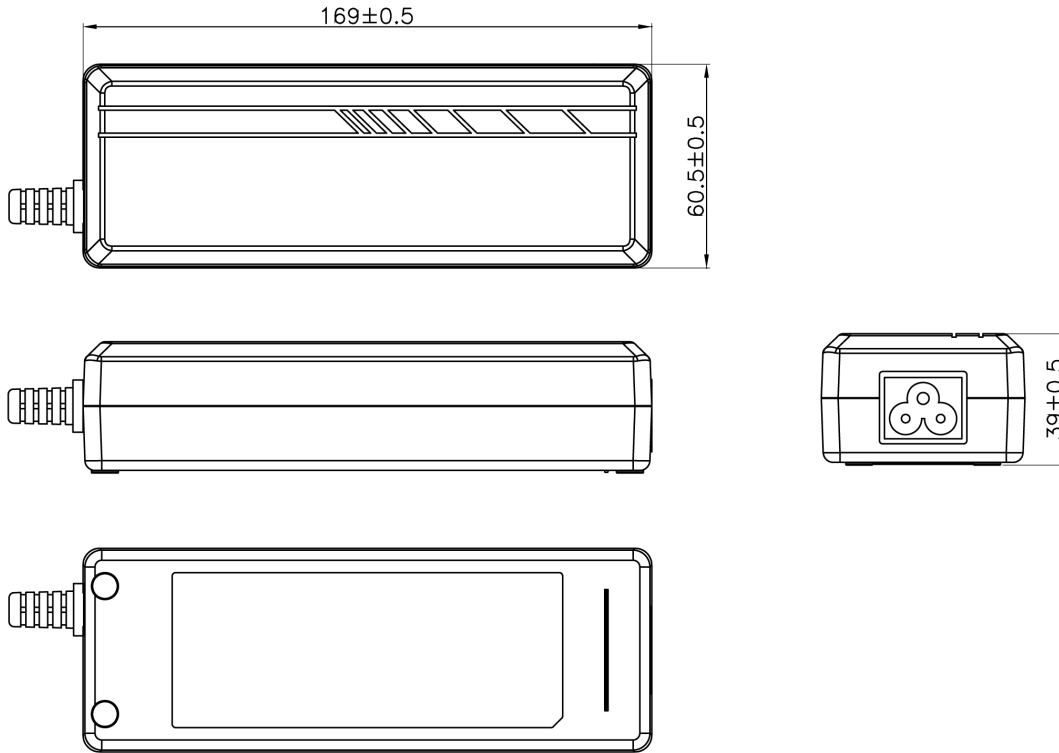
Model	Voltage DC [V]	Loading [A]	Max. Power [W]	Ripple / Noise [mV] p-p	Connector [mm]
SYS1576-12012-M3	12	0~10.0	120	200	2.1x5.5x11
SYS1576-12015-M3	15	0~8.0	120	200	2.1x5.5x11
SYS1576-12018-M3	18	0~6.66	120	200	2.1x5.5x11
SYS1576-12019-M3	19	0~6.31	120	200	2.1x5.5x11
SYS1576-12020-M3	20	0~6.0	120	200	2.1x5.5x11
SYS1576-12024-M3	24	0~5.0	120	240	2.1x5.5x11
SYS1576-13036-M3	36	0~3.6	130	360	2.1x5.5x11
SYS1576-13048-M3	48	0~2.7	130	480	2.1x5.5x11
SYS1576-13054-M3	54	0~2.4	130	540	2.1x5.5x11

Features:

Available in inlet version: C5 (M3)
 Output connector: standard: 2.1 x 5.5 x 11mm or customer requirement | Regulated Output With Low Ripple Noise | Safety Agency Requirements and EMI/EMS Certified
 Private Label Marking Available | Modified and Custom Design Available | 2 Years Warranty

OUTPUT		CE	
Turn delay	7000ms max@AC low line input@output full load	EMC	2014/30/EU
Hold up time	5ms min@AC nominal input@output full load (>half cycle)	LVD	2014/35/EU EN 62368-1:2014+A11:2017
Efficiency (Normal)	Meet CEC,DOE,ERP,MEPS Level VI@115v/60HZ,230V/50HZ	SAFETY	
Transient response (dv,tmax)	1.2V dv max At AC nominal input loading from 20%load to 80% load Dynamic rise time 10 us max,duty 40ms max,Dynamic load step is slew rate of 0.5A/us	CB CE FCC cULus SAA RCM PSB UKCA	
Power out.Limit	Peak 150w	OTHERS	
Burn in limit	Full load 2 Hours	Dielectric Strength (Hi-pot)	Primary to Secondary:1500VAC 10mA/60S
Power consumption	Less than 0.21W ms max. At AC nominal input@output min load	M.T.B.F	500,000 Calculated Hours at 25°C, by Telcordia SR-332
INPUT		Cable Length	1500mm (5 feet) standard cable or as required
Voltage	(90~264)VAC	PLD (power line disturbance)	Line power surge Line voltage SAG-more info on request
Frequency	(47~63)hz	Cooling method	Natural Convection Cooling
Current	4A rms@AC low line input and DC output full load	Housing material	PC or PPO
Inrush Surge Current (cold start)	120A max@power supply cold start,ambient temperature 25°C @115Vac/230Vac nominal AC input	Temperature coeffi-	< ±0.5% / °C
leakage current	3.5mA max	ENVIRONMENT	
PROTECTION		Temperature	Operating: 0~40°C / Storage: -20~85°C
Over current/ Short protection	The power supply will self-protect any output to ground & auto recovery when abnormal circuit faults remove. An output short circuit is defined as any output impedance less than 0.1 ohms.	Humidity	Operating: 8%~90%RH / Storage: 5%~95% RH non condensing
Over Voltage	The power supply will be auto recovered when faults remove	WEIGHT	
Input protection	F1:6.3A 250V Fuse The power supply shall be protected against power line surges and any abnormal condition	NW: 680 g/pc (estimated)	
No Load protection	The power supply is provided with no load operation to prevent the power supply and system from damage.	GW: 19 kg/box (estimated)	
Protection class	I, (ITU-T K.21 Surge 6KV on request)	PACKING	
		25 pcs/1 box	

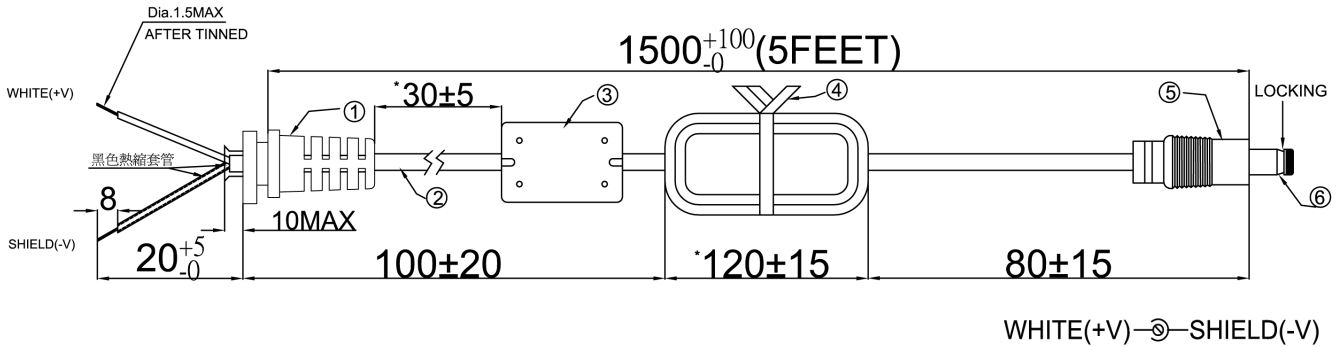
Mechanical case specification:



Cable specification:

for models with Voltage 12V-15V
1185#14*1C+SHIELD|1500mm

for models with Voltage 18V-54V
1185#16*1C+SHIELD|1500mm



Country of Origin : China

Efficiency level (ErP) : VI



Approvals / Marks :



Specifications

Model	Voltage DC [V]	Loading [A]	Max. Power [W]
STD 12090-T3	12	0~9.0	108
STD 15080-T3	15	0~8.0	120
STD 16075-T3	16	0~7.5	120
STD 18066-T3	18	0~6.6	120
STD 19063-T3	19	0~6.3	120
STD 20060-T3	20	0~6.0	120
STD 24050-T3	24	0~5.0	120
STD 30040-T3	30	0~4.0	120
STD 48025-T3	48	0~2.5	120
STD 56021-T3	56	0~2.15	120

Features:

Compliant to DoE 2016 (Level VI) | ErP Stage 2, NRCan & GEMS Level VI | No Load Power Consumption < 0.1 W | Regulated Output with Low Ripple Noise | 1 Year Warranty

INPUT

Voltage	AC 100 V – 240 V
Frequency	50 Hz - 60 Hz
Current	1.6 A max.
Protection	Internal Primary Current Fuse, Inrush Limiting

OUTPUT

Load Regulation	± 5 % (typical)
Ripple	1 % – 2 % V p-p max. for output voltage at full load
Transient Response	0.5 ms for 50 % load change typical
Leakage Current	0.25 mA max.
Protection	Short circuit Protection • Over Voltage Protection • Over Current Protection

OTHERS

Cooling	Convection
Efficiency	DoE Level VI • Energy Star • ErP Stage 2 • NRCan & GEMS Level VI Certified
Holdup Time	10 ms at full load
Dielectric Withstand	AC 3000 V Primary – Secondary
MTBF	300,000 calculated hours at 25 °C by telcordia SR-332

ENVIRONMENT

Temperature	Operating: 0 °C – 40 °C / Storage: -20 °C – 80 °C
Humidity	Operating: 20 % RH – 80 % RH / Storage: 10 % RH – 90 % RH

Safety	IEC / EN / UL 62368-1 • CE • RCM • PSE • BSM • UKCA
Case Dimensions	168 mm × 66 mm × 39 mm
Weight	-g

8.Mechanical :

8.1 Weight : 630g Typical

8.2 Cable Type : Black UL1185 18AWG
(Wire + Plug)

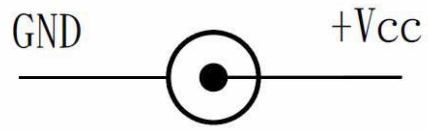
Plug : $\varnothing 5.5 * \varnothing 2.1 * 11\text{mm}$
(Tuning Fork & Cannelure)

8.3 Cable Length : 1500mm

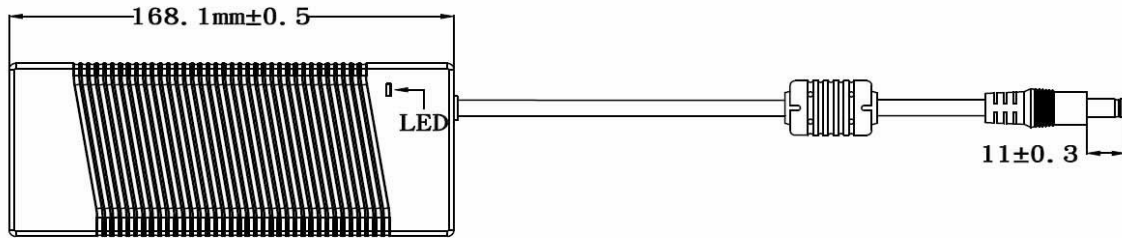
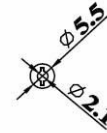
8.4 Case Dimension : 168.1mm(L)*65.9mm(W)*39mm(H)

8.5 Material Flammability : UL 94V-0

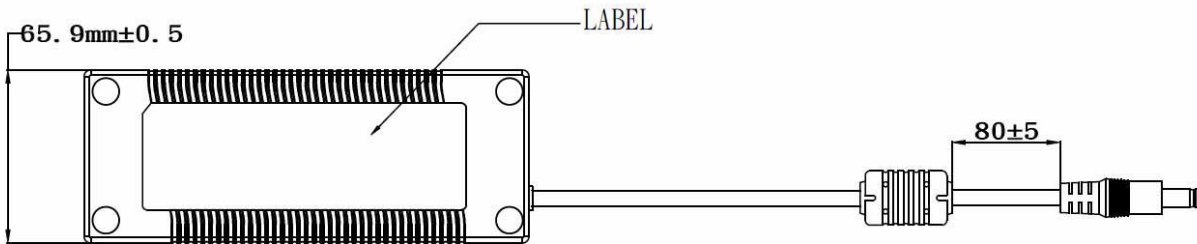
8.6 External Apperance : As drawing below (Scale \rightarrow mm)



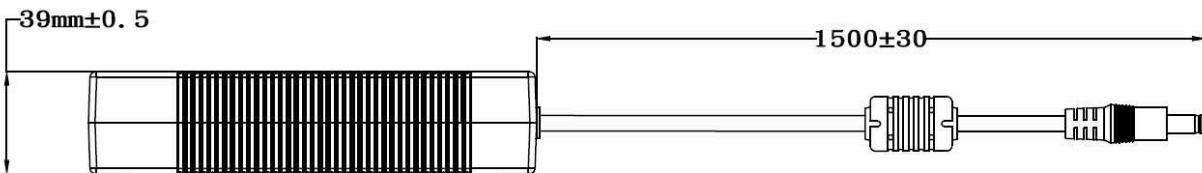
Output Cable Plug Pin Assignment



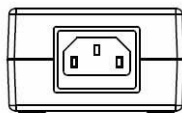
TOP-VIEW



BOTTOM-VIEW



SIDE-VIEW



FRONT-VIEW

Country of Origin : China

Efficiency level (ErP) : VI



Approvals / Marks :


Specifications

Model	Voltage DC [V]	Loading [A]	Max. Power [W]
ATS 160T-P120-T3	12	0~12.5	150
ATS 160T-P190-T3	19	0~8.4	160
ATS 160T-P240-T3	24	0~6.6	160
ATS 160T-P480-T3	48	0~3.3	160
ATS 160T-P560-T3	56	0~2.9	160

Features:

Compliant to DoE 2016 (Level VI) | ErP Stage 2, NRCAN & GEMS Level VI | No Load Power Consumption < 0.1 W | Regulated Output with Low Ripple Noise | 1 Year Warranty

INPUT

Voltage	AC 100 V – 240 V
Frequency	50 Hz - 60 Hz
Current	2.2 A max.
Protection	Internal Primary Current Fuse, Inrush Limiting

OUTPUT

Load Regulation	± 5 % (typical)
Ripple	1 % – 2 % V p-p max. for output voltage at full load
Transient Response	0.5 ms for 50 % load change typical
Leakage Current	0.25 mA max.
Protection	Short circuit Protection • Over Voltage Protection • Over Current Protection

OTHERS

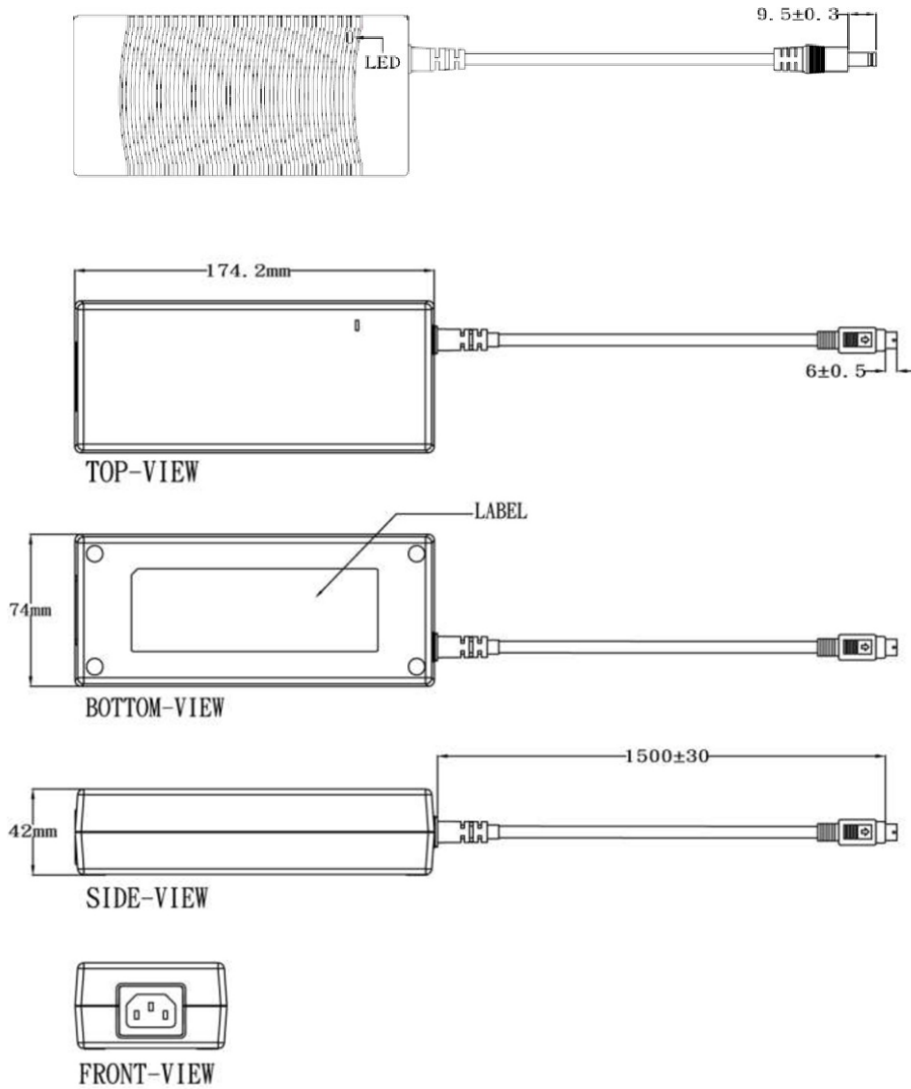
Cooling	Convection
Efficiency	DoE Level VI • Energy Star • ErP Stage 2 • NRCAN & GEMS Level VI Certified
Holdup Time	10 ms at full load
Dielectric Withstand	AC 3000 V Primary – Secondary
MTBF	300,000 calculated hours at 25 °C by telcordia SR-332

ENVIRONMENT

Temperature	Operating: 0 °C – 40 °C / Storage: -20 °C – 80 °C
Humidity	Operating: 20 % RH – 80 % RH / Storage: 10 % RH – 90 % RH

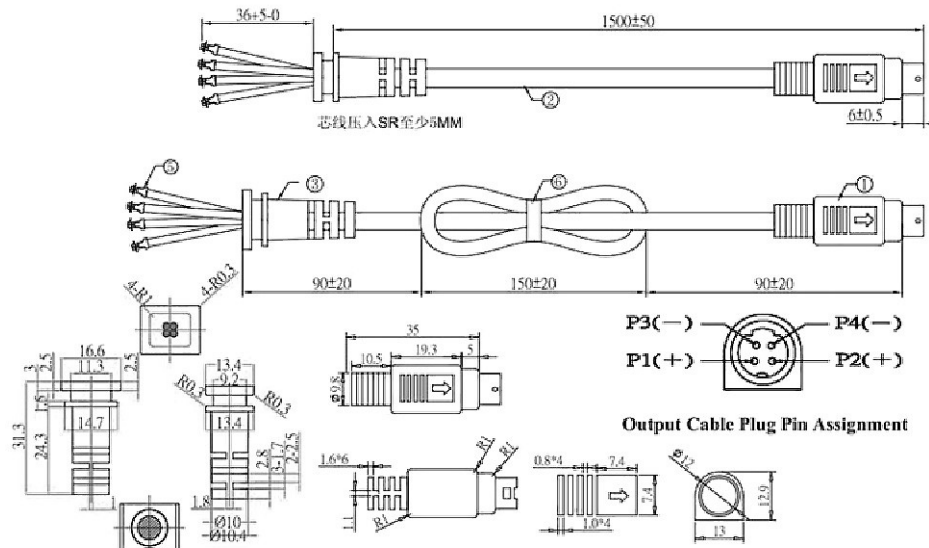
Safety	EN 62368-1:2014+A11:2017 • CE • RCM • PSE • BSMI (approvals may vary with input plug type) • UKCA
Case Dimensions	175 mm × 74 mm × 42 mm
Weight	700 g

Mechanical case specification:



Cable specification:

P1= (+V) | P2= (+V) | P3= (-V) | P4= (-V) | SHIELD=Not Connected



Country of Origin : China

Efficiency level (ErP) : VI

Approvals / Marks :


Specifications

Model	Voltage DC [V]	Loading [A]	Max. Power [W]
ATS 200T-P120-T3	12	0~16.0	192
ATS 200T-P240-T3	24	0~8.3	200
ATS 200T-P480-T3	48	0~4.2	200

Features:

Compliant to DoE 2016 (Level VI) | ErP Stage 2, NRCan & GEMS Level VI | No Load Power Consumption < 0.1 W | Regulated Output with Low Ripple Noise | 1 Year Warranty

INPUT

Voltage	AC 100 V – 240 V
Frequency	50 Hz - 60 Hz
Current	2.8 A max.
Protection	Internal Primary Current Fuse, Inrush Limiting

OUTPUT

Load Regulation	± 5 % (typical)
Ripple	1 % – 2 % V p-p max. for output voltage at full load
Transient Response	0.5 ms for 50 % load change typical
Leakage Current	0.25 mA max.
Protection	Short circuit Protection • Over Voltage Protection • Over Current Protection

OTHERS

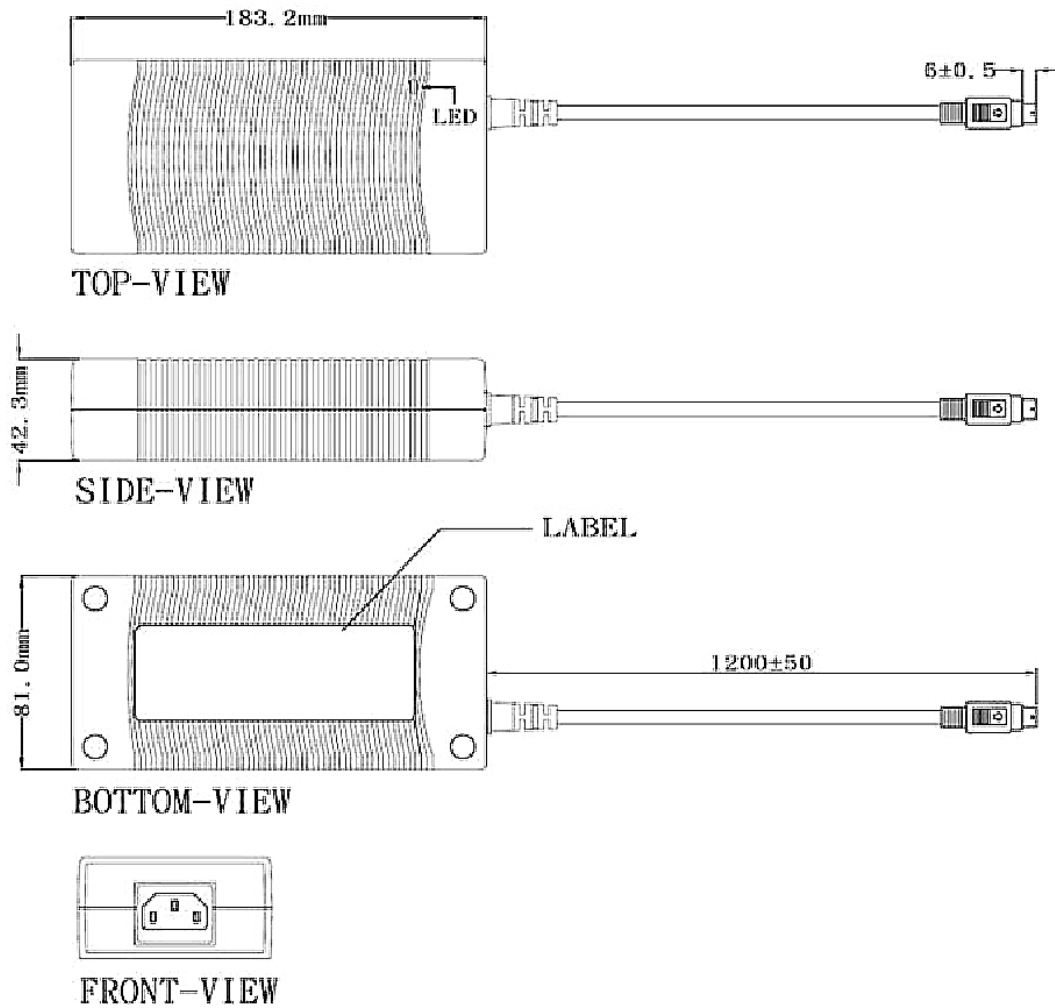
Cooling	Convection
Efficiency	DoE Level VI • Energy Star • ErP Stage 2 • NRCan & GEMS Level VI Certified
Holdup Time	10 ms at full load
Dielectric Withstand	AC 3000 V Primary – Secondary
MTBF	300,000 calculated hours at 25 °C by telcordia SR-332

ENVIRONMENT

Temperature	Operating: 0 °C – 40 °C / Storage: -20 °C – 80 °C
Humidity	Operating: 20 % RH – 80 % RH / Storage: 10 % RH – 90 % RH

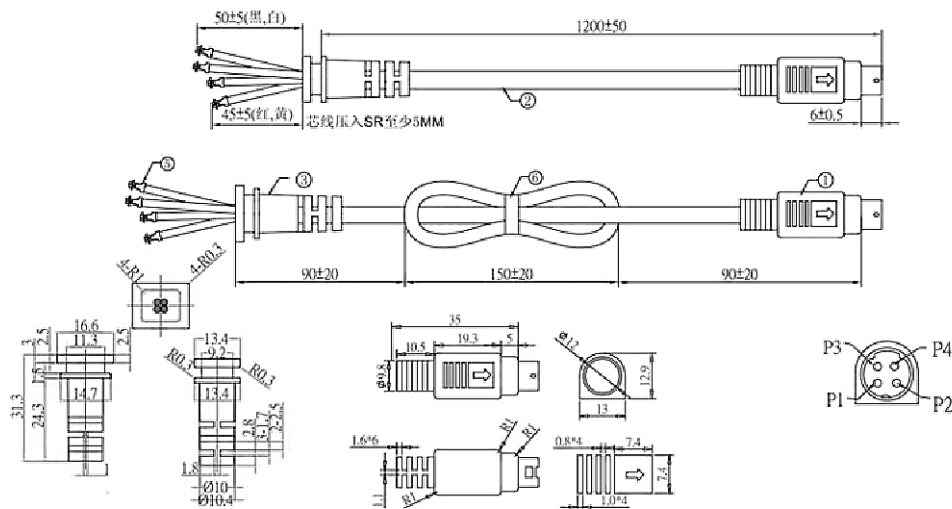
Safety	EN 62368-1:2014+A11:2017 • CE • PSE • UKCA
Case Dimensions	183.2 mm x 81.0 mm x 42.3 mm
Weight	820 g

Mechanical case specification:



Cable specification:

P1= (+V) | P2= (+V) | P3= (-V) | P4= (-V) | SHIELD=Not Connected



Country of Origin : China
 Operating Temperature : 0~40 [°C]
 Dimension : 93.5 x 46 x 37.7 [mm]
 Certified AC Plugs: EU, UK, USA/Japan, Australia, China
 Efficiency level (ErP) :



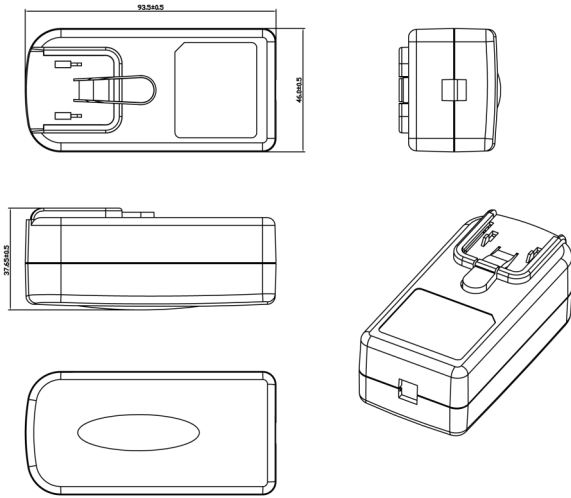
Features:

Wall-mount LED Driver with Exchangeable AC Plugs.	For LED applications use only
Wide range Input (90 ~ 264) VAC / (47 ~ 63) Hz.	RoHS conform
Customer can choose one or more certified plugs Wxx*(W2E, W2, W3U, W2A, W2C).	
Output connector: standard: 2.1 x 5.5 x 11mm or customer requirement.	

Specification:

	Model	Voltage DC [V]	Loading [A]	Line/Road regulation [%]	Over Current [A]	Over Voltage [V]	Max. Power [W]	Ripple / Noise [mV] p-p	Connector UL approved [mm]
ErP V.	SYL1460-2412-Wxx*	12	0.01~2.00	5	2.05 ~ 3.5	< 20	24	250	2.1x5.5x11
	SYL1460-2415-Wxx*	15	0.01~1.60	5	1.65 ~ 3.0	< 25	24	250	2.1x5.5x11
	SYL1460-2424-Wxx*	24	0.01~1.00	5	1.05 ~ 2.0	< 40	24	300	2.1x5.5x11
*Wxx	Possible to order with	Wxx =W2E - Europe W2 - USA,Canada W3U - UK W2A - Australia W2C - China							
INPUT	Voltage	(90 ~ 264) VAC							
	Frequency	(47 ~ 63) Hz							
	Current	0.5A rms@ AC low line input and DC output full load							
	Inrush Current (cold start)	60Amax. @ LED Driver cold start, ambient temperature 25°C @230Vac nominal AC input.							
	Leakage current	0.25 mA max.							
PROTECTION	Over Current	The LED Driver will self-protect any output to ground, And auto recovery when abnormal circuit faults remove.							
	Over Voltage	The LED Driver will not be auto recovered when faults remove							
	Short Circuit	Is defined as any output impedance of less than 0.1Ω. The LED Driver will be auto recovered when short circuit faults remove.							
OTHERS	Efficiency (typical)	≥82.1% @ full load according upon spec							
	Power factor	0.9 min At AC nominal input @ output full load							
	Standby Power	0.3W rms max. At AC nominal input @ output min load							
	Cooling	Free air convection							
	M.T.B.F.	500,000 Calculated Hours at 25°C, by Telcordia SR-332							
	HI-POT	IEC 320 2pin primary to secondary 3750Vac 10mA 1min							
ENVIRONMENT	Temperature	Operating: (0 ~ 40)°C / Storage: (-20 ~ 85)°C							
	Humidity	Operating: 8% ~ 90% RH non condensing / Storage: 5% ~ 95% RH non condensing							
CONNECTION	Input	Plugs: EU, UK, US, AUS, China (exchangeable)							
	Output	Plug standard center '+' or customer requirement // Cable length 1,8m							
SAFETY	CE MM Mark F Mark CB FCC EN61347-2-13 UKCA								
CE	EMC	2014/30/EU							
	LVD	2014/35/EU EN61347-1:2015+A1:2021 EN61347-2-13:2014+A1:2017							
WEIGHT	1pc	N.W.: 156 g/pc + plug							
PACKING	Box	0.42 x 0.38 x 0.27 [m]							G.W.: - kg/box
		63pcs / 1box – provide without plugs / plugs are separately							

Mechanical case specification:

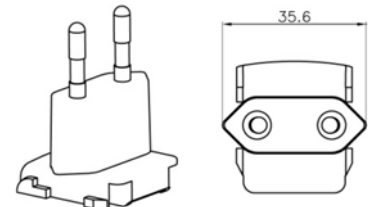
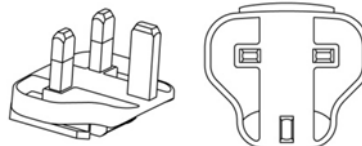
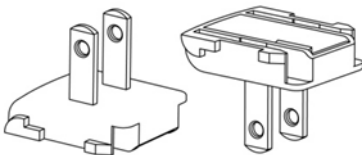


Mechanical specification (country housing):

US / Japan type (W2)

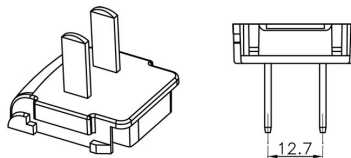
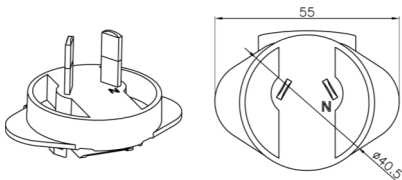
UK type (W3U)

Europe type (W2E)

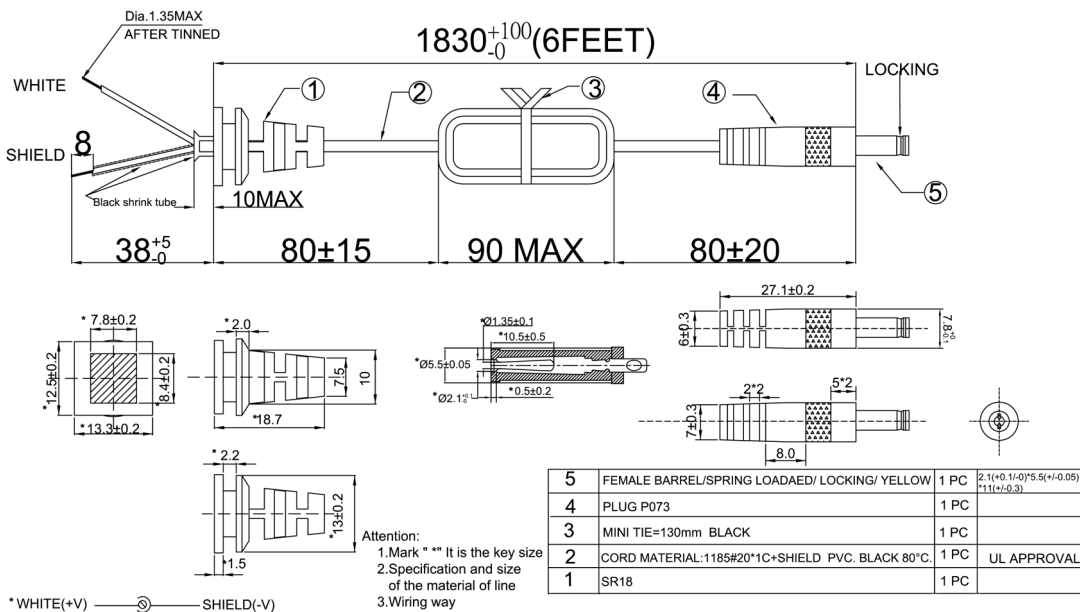



Australia type (W2A)

China type (W2C)



Cable specification:



Country of Origin : China
 Operating Temperature : 0~40 [°C]
 Dimension : 62 x 27 x 27 [mm]
 Car adapter : DC-DC convertor
 Approvals / Marks : 



Truck 24 V



Car 12 V



Features:

Car adapter for notebook can be used in cars and trucks (12V or 24V cigarette plug).

Output current & output voltage protection.

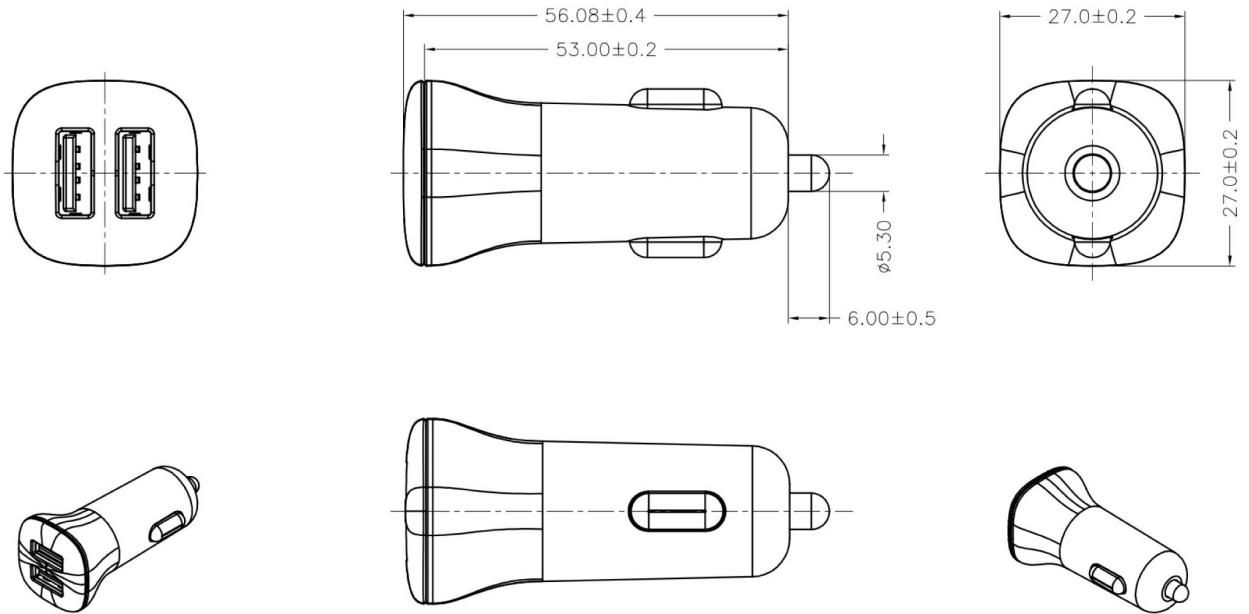
Input range (10 ~ 30)VDC. Power ON – Green LED.

For I.T.E. use only + RoHS conform. | For iPhone / iPad and other

Specification:

ErP V.	Model	Voltage DC [V]	min. Load [A]	max. Load [A]	Efficiency [%]	OCP [A]	Max. Power [W]	Ripple & Noise [mV]p-p max.	Connector [mm]
	RY-CC24U2 (Dual Car Charger 1205)	5.0	0	2.4	75	2.7-4.0	12	<200	USB inlet
(*)	Depends on customer request if USB inlet or DC cable with DC UL approved connector								
INPUT	Voltage	(10 ~ 30)VDC							
	Input Current	1.8 A rms max At low line input and DC output full load							
	Load regulation	±5%							
	Power Efficiency	75% typical At nominal input@ output full load							
	Input Fuse	T2AL/250V Fuse							
OUTPUT	DC cable & connector	-							
	Burn in test	2 Hours Full Load							
	Turn on delay	1000ms max At low line input@output full load							
	Power ON Led	Yes (Green – Power ON @ adapter)							
PROTECTION	Input	Fuse 3.15A The power supply shall be protected against power line surges and any abnormal condition.							
	Short Circuit	The power supply shall be protected from damage of accidentally when the I/P voltage is between 11Vdc and 32Vdc.the O/P short protection could be protected forever .input power do not Exceed 5W when output is shorted.							
	Over Current	Removal of an output overload conditions shall permit automatic recovery of the output voltage.							
	Over Voltage	Yes, Voltage limit, OVP range = 7.5V max							
ENVIRONMENT	Cooling	By nature air.							
	Temperature	Operating: (0 ~ 40)°C / Storage: (-20 ~ 85)°C							
	Humidity	Operating: (8 ~ 90)% RH / Storage: (5 ~ 95)% RH							
OTHERS	Case material	-							
	M.T.B.F.	500,000 Calculated Hours at 25°C, by Telcordia SR-332							
SAFETY		CE							
CE	EMC	2014/30/EU EN 50498:2010							
WEIGHT	1pc	N.W.: 18g / pc							
		0.392 x 0.392 x 0.257[m]							
PACKING	Box	500pcs / 1box							
		G.W.: 11.1 kg / box							

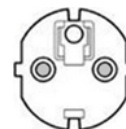
Mechanical case specification:



IEC320-C5 (EU)

Country of Origin China
 RoHS yes
 Application For Class I. Appliances
 Approvals CEBEC, KEMA, NF, OVE, VDE, IMQ, FI, S, D, N, ENEC, KC

Length/cord		1.8m / 3x0.75mm ²
Plug		SP-022 16A/250V
Connector		IS-034 2,5A/250V
Rating		300/500V 70°C
Flex cord		H05VV-F
WEIGHT / PACKING	1pc	N.W.: 180 g / pc
	BOX	100 pcs / 1box
		G.W.: 18,4 kg / box
		0.55x0.36x0.20 [m]



IEC320-C5 (UK)

Country of Origin China
 RoHS yes
 Application For Class I. Appliances
 Approvals ASTA, ENEC

Length/cord		1.8m / 3x0.75mm ²
Plug		SP-62 13A/250V
Connector		IS-034 2,5A/250V
Fuse		13A
Rating		300/500V 70°C
Flex cord		H05VV-F
WEIGHT / PACKING	1pc	N.W.: 204 g / pc
	BOX	75 pcs / 1box
		G.W.: 15,8 kg / box
		0.55x0.36x0.20 [m]



IEC320-C5 (UL)

Country of Origin China
 RoHS yes
 Application For Class I. Appliances
 Approvals UL, CSA

Length/cord		1.8m / 3x0.75mm ²
Plug		SP-305B 7A/125V
Connector		IS-034 7A/125V
Rating		300V 60°C
Flex cord		SVT
WEIGHT / PACKING	1pc	N.W.: 103 g / pc
	BOX	125 pcs / 1box
		G.W.: 18,9 kg / box
		0.55x0.36x0.20 [m]



IEC320-C5 (EU)

Country of Origin	China
RoHS	yes
Application	For Class II. Appliances
Approvals	SAA

Length/cord	1.8m / 3x0.75mm ²	
Plug	SP-502B 10A/250V	
Connector	IS-034 2,5A/250V	
Rating	300/500V 70°C	
Flex cord	H05VV-F	
WEIGHT / PACKING	1pc	N.W.: 183 g / pc
	BOX	90 pcs / 1box
		G.W.: 17,3 kg / box
		0.55x0.36x0.20 [m]



IEC320-C7 (EU)

Country of Origin China
 RoHS yes
 Application For Class II. Appliances
 Approvals ENEC

Length/cord	1.8m / 2x0.75mm ²	
Plug	SP-021A 2,5A/250V	
Connector	IS-033 2,5A/250V	
Rating	300/300V 70°C	
Flex cord	H03VVH2-F	
WEIGHT / PACKING	1pc	N.W.: 82 g / pc
	BOX	200 pcs / 1box
		G.W.: 17,3 kg / box
		0.55x0.36x0.20 [m]

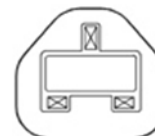


Available also in white version

IEC320-C7 (UK)

Country of Origin China
 RoHS yes
 Application For Class II. Appliances
 Approvals ASTA, Singapore, ENEC

Length/cord	1.8m / 2x0.75mm ²	
Plug	SP-62 5A/250V	
Connector	IS-033 2,5A/250V	
Fuse	5A	
Rating	300/300V 70°C	
Flex cord	H03VVH2-F	
WEIGHT / PACKING	1pc	N.W.: 146 g / pc
	BOX	100 pcs / 1box
		G.W.: 14,6 kg / box
		0.55x0.36x0.20 [m]


IEC320-C7 (UL)

Country of Origin China
 RoHS yes
 Application For Class II. Appliances
 Approvals UL, CSA

Length/cord	1.8m / 2x0.75mm ²	
Plug	SP-12N 7A/125V	
Connector	IS-033 7A/125V	
Rating	300V 105°C	
Flex cord	SPT-1	
WEIGHT / PACKING	1pc	N.W.: 71 g / pc
	BOX	200 pcs / 1box
		G.W.: 14,7 kg / box
		0.55x0.36x0.20 [m]



IEC320-C7 (Aus)

Country of Origin China
 RoHS yes
 Application For Class II. Appliances
 Approvals SAA

Length/cord		1.8m / 2x0.75mm ²
Plug		SP-501A 7,5A/250V
Connector		IS-033 2,5A/250V
Rating		300/300V 70°C
Flex cord		H03VVH2-F
WEIGHT / PACKING	1pc	N.W.: 92 g / pc
	BOX	125 pcs / 1box
		G.W.: 12,4 kg / box
		0.55x0.36x0.20 [m]


IEC320-C7 (Japan)

Country of Origin China
 RoHS yes
 Application For Class II. Appliances
 Approvals PSE

Length/cord		1.8m / 2x0.75mm ²
Plug		SP-18B 7A/125V
Connector		IS-033C 7A/125V
Rating		300V 60°C
Flex cord		VCTFK
WEIGHT / PACKING	1pc	N.W.: 104 g / pc
	BOX	150 pcs / 1box
		G.W.: 16,3 kg / box
		0.55x0.36x0.20 [m]



IEC320-C13 (EU)

Country of Origin: China
 RoHS: yes
 Application: For Class I. Appliances
 Approvals: CEBC, KEMA, NF, OVE, VDE, IMQ, FI, S, D, N, ENEC, KC

Length/cord		1.8m / 3x0.75mm ²
Plug		SP-022 16A/250V
Connector		IS-14 10A/250V
Rating		300/500V 70°C
Flex cord		H05VV-F
WEIGHT / PACKING	1pc	N.W.: 192 g / pc
	BOX	100 pcs / 1box
		G.W.: 18,9 kg / box
		0.55x0.36x0.20 [m]



IEC320-C13 (UK)

Country of Origin: China
 RoHS: yes
 Application: For Class I. Appliances
 Approvals: ASTA, Singapore, ENEC

Length/cord		1.8m / 3x0.75mm ²
Plug		SP-62 5A/250V
Connector		IS-14 10A/250V
Fuse		5A
Rating		300/500V 70°C
Flex cord		H05VV-F
WEIGHT / PACKING	1pc	N.W.: 202 g / pc
	BOX	75 pcs / 1box
		G.W.: 15,9 kg / box
		0.55x0.36x0.20 [m]



IEC320-C13 (UL)

Country of Origin: China
 RoHS: yes
 Application: For Class I. Appliances
 Approvals: UL, CSA

Length/cord		1.8m / 3x0.75mm ²
Plug		SP-305B 10A/125V
Connector		IS-14 10A/125V
Rating		300V 105°C
Flex cord		SVT
WEIGHT / PACKING	1pc	N.W.: 149 g / pc
	BOX	125 pcs / 1box
		G.W.: 20,2 kg / box
		0.55x0.36x0.20 [m]



IEC320-C13 (Aus)

Country of Origin	China
RoHS	yes
Application	For Class I. Appliances
Approvals	SAA

Length/cord		1.8m / 3x0.75mm ²
Plug		SP-502B 10A/250V
Connector		IS-14 10A/250V
Rating		250/440V 75°C
Flex cord		H05VV-F
WEIGHT / PACKING	1pc	N.W.: 197 g / pc
	BOX	90 pcs / 1box
		G.W.: 17,6 kg / box
		0.55x0.36x0.20 [m]


IEC320-C13 (Brazil)

Country of Origin	China
RoHS	yes
Application	For Class I. Appliances
Approvals	Inmetro, ENEC

Length/cord		1.8m / 3x0.75mm ²
Plug		SP27A 10A/250V
Connector		IS-14 10A/250V
Rating		300/500V 70°C
Flex cord		H05VV-F
WEIGHT / PACKING	1pc	N.W.: 158 g / pc
	BOX	120 pcs / 1box
		G.W.: 18,8 kg / box
		0.55x0.36x0.20 [m]


IEC320-C13 (Swiss)

Country of Origin	China
RoHS	yes
Application	For Class I. Appliances
Approvals	+S, ENEC

Length/cord		1.8m / 3x0.75mm ²
Plug		SP-027C 10A/250V
Connector		IS-14 10A/250V
Rating		300/500V 70°C
Flex cord		H05VV-F
WEIGHT / PACKING	1pc	N.W.: 169 g / pc
	BOX	100 pcs / 1box
		G.W.: 17,4 kg / box
		0.55x0.36x0.20 [m]



IEC320-C13 (C)

Country of Origin China
 RoHS yes
 Application For Class I. Appliances
 Approvals CCC

Length/cord		1.8m / 3x0.75mm ²
Plug		SP-506A 10A/250V
Connector		IS-14 10A/250V
Rating		300/500V 70°C
Flex cord		RVV
WEIGHT / PACKING	1pc	N.W.: 182 g / pc
	BOX	100 pcs / 1box
		G.W.: 19,3 kg / box
		0.55x0.36x0.20 [m]


IEC320-C13 (AG)

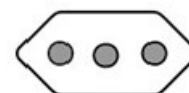
Country of Origin China
 RoHS yes
 Application For Class I. Appliances
 Approvals IRAM, ENEC

Length/cord		1.8m / 3x0.75mm ²
Plug		SP-852 10A/250V
Connector		IS-14 10A/250V
Rating		300/500V 70°C
Flex cord		H05VV-F
WEIGHT / PACKING	1pc	N.W.: 179 g / pc
	BOX	100 pcs / 1box
		G.W.: 18,6 kg / box
		0.55x0.36x0.20 [m]


IEC320-C13 (Italy)

Country of Origin China
 RoHS yes
 Application For Class I. Appliances
 Approvals IMQ, D, CEBEC, S FI, N, IMQ, NF, OVE, KEMA, +S, VDE

Length/cord		1.8m / 3x0.75mm ²
Plug		SP-028 10A/250V
Connector		IS-14 10A/250V
Rating		300/500V 70°C
Flex cord		H05VV-F
WEIGHT / PACKING	1pc	N.W.: 158 g / pc
	BOX	100 pcs / 1box
		G.W.: 16,9 kg / box
		0.55x0.36x0.20 [m]



Extension Cable Plug 20cm

Country of Origin : China
 Operating Temperature : 0 ÷ 40[°C]
 Cable type : 20AWG - 2wc
 DC Connector : 2.1x5.5x11 with center springs
 2.5x5.5x11 with center springs
 Max. load 5A



WEIGHT	1pc	N.W.: 6g / pc
PACKING	Bunch	50pcs / 1bunch
		G.W.: 0.3 kg / bunch

Extension cable Plug 80cm

Country of Origin : China
 Operating Temperature : 0 ÷ 40[°C]
 Cable type : 20AWG - 2wc
 DC Connector : 2.1x5.5x11 with center springs
 2.5x5.5x11 with center springs
 Max. load 5A



WEIGHT	1pc	N.W.: 16g / pc
PACKING	Bunch	20pcs / 1bunch
		G.W.: 0.32 kg / bunch

Extension cable Plug 1.5m

Country of Origin : China
 Operating Temperature : 0 ÷ 40[°C]
 Cable type : 20AWG - 2wc
 DC Connector : 2.1x5.5x11 with center springs
 Max. load 5A



WEIGHT	1pc	N.W.: 27g / pc
PACKING	Bunch	10pcs / 1bunch
		G.W.: 0.27 kg / bunch

Extension cable Plug 3.0m

Country of Origin : China
 Operating Temperature : 0 ÷ 70[°C]
 Cable type : 20AWG - 3.9/2RC
 DC Connector : 2.1x5.5x11 with center springs
 Max. load 5A



WEIGHT	1pc	N.W.: 81g / pc
PACKING	Box	5pcs / 1bunch
		G.W.: 0.41 kg / bunch

Extension Cable Plug 2.0m

Country of Origin : China
 Operating Temperature : 0 ÷ 40[°C]
 Cable type : 20AWG - 3.9/2RC
 DC Connector : 2.1x5.5x11 with center springs
 Max. load : 5A

WEIGHT	1pc	N.W.: 50g / pc
PACKING	Bunch	10pcs / 1bunch
		G.W.: 0.5 kg / bunch



Extension Cable Plug 4.0m

Country of Origin : China
 Operating Temperature : 0 ÷ 40[°C]
 Cable type : 20AWG - 3.9/2RC
 DC Connector : 2.1x5.5x11 with center springs
 Max. load : 5A

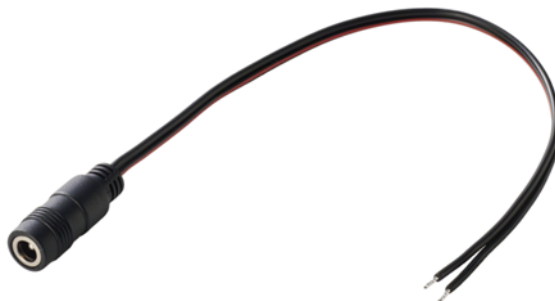
WEIGHT	1pc	N.W.: 105g / pc
PACKING	Bunch	5pcs / 1bunch
		G.W.: 0.53 kg / bunch



Extension Cable Jack 0.2m

Country of Origin : China
 Operating Temperature : 0 ÷ 40[°C]
 Cable type : 20AWG - 2wc
 DC Connector : 2.1x5.5x11
 2.5x5.5x11
 Max. load 5A

WEIGHT	1pc	N.W.: 10g / pc
PACKING	Bunch	50pcs / 1bunch
		G.W.: 0.5 kg / bunch



Extension cable Jack 0.8m

Country of Origin : China
 Operating Temperature : 0 ÷ 40[°C]
 Cable type : 20AWG - 2wc
 DC Connector : 2.1x5.5x11
 Max. load 5A

WEIGHT	1pc	N.W.: 19g / pc
PACKING	Bunch	100pcs / 1bunch
		G.W.: 1.9kg / bunch



Extension Cable Jack 2.0m

Country of Origin : China
 Operating Temperature : 0 ÷ 70[°C]
 Cable type : 20AWG - 2RC
 DC Connector : 2.1x5.5x11
 Max. load 5A

WEIGHT	1pc	N.W.: 57g pc
PACKING	Bunch	60pcs / 1bunch
		G.W.: 3.5 kg / bunch



Extension cable Jack 4.0m

Country of Origin : China
 Operating Temperature : 0 ÷ 70[°C]
 Cable type : 20AWG - 2RC
 DC Connector : 2.1x5.5x11
 Max. load 5A

WEIGHT	1pc	N.W.: 112g / pc
PACKING	Bunch	5pcs / 1bunch
		G.W.: 0.56 kg / bunch



Extension Cable Jack to Plug 1.5m

Country of Origin : China
 Operating Temperature : 0 ÷ 70[°C]
 Cable type : 20AWG - 2RC
 Maximum Load: 5A max.
 DC Connector types: Plug 2.1x5.5x11 with center springs & Jack 2.1x5.5x11



WEIGHT	1pc	N.W.: 49g / pc
PACKING	Bunch	10 [pcs]
		G.W.: 0.490 [kg]

Extension Cable Jack to Plug 4.0m

Country of Origin : China
 Operating Temperature : 0 ÷ 70[°C]
 Cable type : 20AWG - 2RC
 Maximum Load: 5A max.
 DC Connector types: Plug 2.1x5.5x11 with center springs & Jack 2.1x5.5x11



WEIGHT	1pc	N.W.: 112g / pc
PACKING	Bunch	5 [pcs]
		G.W.: 0.560 [kg]

Extension Cable Plug to Plug 0.5m

Country of Origin : China
 Operating Temperature : 0 ÷ 70[°C]
 Cable type : 20AWG - RC
 Maximum Load: 5A max.
 DC Connector types: Plug 2.1x5.5x11 with center springs



WEIGHT	1pc	N.W.: 21g / pc
PACKING	Bunch	150 [pcs]
		G.W.: 3.150 [kg]

Extension Cable Plug to Plug 1m

Country of Origin : China
 Operating Temperature : 0 ÷ 70[°C]
 Length / cable type : 20AWG - RC
 Maximum Load: 5A max.
 DC Connector types: Plug 2.1x5.5x11 with center springs



WEIGHT	1pc	N.W.: 34g / pc
PACKING	Bunch	20 [pcs]
		G.W.: 0.680 [kg]



Extension Cable Jack 80cm switch

Switch material: RoHS PC UL94V-2
Operating Temperature : 0 ÷ 80[°C]
Length / cable type : 0.8m / 20AWG - 2468
Max. load: 5A
DC Connector : 2.1x5.5x11



WEIGHT	1pc	N.W.: 36g / pc
PACKING	Bunch	80pcs / 1bunch
		G.W.: 2,9 kg / bunch

Extension Cable USB-A to micro USB 1,4m

Country of Origin : China
 Operating Temperature : 0 ÷ 80[°C]
 Length / cable type : 1.4m / 20AWG – round cable
 Maximum Load: 3A
 USB standard: 2.0
 Communication: Data transmission

WEIGHT	1pc	N.W.: 37g / pc
PACKING	Bunch	Various [pcs] 10
		G.W.: 0.370 [kg]



Extension Cable USB-A to mini USB 1,4m

Country of Origin : China
 Operating Temperature : 0 ÷ 80[°C]
 Length / cable type : 1,4m / 20AWG – round cable
 Maximum Load: 3A
 USB standard: 2.0
 Communication: Data transmission

WEIGHT	1pc	N.W.: 36g / pc
PACKING	Bunch	Various [pcs] 10
		G.W.: 0.360 [kg]



Extension cable USB-A to Plug 2.1x5.5x11 with center springs 1,5m

Country of Origin : China
 Operating Temperature : 0 ÷ 80[°C]
 Length / cable type : 1.5 m / 20AWG – round cable
 Maximum Load: 5A
 USB standard: 2.0
 Communication: Data transmission

WEIGHT	1pc	N.W.: 50g / pc
PACKING	Bunch	Various [pcs] 10
		G.W.: 0.5 [kg]



Extension cable USB-A to USB-C 1,5m

Country of Origin : China
 Operating Temperature : 0 ÷ 80[°C]
 Length / cable type : 1.0 m / AWM 20276
 Maximum Load: 5A
 USB standard: 2.0
 Communication: Data transmission

WEIGHT	1pc	N.W.: 33g / 48g / pc
PACKING	Bunch	Various [pcs] 10
		G.W.: 0.3 / 0.5 [kg]



Extension Cable USB-C to USB-C 1,5m black / white

Country of Origin :	China
Operating Temperature :	0 ÷ 80[°C]
Length / cable type :	1.0m / AWM 2725
Maximum Load:	3,5A
USB standard:	2.0
Communication:	Data transmission

WEIGHT	1pc	N.W.: 35g / 57g / pc
PACKING	Bunch	Various [pcs] 10
		G.W.: 0.35 / 0.57 [kg]



Cable Splitter 1 Jack to 3 Plugs

Country of Origin : China

Applications: CCTV video extension cable, DC power splitter, and all CCTV accessories.

Cable type : 20AWG VW-1 2464 round cable
(Jack 2.1x5.5x11 to 3 Plugs 2.1x5.5x11)

DC Connector : 0.1m + 3x0.2m

Max. Load : 5A



WEIGHT	1pc	N.W.: 44g / pc
PACKING	Plastic bag	50pcs
		G.W.: 2.2kg

Cable Splitter 1 Jack to 5 Plugs

Country of Origin : China

Applications: CCTV video extension cable, DC power splitter, and all CCTV accessories.

Cable type : 20AWG VW-1 2464 round cable
(Jack 2.1x5.5x11 to 5 Plugs 2.1x5.5x11)

DC Connector : 0.1m + 5x0.2m

Max. Load : 5A



WEIGHT	1pc	N.W.: 62g / pc
PACKING	Plastic bag	50pcs
		G.W.: 3.1kg

Cable Splitter CHAIN 5

Country of Origin : China
Applications: CCTV video extension cable,
DC power splitter,
and all CCTV accessories.
Cable type : 22AWG VW-1 2464 round cable
DC Connector : (Jack 2.1x5.5x11 to 5 Plugs 2.1x5.5x11)
5x0.18m
Max. Load : 5A



WEIGHT	1pc	N.W.: 54g / pc
PACKING	Plastic bag	100pcs
		G.W.: 5.4kg

Max loading current for all reductions is 5.4A

Reduction 2.1x5.5 Jack to 1.1x2.3 Plug (S)

Center springs : No		
WEIGHT	1pc	N.W.: 4.0g / pc
PACKING	Plastic bag	100pcs
		G.W.: 0.400 kg



Reduction 2.1x5.5 Jack to 1.1x3.0 Plug (S)

Center springs : No		
WEIGHT	1pc	N.W.: 4.0g / pc
PACKING	Plastic bag	100pcs
		G.W.: 0.400 kg



Reduction 2.1x5.5 Jack to 1.1x3.5 Plug (S)

Center springs : No		
WEIGHT	1pc	N.W.: 4.0g / pc
PACKING	Plastic bag	100pcs
		G.W.: 0.400kg



Reduction 2.1x5.5 Jack to 1.3x3.5 Plug (S)

Center springs : No		
WEIGHT	1pc	N.W.: 4.9g / pc
PACKING	Plastic bag	100pcs
		G.W.: 0.488 kg



Reduction 2.1x5.5 Jack to 1.5x5.5 Plug (S)

Center springs : No		
WEIGHT	1pc	N.W.: 5.3g / pc
PACKING	Plastic bag	100pcs
		G.W.: 0.537 kg



Reduction 2.1x5.5 Jack to 1.7x4.0 Plug (S)

Center springs : Yes		
WEIGHT	1pc	N.W.: 4.9g / pc
PACKING	Plastic bag	100pcs
		G.W.: 0.493 kg



Reduction 2.1x5.5 Jack to 1.7x4.8Plug (S)

Center springs : Yes		
WEIGHT	1pc	N.W.: 5.2g / pc
PACKING	Plastic bag	100pcs
		G.W.: 0.516 kg



Reduction 2.1x5.5 Jack to 1.7x5.5 Plug (S)

Center springs : Yes		
WEIGHT	1pc	N.W.: 5.4g / pc
PACKING	Plastic bag	100pcs
		G.W.: 0.536 kg



Reduction 2.1x5.5 Jack to 2.1x5.5 Plug (L) 90°

Center springs : Yes		
WEIGHT	1pc	N.W.: 6.1g / pc
PACKING	Plastic bag	100pcs
		G.W.: 0.613 kg



Reduction 2.1x5.5 Jack to 2.5x5.5 Plug (S)

Center springs : Yes		
WEIGHT	1pc	N.W.: 6g / pc
PACKING	Plastic bag	100pcs
		G.W.: 0.601 kg



Reduction 2.1x5.5 Jack to 2.5x5.5 Plug (L)

Center springs : Yes		
WEIGHT	1pc	N.W.: 6.1g / pc
PACKING	Plastic bag	100pcs
		G.W.: 0.613 kg

