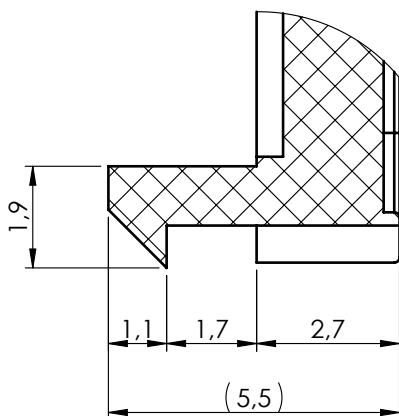
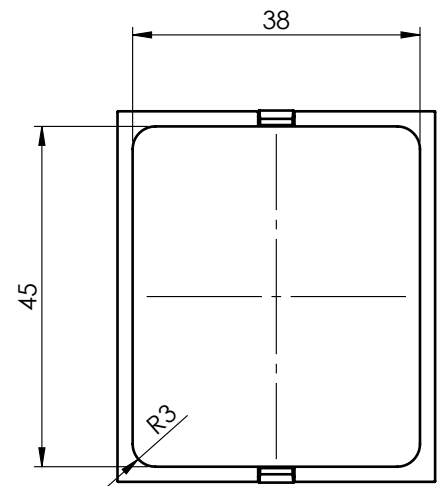


SECTION A-A

DETAIL B  
SCALE 7 : 1

## General information:

- Workpiece zero point for mechanical processing
- Minimum recommended radius for machining = R1.0 mm

General Tolerance UNI EN 22768/1 Media (m)					Sheet:	
from 0.5 to 3 ± 0.1	from 3 to 6 ± 0.1	from 6 to 30 ± 0.2	from 30 to 120 ± 0.3	from 120 to 400 ± 0.5	1	
Scale: 1:1	Drawn:	Checked: R.N.	Date: 31/05/2023	Material: PC/ABS-PC	Process: INJECTION	
Dimension in mm	The present drawing cannot be reproduced or communicated to 3rd parties, even partially, without the authorization of ITALTRONIC Srl. Italtronic reserves to protect its own rights according to the law.			Weight: 4.98 gr	Cod. Mold: ST.0511400	
<b>italtronic</b> enclosures for electronics italtronic.com			Description: PANNELLO MODULBOX CON CORNICE 3M PANEL MODULBOX WITH FRAME 3M			
Drawing nr.: <b>2_250_03703</b>				Rev.:	00 A4	