

SPECIFICATION

MATERIAL:

Housing:PBT+30%G. F UL94V-0

Contacts:Copper Alloy

ELECTRICAL:

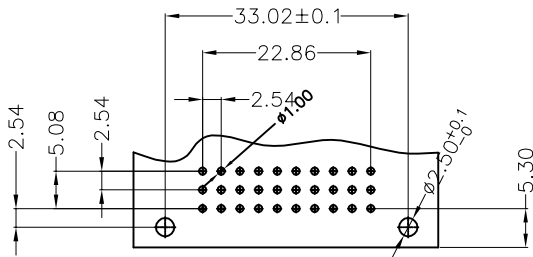
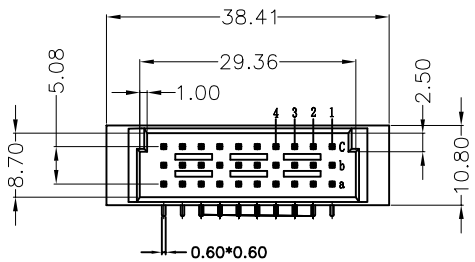
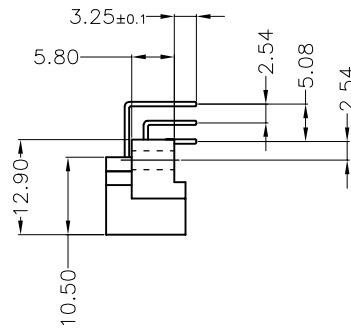
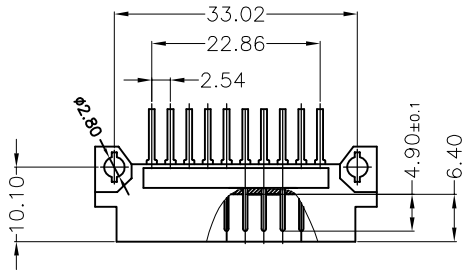
Current rating: 2 Amps .

Contact resistance: 20 mΩ initial

Insulation resistance: 1000 MΩ min @ 500 VDC

Dielectric withstanding voltage:1000 VAC/minute

Operating temperature: -55° C TO +125° C



PCB LAYOUT(RECOMMENDED)
(TOP VIEW TOL. :±0.05)

Pitch	Position	Rows with Contacts	Contact Arrange
2.54mm	30	A B C	
	20	A - C	
	10	A - -	
5.08mm	15	A B C	
	10	A - C	
	5	A - -	

9001- 1 5 30 1 C 00 A
 Series 1:2.54mm 5:Male Position 1:Dip Length C:Selective Gold Plated 00:G/F A:Tray Package
 2:5.08mm

公差一览表				TOLERANCE UNLESS OTHERWISE							
X.	±0.25	X'.	±5'	单位 UNITS	mm	制图 DRAWING	OD	产品名称 NAME	欧式插座 330弯针	DIN41612 90度公座	
.X	±0.20	.X'	±2'	角法 VIEW		设计 DESIGN	FGD				
.XX	±0.15	.XX'	±1'	比例 SCALE	1:1	审核 CHKD	FGD	产品料号 PART NO.	9001-15301C00A		
.XXX	±0.02	.XXX'	±0.5'	日期	2009.04.15	版本 VER	AO	核准 APPD	ZY	图号 DRAW NO	9001-15301C00A-A0